

THIS DRAWING IS UNPUBLISHED.

RELEASED FOR PUBLICATION

,19

© COPYRIGHT 19

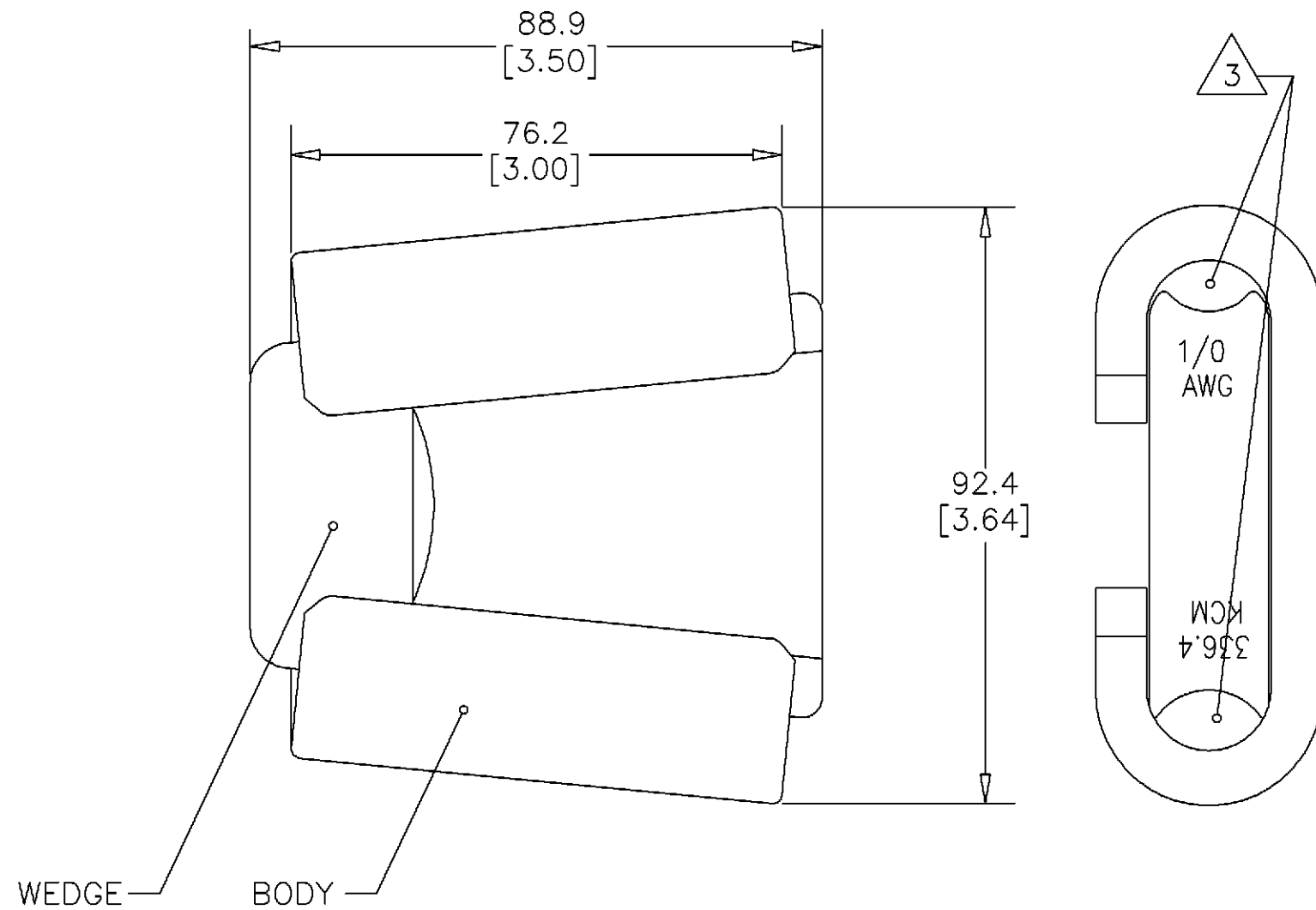
BY AMP INCORPORATED. ALL RIGHTS RESERVED.

LOC
BG

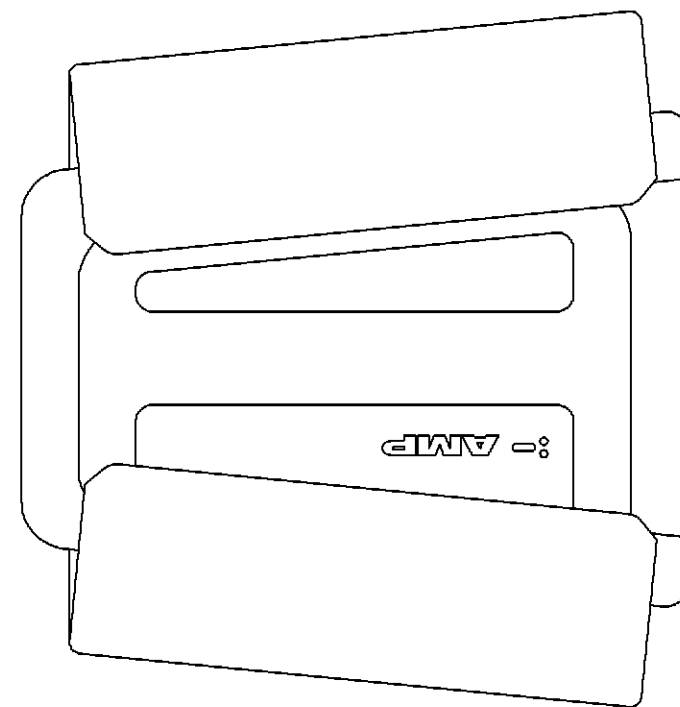
DIST
1

REVISIONS

P	LTR	DESCRIPTION	DATE	DWN	APVD
0		INITIAL RELEASE PER LC00-0120-97	30SEP97	DR	PC



1. DIMENSIONS ARE FOR REFERENCE ONLY
2. USE YELLOW CARTRIDGE, PART NUMBER 69338-4
3. INHIBITOR IS APPLIED AT FACTORY TO GROOVES OF BODY AND WEDGE
4. APPEARANCE OF WEDGE MAY VARY, AS SHOWN.



ALTERNATE WEDGE

602001
PART NO.

THIS DRAWING IS A CONTROLLED DOCUMENT FOR AMP INCORPORATED. IT IS SUBJECT TO CHANGE AND THE CONTROLLING ENGINEERING ORGANIZATION SHOULD BE CONTACTED FOR THE LATEST REVISION.		DRAWN BY: D.RENNOX 30/SEP/97	AMP AMP of Canada Ltd Markham, Ontario													
DIMENSIONS: mm [INCHES]		CHECKED BY: D.ALLEN 16/OCT/97	NAME													
TOLERANCES UNLESS OTHERWISE SPECIFIED:		APPROVED BY: P.CHAN 16/OCT/97	CONNECTOR, 336.4KCMIL TO 1/0AWG, 336.4 SERIES, YELLOW CODED, AMPACT													
<table border="1"> <tr><td>0 PLC</td><td>±-</td></tr> <tr><td>1 PLC</td><td>±0.8[.03]</td></tr> <tr><td>2 PLC</td><td>±-</td></tr> <tr><td>3 PLC</td><td>±-</td></tr> <tr><td>4 PLC</td><td>±-</td></tr> <tr><td>ANGLES</td><td>±-</td></tr> </table>		0 PLC	±-	1 PLC	±0.8[.03]	2 PLC	±-	3 PLC	±-	4 PLC	±-	ANGLES	±-	PRODUCT SPEC 108-13011	SIZE A3	CAGE CODE 00779
0 PLC	±-															
1 PLC	±0.8[.03]															
2 PLC	±-															
3 PLC	±-															
4 PLC	±-															
ANGLES	±-															
MATERIAL ALUMINUM ALLOY	FINISH -	APPLICATION SPEC -	DRAWING NO C- 602001	RESTRICTED TO -												
CUSTOMER DRAWING			SCALE 1:1	SHEET 1 OF 1												
			REV 0													