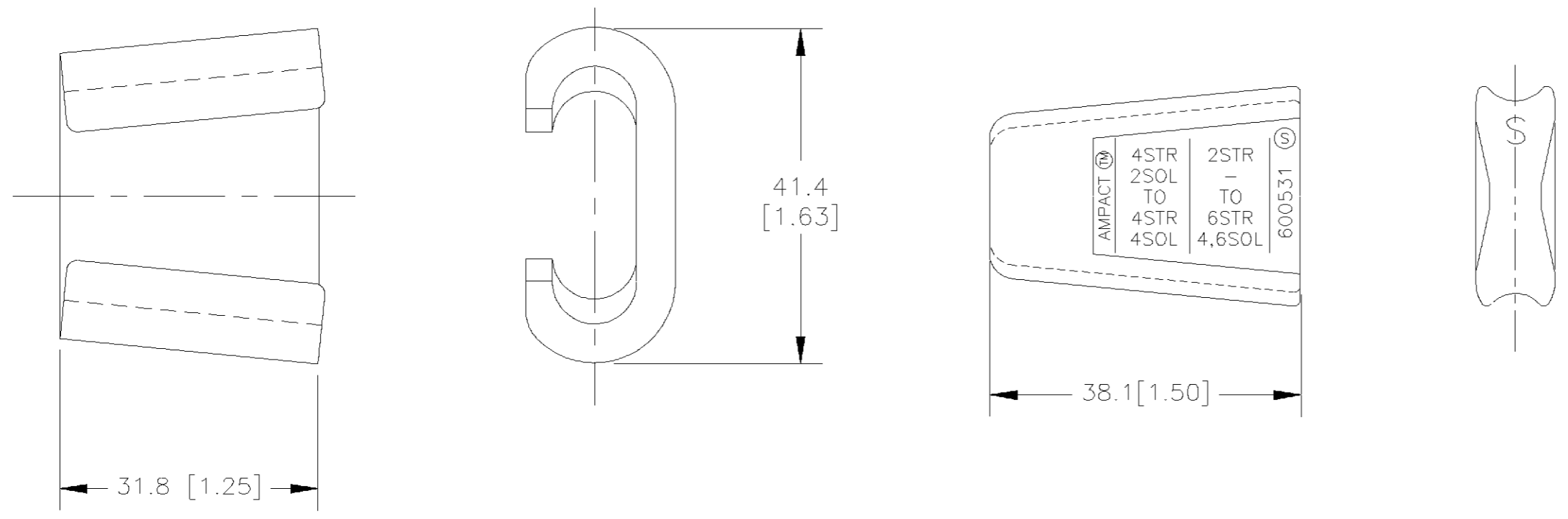
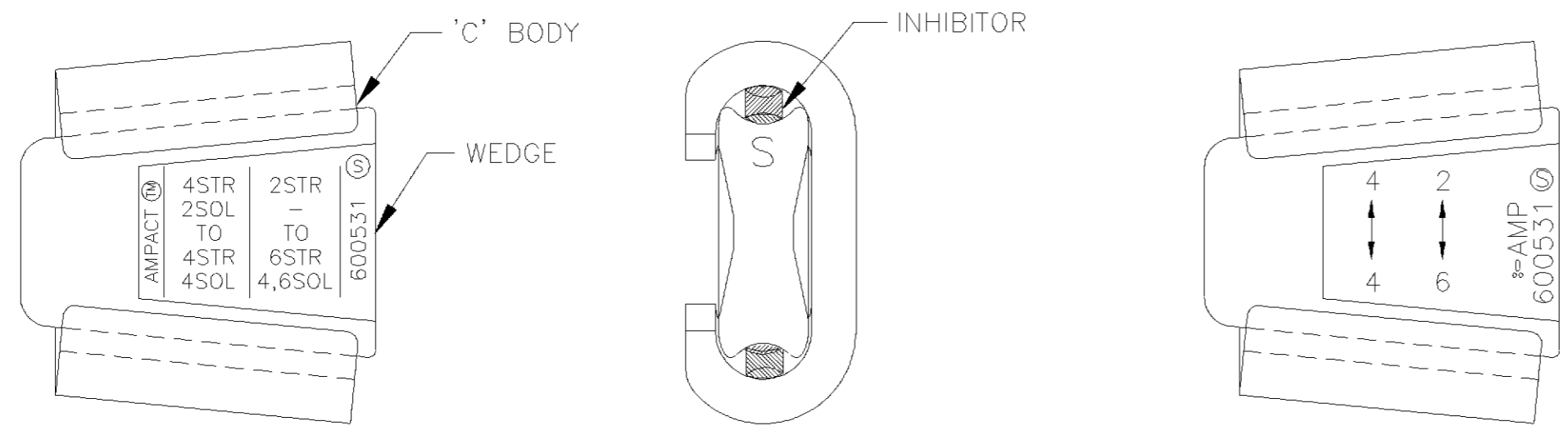


THIS DRAWING IS UNPUBLISHED. RELEASED FOR PUBLICATION .19
 © COPYRIGHT 19 BY AMP INCORPORATED. ALL RIGHTS RESERVED.

LOC		DIST		REVISIONS					
BG		1		P	LTR	DESCRIPTION	DATE	DWN	APVD
					C	REVISED PER EC LC00-0104-97	27NOV97	MC	PC



1. DIMENSIONS ARE FOR REFERENCE ONLY
2. INHIBITER IS APPLIED AT FACTORY TO GROOVES OF 'C' BODY AND WEDGE
3. WIRE SIZES ARE MARKED ON WEDGE.
4. USE RED CARTRIDGE PART #69338-2



600531
PART NO.

ALTERNATIVE MARKING

<small>THIS DRAWING IS A CONTROLLED DOCUMENT FOR AMP INCORPORATED. IT IS SUBJECT TO CHANGE AND THE CONTROLLING ENGINEERING ORGANIZATION SHOULD BE CONTACTED FOR THE LATEST REVISION.</small>		DWN G. GEE 22FEB95	AMP of Canada Ltd. Markham, Ontario
DIMENSIONS: mm [INCHES]		CHK J. SADABA 25 APR 95	
		APVD B. JOHNSON 29MAY95	NAME CONNECTOR, SMALL (RED CODED), #4-#4AWG & #2-#6AWG, AMPACT
TOLERANCES UNLESS OTHERWISE SPECIFIED: 0 PLC ±- 1 PLC ±- 2 PLC ±- 3 PLC ±- 4 PLC ±- ANGLES ±-		PRODUCT SPEC 108-13011	SIZE A3
MATERIAL ALUMINUM ALLOY		APPLICATION SPEC -	CAGE CODE 00779
FINISH NONE		WEIGHT -	DRAWING NO ©-600531
		CUSTOMER DRAWING	SCALE NTS
			SHEET 1 OF 1
			REV C