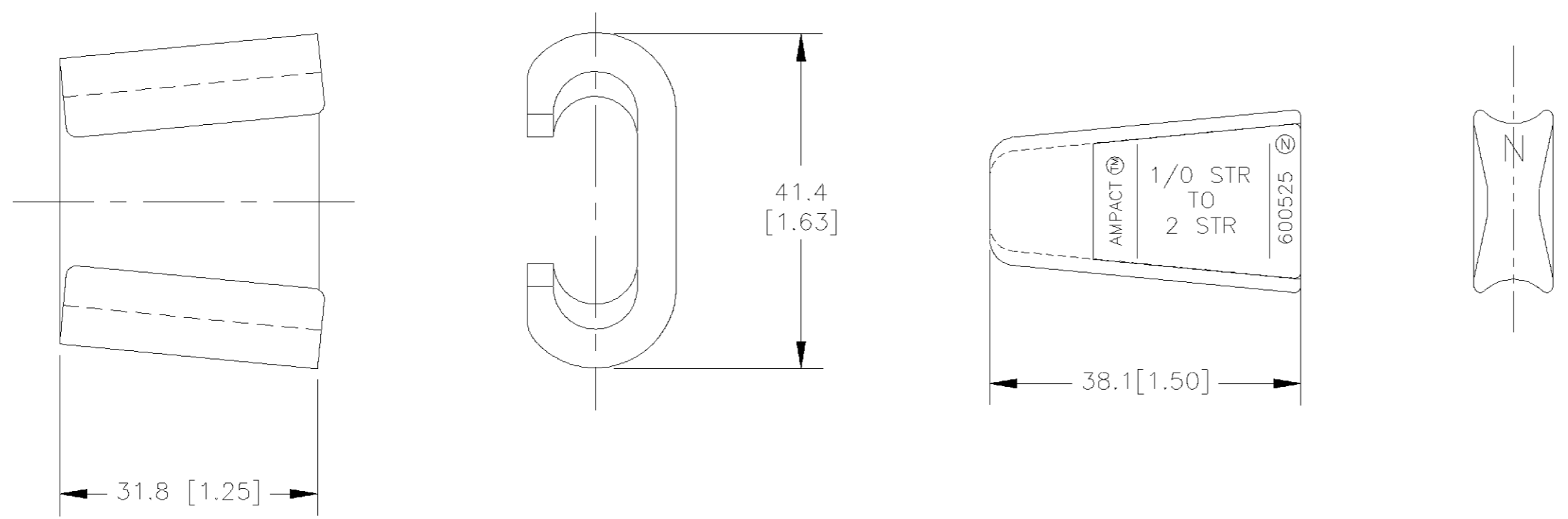
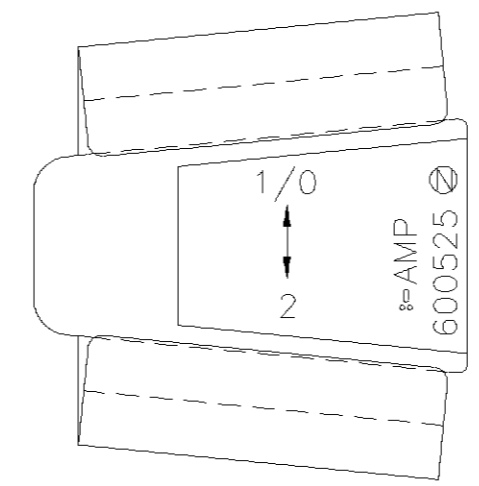
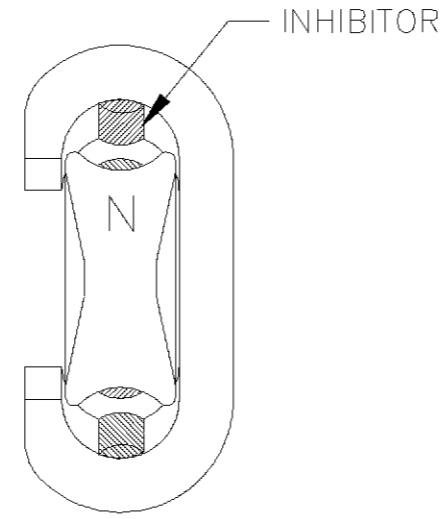
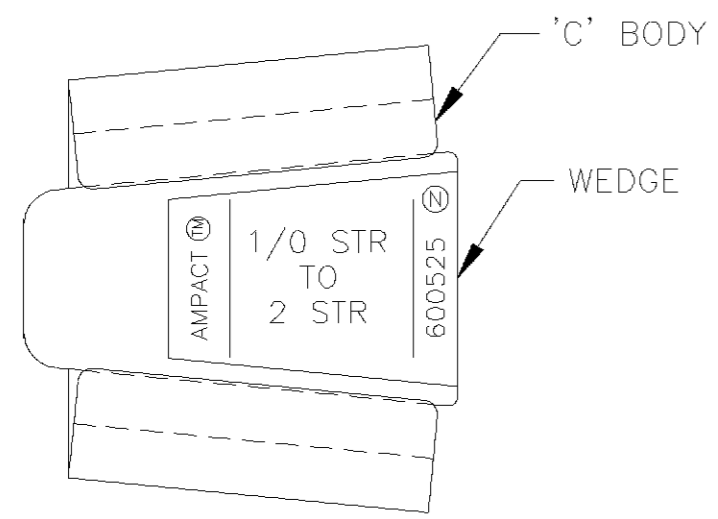


THIS DRAWING IS UNPUBLISHED. RELEASED FOR PUBLICATION .19 .
 © COPYRIGHT 19 BY AMP INCORPORATED. ALL RIGHTS RESERVED.

LOC	DIST	REVISIONS					
BG	1	P	LTR	DESCRIPTION	DATE	DWN	APVD
		C		REVISED PER EC LC00-0104-97	27NOV97	MC	PC



1. DIMENSIONS ARE FOR REFERENCE ONLY
2. INHIBITER IS APPLIED AT FACTORY TO GROOVES OF 'C' BODY AND WEDGE
3. WIRE SIZES ARE MARKED ON WEDGE.
4. USE RED CARTRIDGE PART #69338-2



ALTERNATIVE MARKING

600525
PART NO.

THIS DRAWING IS A CONTROLLED DOCUMENT FOR AMP INCORPORATED. IT IS SUBJECT TO CHANGE AND THE CONTROLLING ENGINEERING ORGANIZATION SHOULD BE CONTACTED FOR THE LATEST REVISION.		DWN G. GEE 22FEB95	AMP AMP of Canada Ltd. Markham, Ontario
		CHK J. SADABA 25 APR 95	
DIMENSIONS: mm [INCHES]	TOLERANCES UNLESS OTHERWISE SPECIFIED: 0 PLC ±- 1 PLC ±- 2 PLC ±- 3 PLC ±- 4 PLC ±- ANGLES ±-	APVD B. JOHNSON 29MAY95	NAME CONNECTOR, SMALL (RED CODED), 1/0AWG TO #2AWG, AMPACT
		PRODUCT SPEC 108-13011	SIZE A3
MATERIAL ALUMINUM ALLOY	FINISH NONE	APPLICATION SPEC -	CAGE CODE 00779
		WEIGHT -	DRAWING NO C-600525
		CUSTOMER DRAWING	SCALE NTS
			SHEET 1 OF 1
			REV C