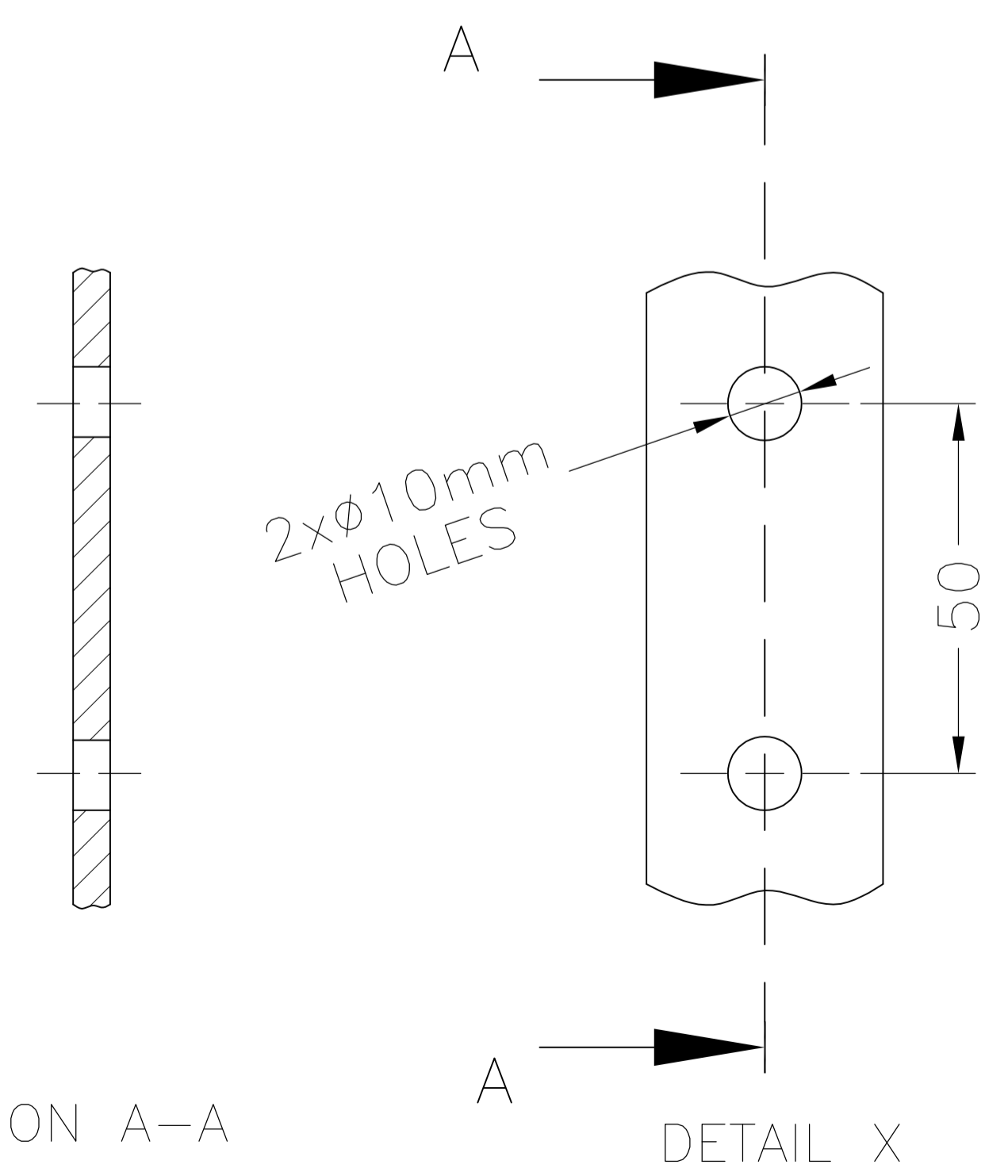
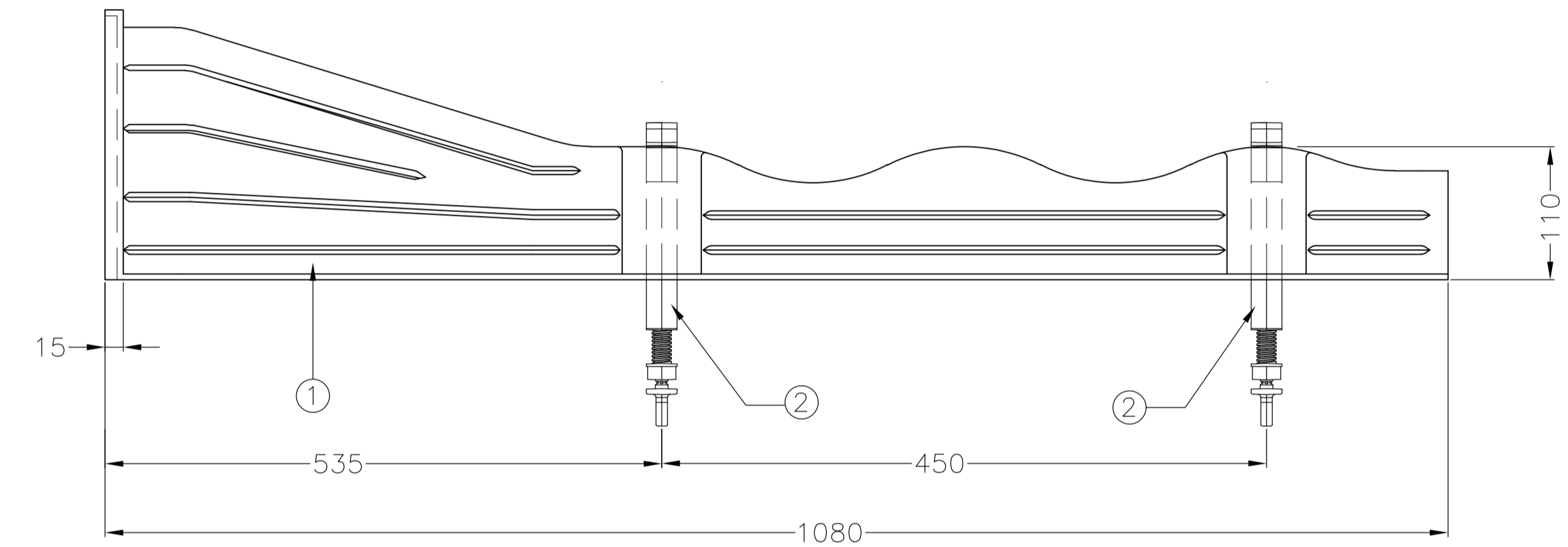
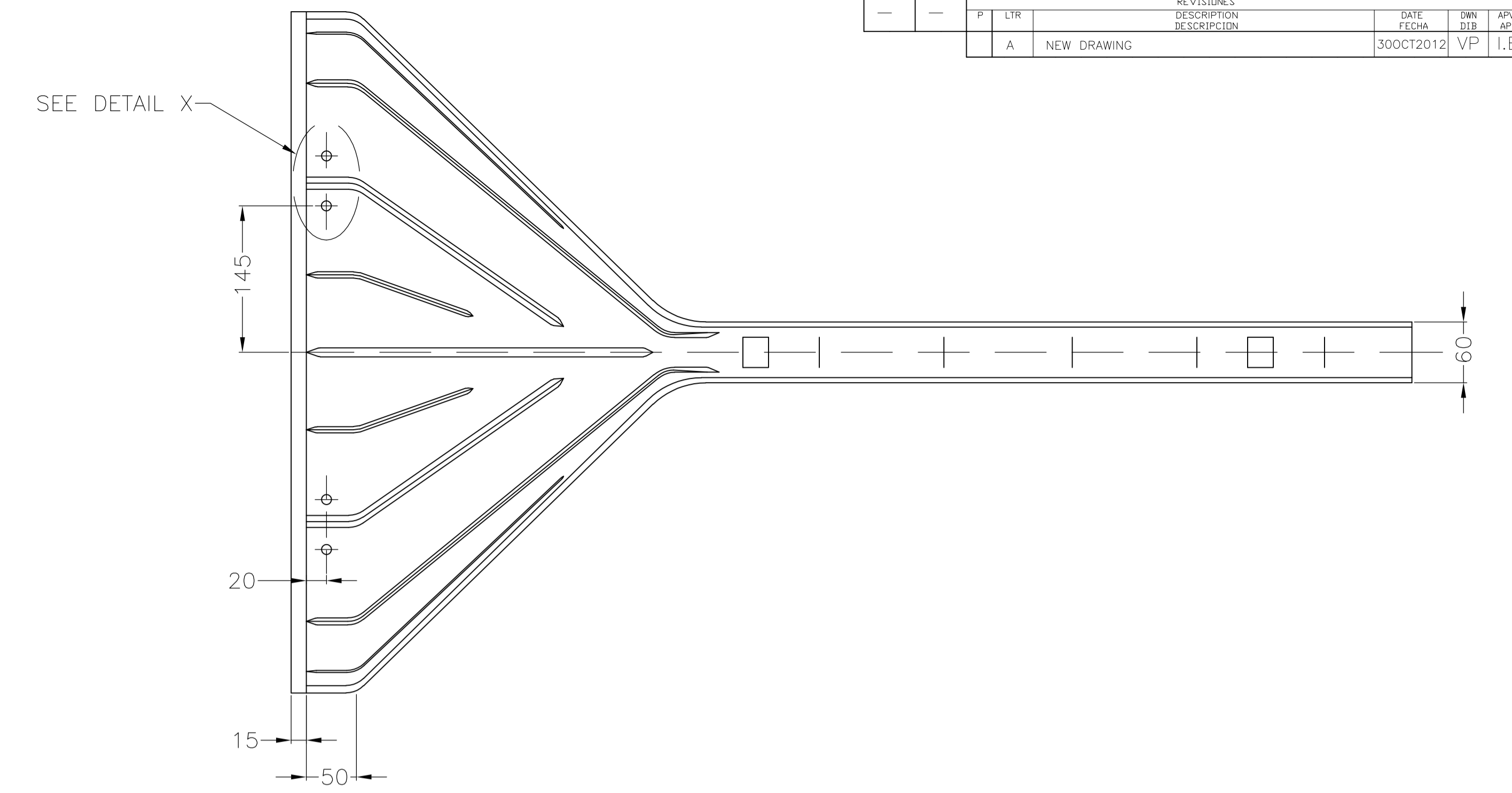
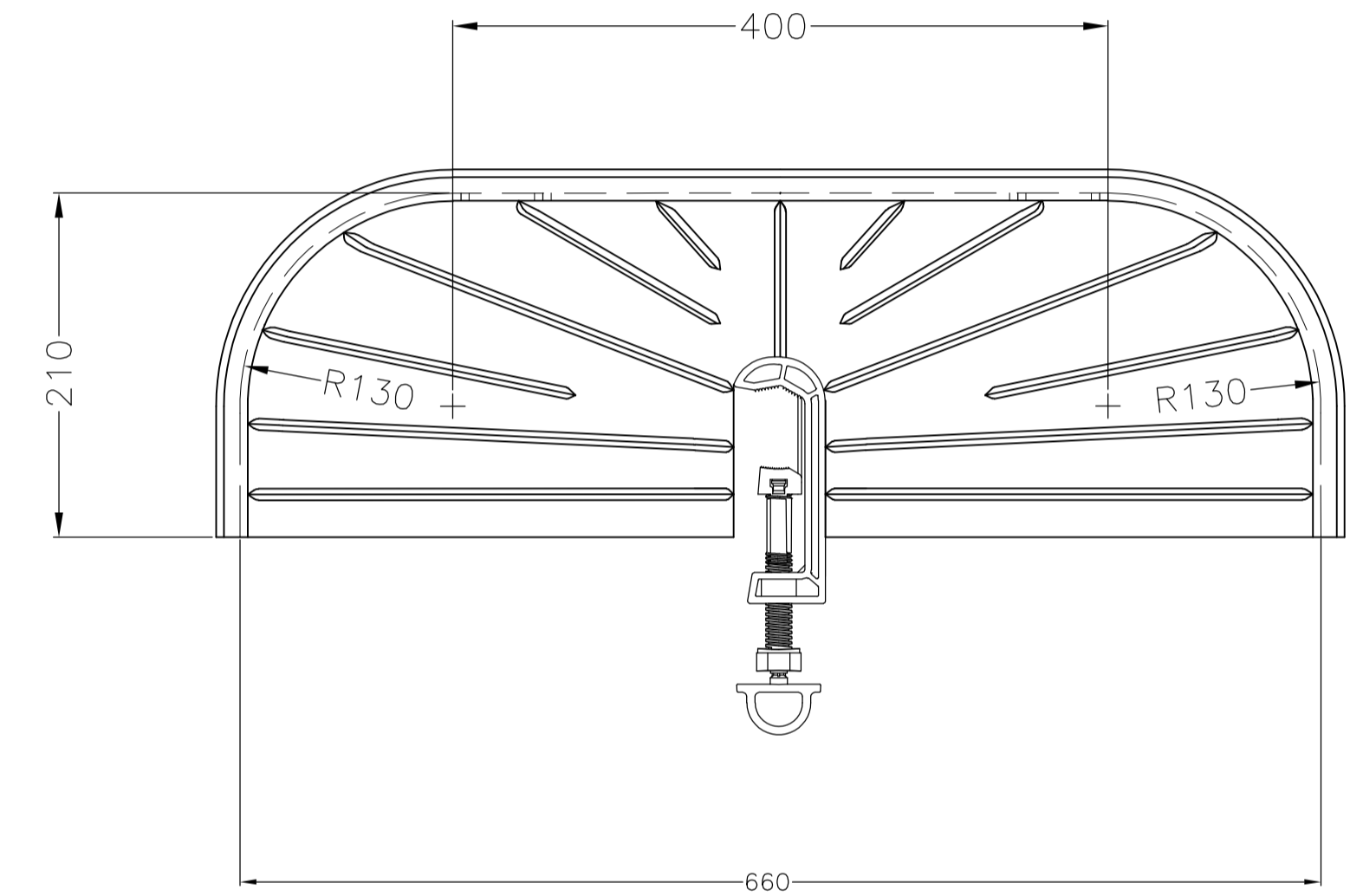


LOC	DIST	REV	DESCRIPTION	DATE	DWN	APVD
		F	LTR	FECHA	DIB	APR
		A	NEW DRAWING	30OCT2012	VP	I.B

VACUUM FORMING NOTES:

1. MATERIAL: 4.75MM BLACK LDPE SHEET
2. TWO OFF CLAMPS TO BE FORMED IN POSITION AS IN DRAWING.
3. MIN. WALL THICKNESS 2.5mm UNLESS OTHERWISE SPECIFIED.
4. TOLERANCES ± 3 UNLESS OTHERWISE SPECIFIED.
5. UP TO 25mm FLANGE PERMISSIBLE ALL ROUND.
6. NO WRINKLES OR PINCHES ARE PERMITTED.
7. COLD MARKS ARE ALLOWABLE AS LONG AS THE WALL THICKNESS IN THESE REGIONS MEETS ITEM 3 REQUIREMENT.
8. PART SHALL BE CLEAN OF DUST AND DEBRIS.
9. EACH PART SHALL BE EMBOSSED OR STAMPED WITH THE TE-RAYCHEM PART, DESCRIPTION AND MATERIAL LOT NUMBER. PRINTING MUST BE EXTERNALLY LEGIBLE ON THE FINISHED PRODUCT. MINIMUM LETTER HEIGHT 5mm.



1	INSTRUCTION	ESD-6086-DE-7/12
6	CABLE TIE	EPPA-024-7-500
3	BIRDCAP	BCIC-TEN-03
QTY	NOTES	ITEM

DIMENSIONS: mm		TOLERANCES UNLESS OTHERWISE SPECIFIED:		NAME / TITULO	
0	PLC/LUG	±	-	B. DONALD	
1	PLC/LUG	±	-	I. BOND	
2	PLC/LUG	±	-	NAME / TITULO	
3	PLC/LUG	±	-	Double Tension Insulator Bird Cap, Large	
4	PLC/LUG	±	-	BCIC-TEN-03(B3)	
MATERIAL		FINISH ACABADO		SIZE / TAMAÑO	SCALE / ESCALA
				A1	1:1
				00779	6-1899744-6
				CUSTOMER DRAWING/PLANO DE CLIENTE	SHEET 1 OF 1