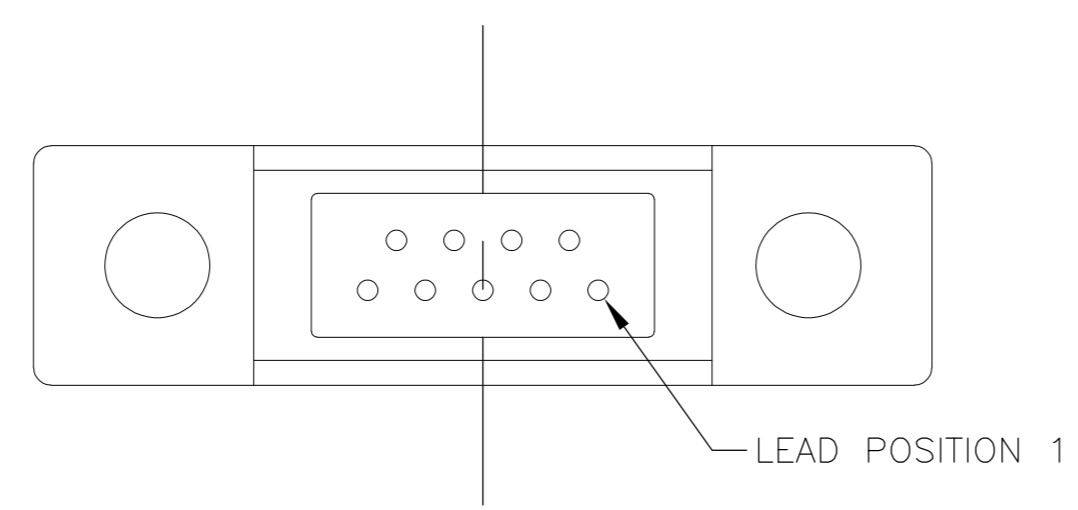
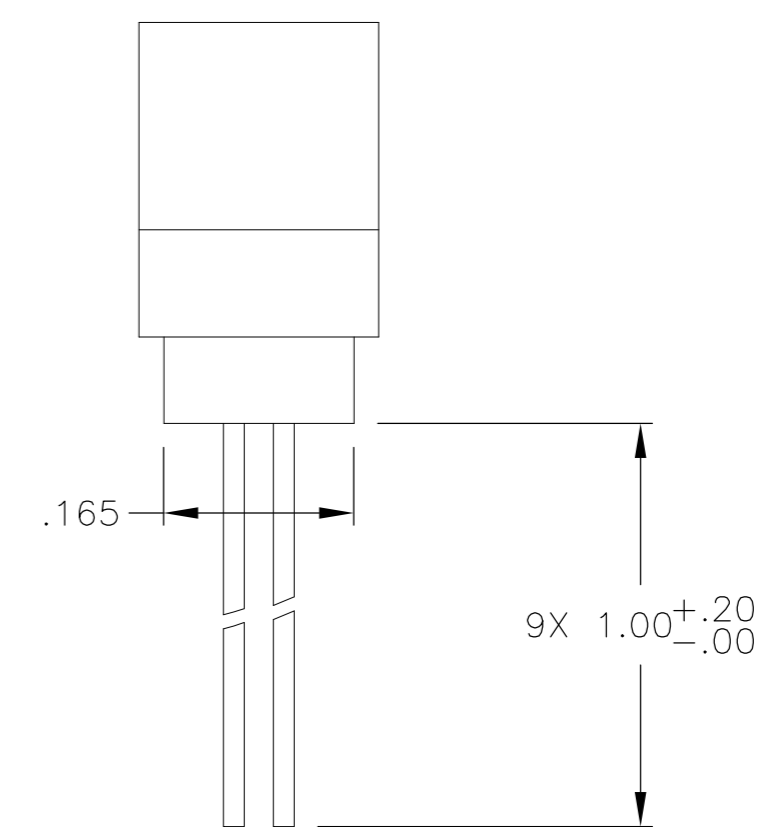
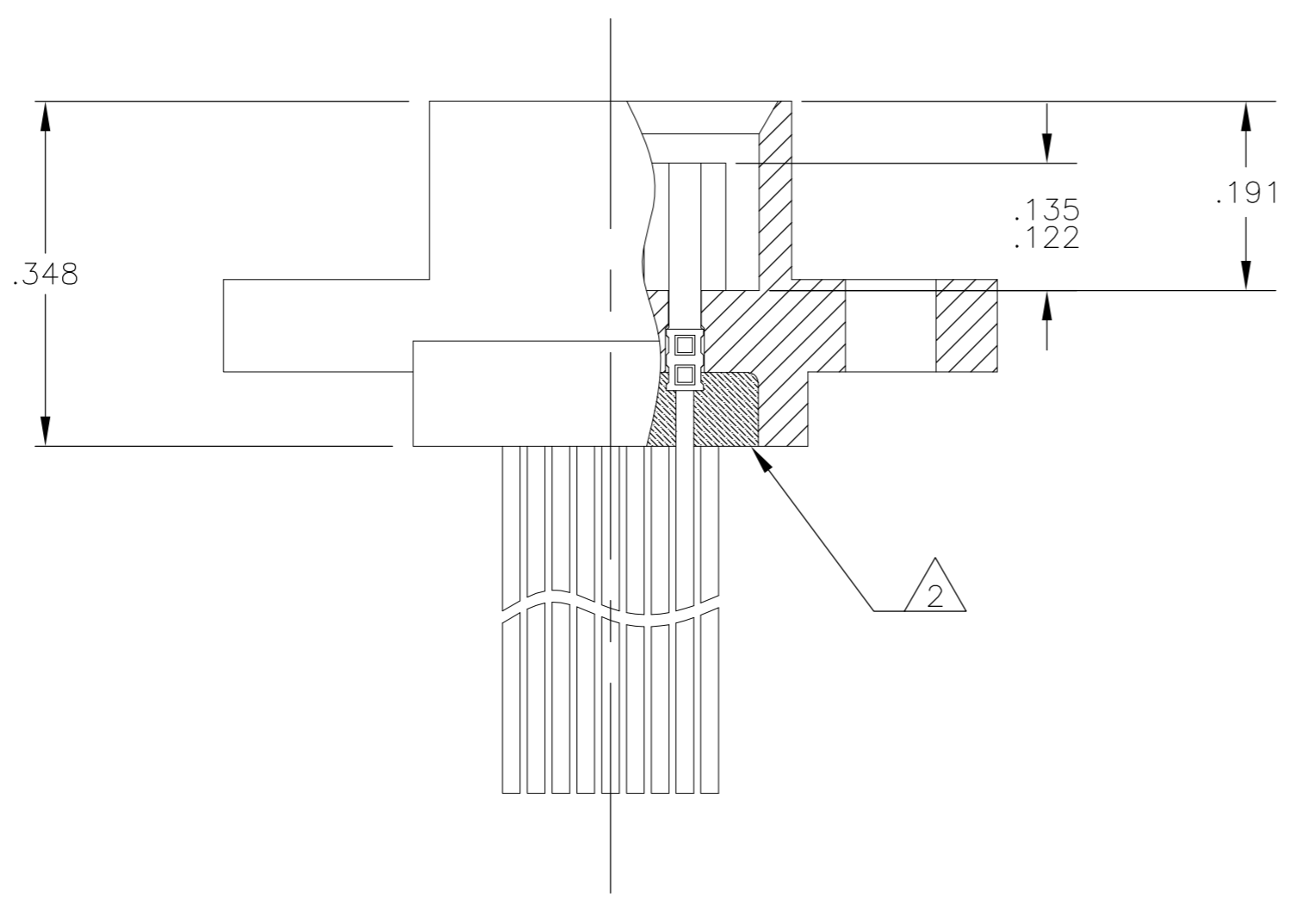
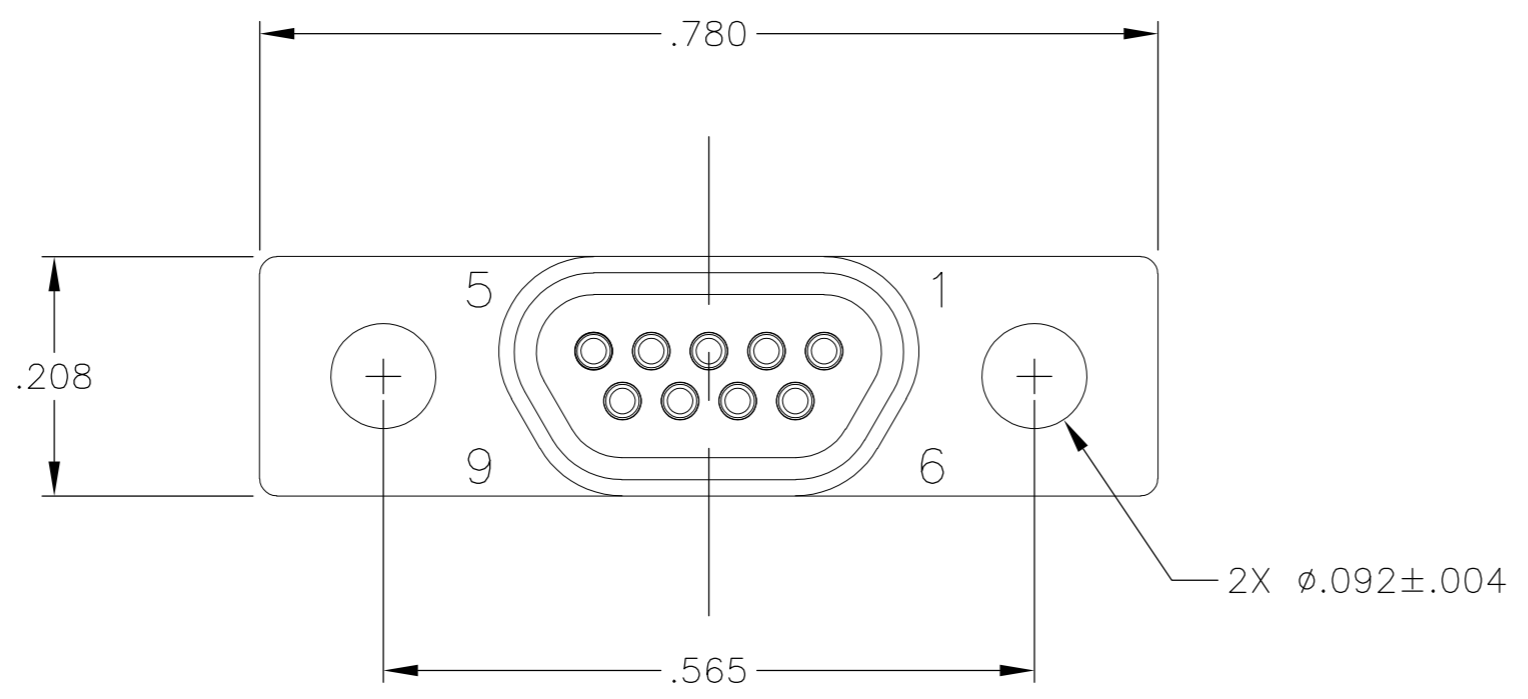


THIS DRAWING IS UNPUBLISHED. RELEASED FOR PUBLICATION
 © COPYRIGHT - By - ALL RIGHTS RESERVED.

LOC		DIST		REVISIONS			
P	LTR	DESCRIPTION	DATE	DWN	APVD		
	A1	UPDATE PER ECO-11-007825	04/13/11	PJS	CEP		



- 1 SHELL MAT'L: POLYPHENYLENE SULFIDE IN ACCORDANCE WITH ASTM D4037
 CONTACT MAT'L: COPPER ALLOY, GOLD PLATED
 LEAD MAT'L: COPPER ALLOY, GOLD PLATED AND Sn63Pb37 SOLDER DIPPED
- 2 NO EPOXY ABOVE NOTED SURFACE
- 3 THIS ASSEMBLY WILL MEET THE DIMENSIONAL AND PERFORMANCE REQUIREMENTS OF MIL-DTL-83513, BUT IS NOT QPL DUE TO INSULATOR MATERIAL.

THIS DRAWING IS A CONTROLLED DOCUMENT.		DWN M STORRY 26 MAR 08		
DIMENSIONS: INCHES		CHK M STORRY 26 MAR 08		
TOLERANCES UNLESS OTHERWISE SPECIFIED:		APVD M STORRY 26 MAR 08	NAME MCDR RECEPTACLE ASSEMBLY, 9 POSITION, 25AWG SOLID LEADS, RYTON INSULATOR, MICRODOT P/N 095-0604-2649	
0 PLC ± - 1 PLC ± - 2 PLC ± .01 3 PLC ± .005 4 PLC ± - ANGLES ± 1°		PRODUCT SPEC	SIZE A2	
MATERIAL		APPLICATION SPEC	CAGE CODE 98278	DRAWING NO 6-1532238-7
FINISH		WEIGHT	RESTRICTED TO	
1		CUSTOMER DRAWING	SCALE 6:1	SHEET 1 of 1
			REV A1	