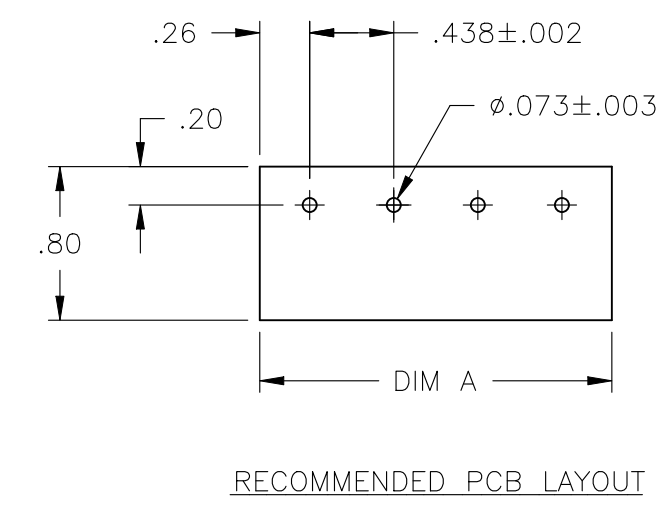
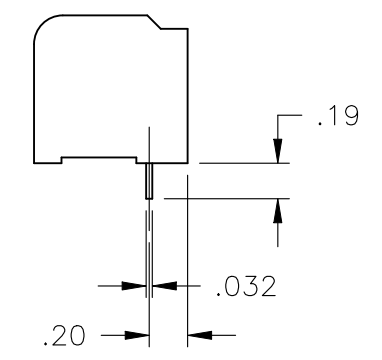
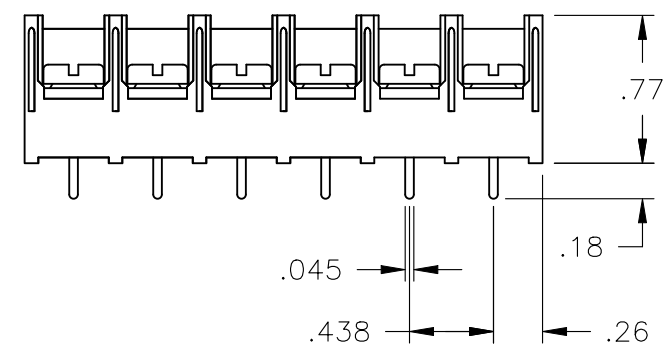
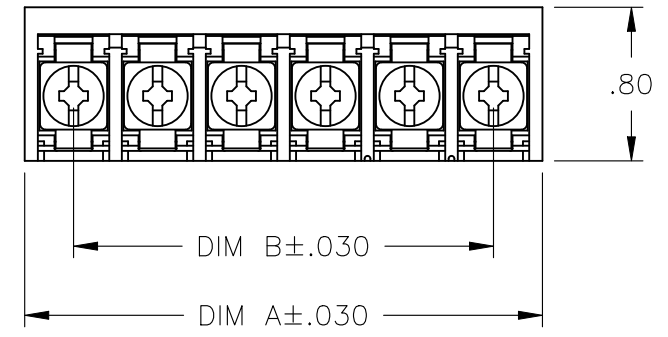


| REVISIONS |     |  |           |     |      |
|-----------|-----|--|-----------|-----|------|
| P         | LTR | DESCRIPTION                              | DATE      | DWN | APVD |
|           | K6  | TIGHTENING TORQUE CHANGED TO 15.94 LB-IN | 14SEP2023 | SP  | PS   |

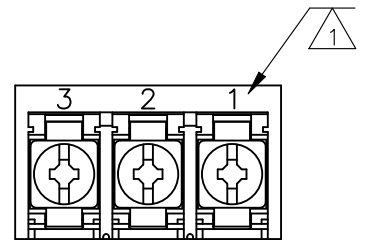


MATERIALS:  
 HOUSING: THERMOPLASTIC, UL94V-0, BLACK.  
 TERMINAL: BRIGHT TIN PLATED COPPER ALLOY.  
 SCREWS: 8-32 ZINC PLATED STEEL.

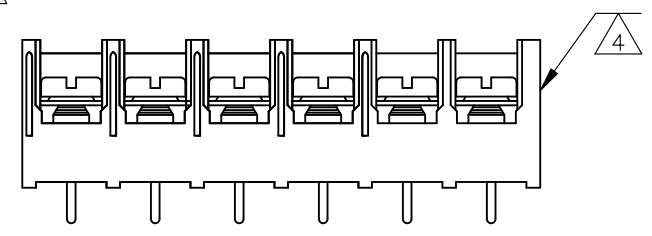
ELECTRICAL:  
 CURRENT RATING: 30A  
 VOLTAGE RATING: 600V  
 WIRE RANGE: 10-18 AWG (UL)  
 10-22 AWG (CSA)

MECHANICAL:  
 RECOMMENDED TIGHTENING TORQUE: 15.94 IN-LB  
 MAXIMUM TIGHTENING TORQUE: 20 IN-LB  
 OPERATING TEMP.: -40°C TO +120°C.

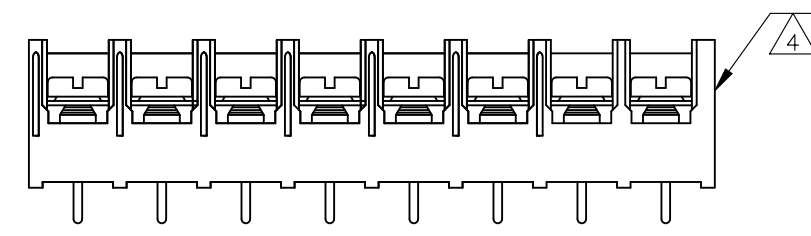
- 1 MARK WITH WHITE INK.
- 2 M4 THREAD IN TERMINAL, NO SCREWS INCLUDED.
- 3 ALL SCREWS TO BE BOTTOMED, EXCEPT AS NOTED.
- 4 SCREWS ON THIS ASSEMBLY WIRE READY.



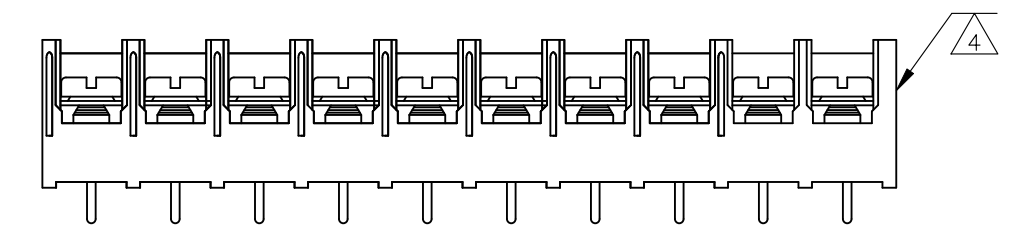
1546728-3



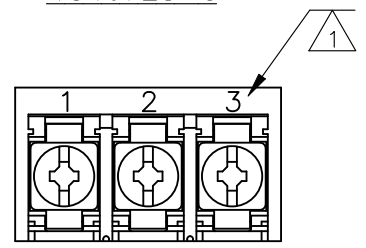
1986650-6



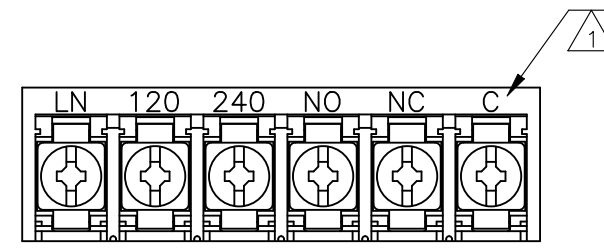
1986650-8



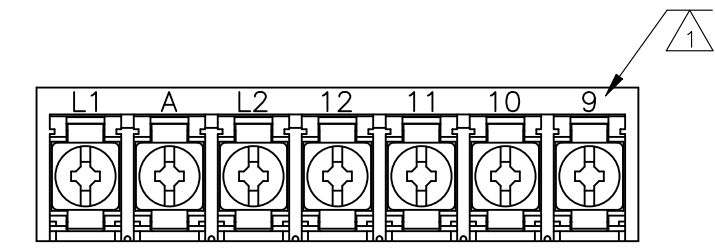
1-1986650-0



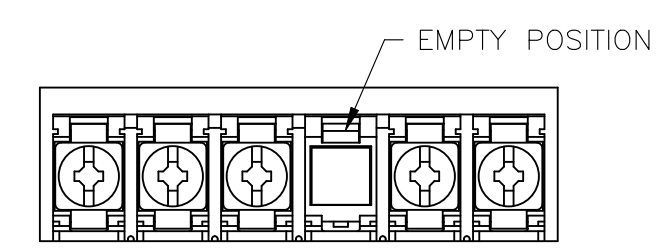
1546137-1



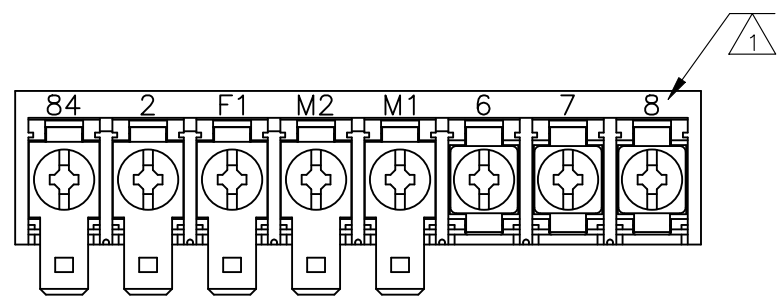
6-1546159-4



6-1546159-7



1546728-1



6-1546159-6

THIS DRAWING IS A CONTROLLED DOCUMENT.

| DIMENSIONS:<br>INCHES | TOLERANCES UNLESS<br>OTHERWISE SPECIFIED: |
|-----------------------|---|
|                       | 0 PLC ± -                                 |
|                       | 1 PLC ± -                                 |
|                       | 2 PLC ± .02                               |
|                       | 3 PLC ± .010                              |
|                       | 4 PLC ± -                                 |
|                       | ANGLES ± ± -                              |
| MATERIAL              | FINISH                                    |
| -                     | -   |

|                  |            |         |
|------------------|------------|---------|
| DWN              | S SCHLEGEL | 5/15/03 |
| CHK              | S YODER    | 5/15/03 |
| APVD             | S YODER    | 5/15/03 |
| PRODUCT SPEC     | -          |         |
| APPLICATION SPEC | -          |         |
| WEIGHT           | -          |         |
| CUSTOMER DRAWING |            |         |



|       |           |               |               |                      |  |
|-------|-----------|---------------|---------------|----------------------|--|
| NAME  |           |               |               | 8PCV-XX-006 ASSEMBLY |  |
| SIZE  | CAGE CODE | DRAWING NO    | RESTRICTED TO |                      |  |
| A3    | 00779     | C-6-1437657-3 | -             |                      |  |
| SCALE |           | SHEET         | REV           |                      |  |
| NTS   |           | 1 OF 2        | K6            |                      |  |

REVISIONS

| P | LTR | DESCRIPTION | DATE | DWN | APVD |
|---|-----|-------------|------|-----|------|
|   | -   | SEE SHEET 1 | -    | -   | -    |

OBSOLETE


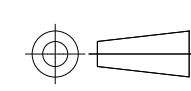
SUPERCEDED BY 8-1437657-8

SUPERCEDED BY 8-1437657-0

SUPERCEDED BY 5-1437657-7

| REV | DESCRIPTION               | DATE  | DWN   | APVD | PART NO     |             |
|-----|---------------------------|-------|-------|------|-------------|-------------|
| 2   | -                         | .875  | 1.385 | 3    | -           | 1546728-5   |
| -   | -                         | 8.312 | 8.822 | 20   | 8PCV-20-006 | 8-1546159-2 |
| -   | -                         | 7.875 | 8.385 | 19   | 8PCV-19-006 | 1546728-2   |
| -   | -                         | 7.438 | 7.948 | 18   | 8PCV-18-006 | 7-1437658-2 |
| -   | -                         | 7.000 | 7.510 | 17   | 8PCV-17-006 | 8-1546159-1 |
| -   | -                         | 6.563 | 7.073 | 16   | 8PCV-16-006 | 6-1437658-6 |
| -   | -                         | 6.125 | 6.635 | 15   | 8PCV-15-006 | 8-1437659-0 |
| -   | -                         | 5.688 | 6.198 | 14   | 8PCV-14-006 | 6-1437658-0 |
| -   | -                         | 5.250 | 5.760 | 13   | 8PCV-13-006 | 5-1437658-5 |
| -   | -                         | 4.813 | 5.323 | 12   | 8PCV-12-006 | 4-1437658-5 |
| -   | -                         | 4.375 | 4.885 | 11   | 8PCV-11-006 | 4-1437658-0 |
| -   | -                         | 3.938 | 4.448 | 10   | 8PCV-10-006 | 3-1437658-3 |
| -   | SEE FIGURE                | 3.938 | 4.448 | 10   | 8PCV-10-050 | 1-1986650-0 |
| -   | -                         | 3.500 | 4.010 | 9    | 8PCV-09-006 | 7-1546159-1 |
| -   | SEE FIGURE                | 3.063 | 3.573 | 8    | 8PCV-08-502 | 6-1546159-9 |
| -   | -                         | 3.063 | 3.573 | 8    | 8PCV-08-006 | 2-1437658-1 |
| -   | SEE FIGURE                | 3.063 | 3.573 | 8    | 8PCV-08-050 | 1986650-8   |
| -   | SEE FIGURE                | 2.625 | 3.135 | 7    | 8PCV-07-598 | 6-1546159-7 |
| -   | -                         | 2.625 | 3.135 | 7    | 8PCV-07-623 | 1-1437658-6 |
| -   | -                         | 2.625 | 3.135 | 7    | 8PCV-07-006 | 1-1437658-1 |
| -   | SEE FIGURE                | 2.187 | 2.697 | 6    | 8PCV-06-050 | 1986650-6   |
| -   | SEE FIGURE                | 2.187 | 2.697 | 6    | 8PCV-06-050 | 1546728-1   |
| -   | SEE FIGURE                | 2.187 | 2.697 | 6    | 8PCV-06-538 | 6-1546159-4 |
| -   | -                         | 2.187 | 2.697 | 6    | 8PCV-06-006 | 9-1437657-8 |
| -   | SUPERCEDED BY 8-1437657-8 | 1.750 | 2.260 | 5    | 8PCV-05-637 | 9-1437657-4 |
| -   | -                         | 1.750 | 2.260 | 5    | 8PCV-05-006 | 8-1437657-8 |
| -   | SUPERCEDED BY 8-1437657-0 | 1.312 | 1.822 | 4    | 8PCV-04-636 | 8-1437657-3 |
| -   | -                         | 1.312 | 1.822 | 4    | 8PCV-04-006 | 8-1437657-0 |
| -   | SEE FIGURE                | .875  | 1.385 | 3    | 8PCV-03-662 | 1546728-3   |
| -   | SEE FIGURE                | .875  | 1.385 | 3    | 8PCV-03-657 | 1546137-1   |
| -   | -                         | .875  | 1.385 | 3    | 8PCV-03-006 | 6-1437657-9 |
| -   | -                         | .437  | .947  | 2    | 8PCV-02-006 | 5-1437657-7 |
| -   | SUPERCEDED BY 5-1437657-7 | .437  | .947  | 2    | 8PCV-02-634 | 6-1437657-3 |

| COMMENTS | DIM B | DIM A | NO OF POS | CATALOG NUMBER | PART NO |
|----------|-------|-------|-----------|----------------|---------|
|----------|-------|-------|-----------|----------------|---------|

|   |  |                              |  |           |               |
|---|--|------------------------------|--|-----------|---------------|
| THIS DRAWING IS A CONTROLLED DOCUMENT.  |  | DWN<br>S SCHLEGEL<br>5/15/03 |  TE Connectivity Ltd. |           |               |
| DIMENSIONS:<br>INCHES   |  | CHK<br>S YODER<br>5/15/03    |  |           |               |
|  |  | APVD<br>S YODER<br>5/15/03   | NAME<br>8PCV-XX-006 ASSEMBLY   |           |               |
| TOLERANCES UNLESS OTHERWISE SPECIFIED:  |  | PRODUCT SPEC                 | APPLICATION SPEC   |           |               |
| 0 PLC ± -<br>1 PLC ± -<br>2 PLC ± .02<br>3 PLC ± .010<br>4 PLC ± -<br>ANGLES ± -      |  | WEIGHT                       | SIZE   | CAGE CODE | DRAWING NO    |
| MATERIAL  |  | FINISH                       | A300779  |           | C-6-1437657-3 |
|   |  | CUSTOMER DRAWING             |  | SCALE     | SHEET         |
|   |  |                              |  | NTS       | 2 OF 2        |
|   |  |                              |  | REV       | K6            |