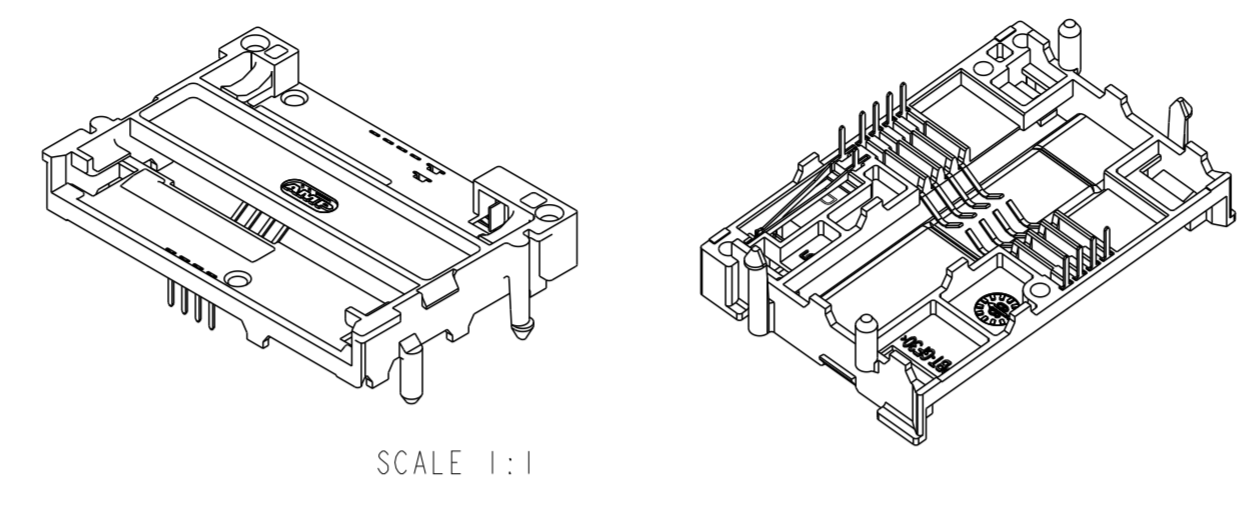
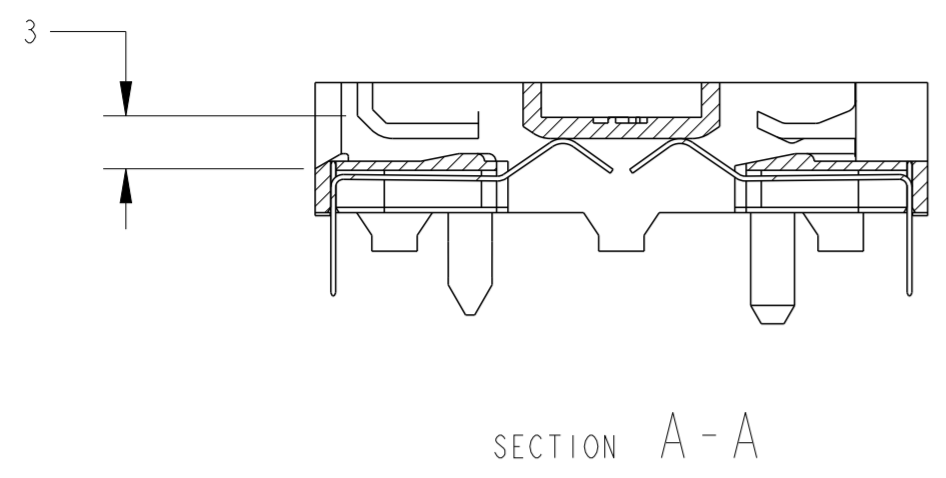
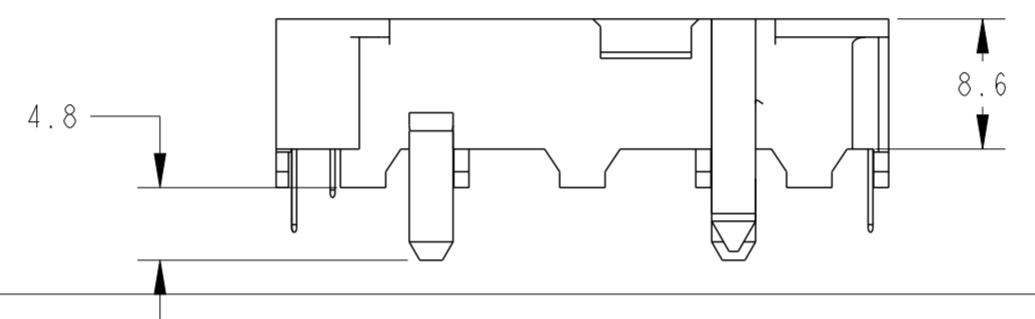
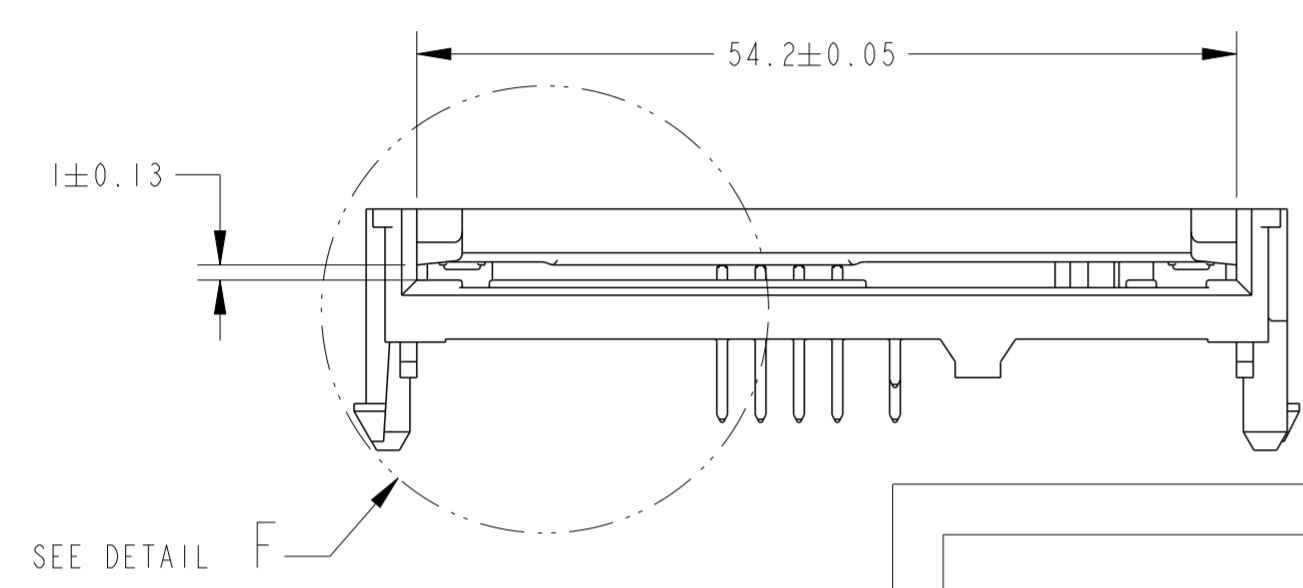


THIS DRAWING IS UNPUBLISHED. RELEASED FOR PUBLICATION
 © COPYRIGHT - ALL RIGHTS RESERVED.

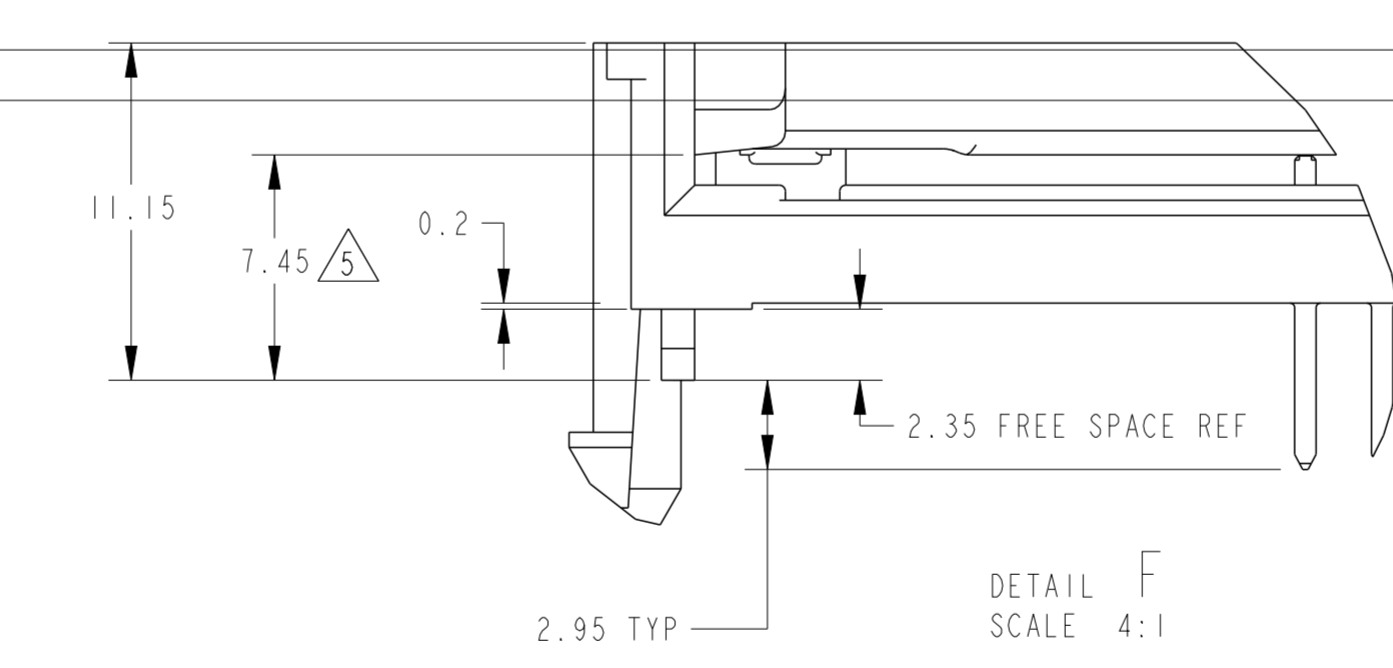
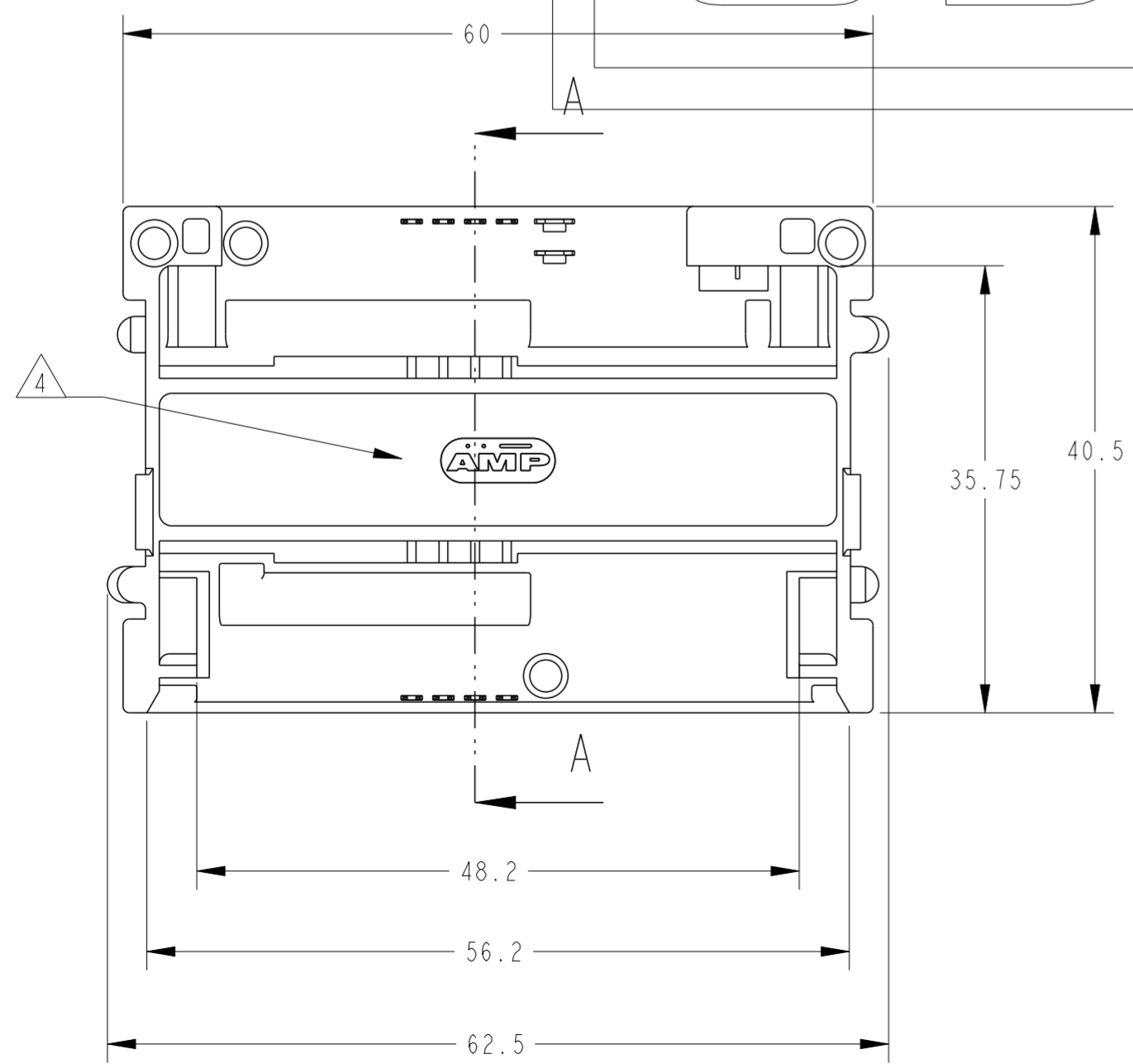
LOC		DIST		REVISIONS			
P	LTR	DESCRIPTION	DATE	DWN	APVD		
	D	ECR-11-025634	20DEC2011	GG	RRP		
	E	REVISED PER ECN-23-199527	08MAR2023	AB	SZ		



- NOTES:
- CONTACTS PLATING :
- 1 OVERALL: Ni 2µm MIN, ALL OVER THE CONTACTS.
 SOLDER ZONE: Sn 2.5µm MIN ON THE SOLDER ZONE OF THE CONTACTS.
 MATING ZONE: PLATING CONFIRMS TO PRODUCT REQUIREMENTS AS PER SPECIFICATION 108-15202.
 - 2 MATERIAL :
 - 3 HOUSING: PBT-GF, BLACK UL 94V0.
 CONTACTS: PHOSPHOR BRONZE.
 - 4 TE SMART CARD RECEPTACLE DESIGNED TO ACCEPT ISO 7810-7816 TYPE INTEGRATED CIRCUIT SMART CARDS (0.76MM REF. THICKNESS) SEE SHEET 2/2
 - 5 LOGO SHAPE AND POSITION VARY DEPENDING ON MOLD CAVITY NUMBER.
 - 6 DIMENSION APPLICABLE IN CARD CONTACT AREA ONLY SURFACE VARY DEPENDING ON MOLD CAVITY NUMBER



OBSOLETE

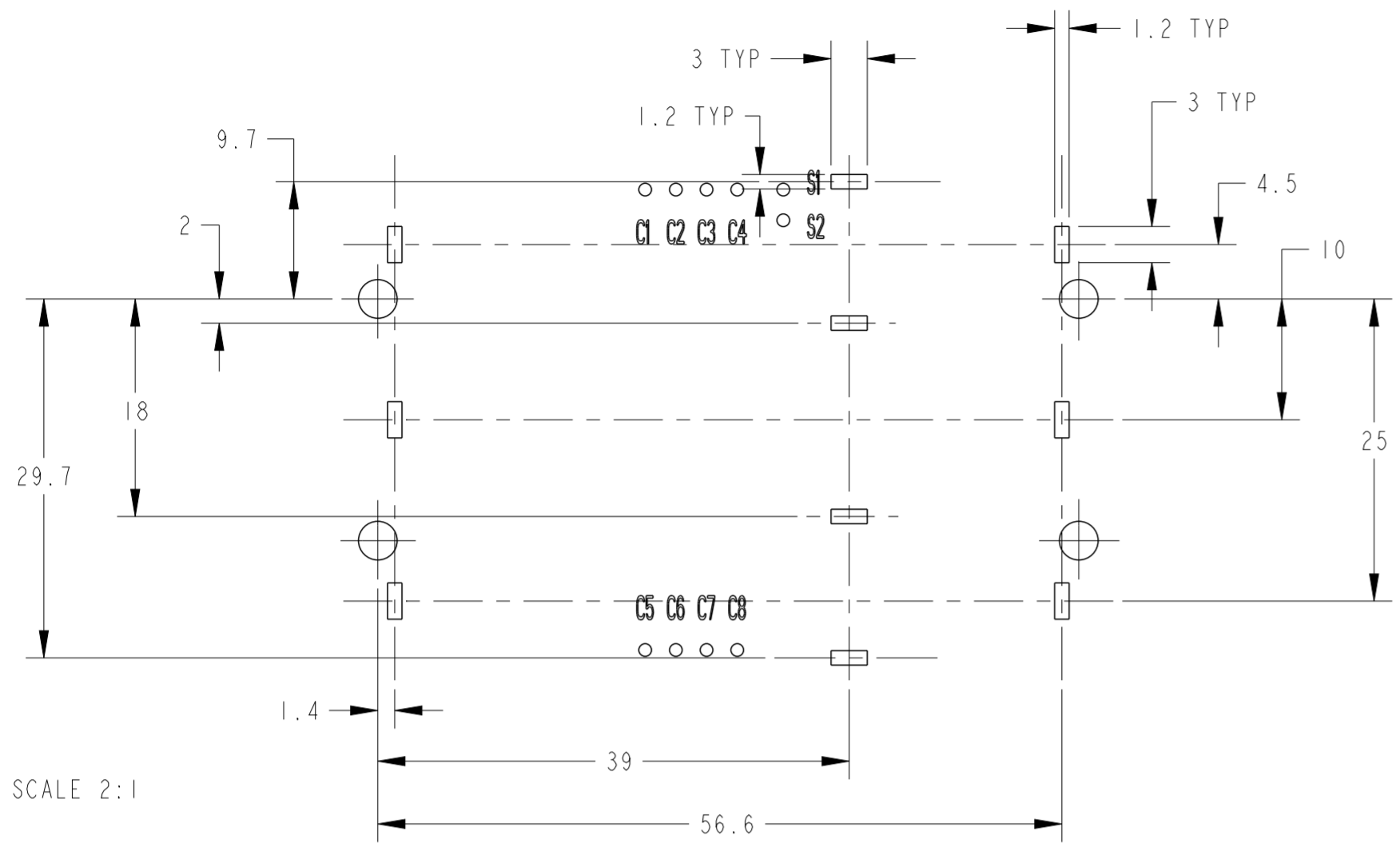


PartNumber: 5953438-1 8 POSITIONS ISO 7816

THIS DRAWING IS A CONTROLLED DOCUMENT.		DWN R. Coolen 16 Dec 04	TE Connectivity	
DIMENSIONS: mm		CHK W. Jansen		
TOLERANCES UNLESS OTHERWISE SPECIFIED:		APVD P. Jaeger	NAME SMART CARD READER 0.76mm, PCB MOUNT THROUGH HOLE, RAISED PROFILE BLADE SWITCH NORMALLY CLOSED	
0 PLC ±0.5		PRODUCT SPEC 108-15202	SIZE A2	CAGE CODE C-5953438
1 PLC ±0.3		APPLICATION SPEC	RESTRICTED TO	
2 PLC ±0.03		WEIGHT 9 g	SCALE 2:1	SHEET 1 OF 2
3 PLC ±0.001		CUSTOMER DRAWING	REV E	
4 PLC ±0.0001				
ANGLES ±				
FINISH				

THIS DRAWING IS UNPUBLISHED. RELEASED FOR PUBLICATION
 © COPYRIGHT - ALL RIGHTS RESERVED.

LOC		DIST		REVISIONS			
P	LTR	DESCRIPTION	DATE	DWN	APVD		
IR	-	SEE SHEET 1	-	-	-		



SCALE 2:1

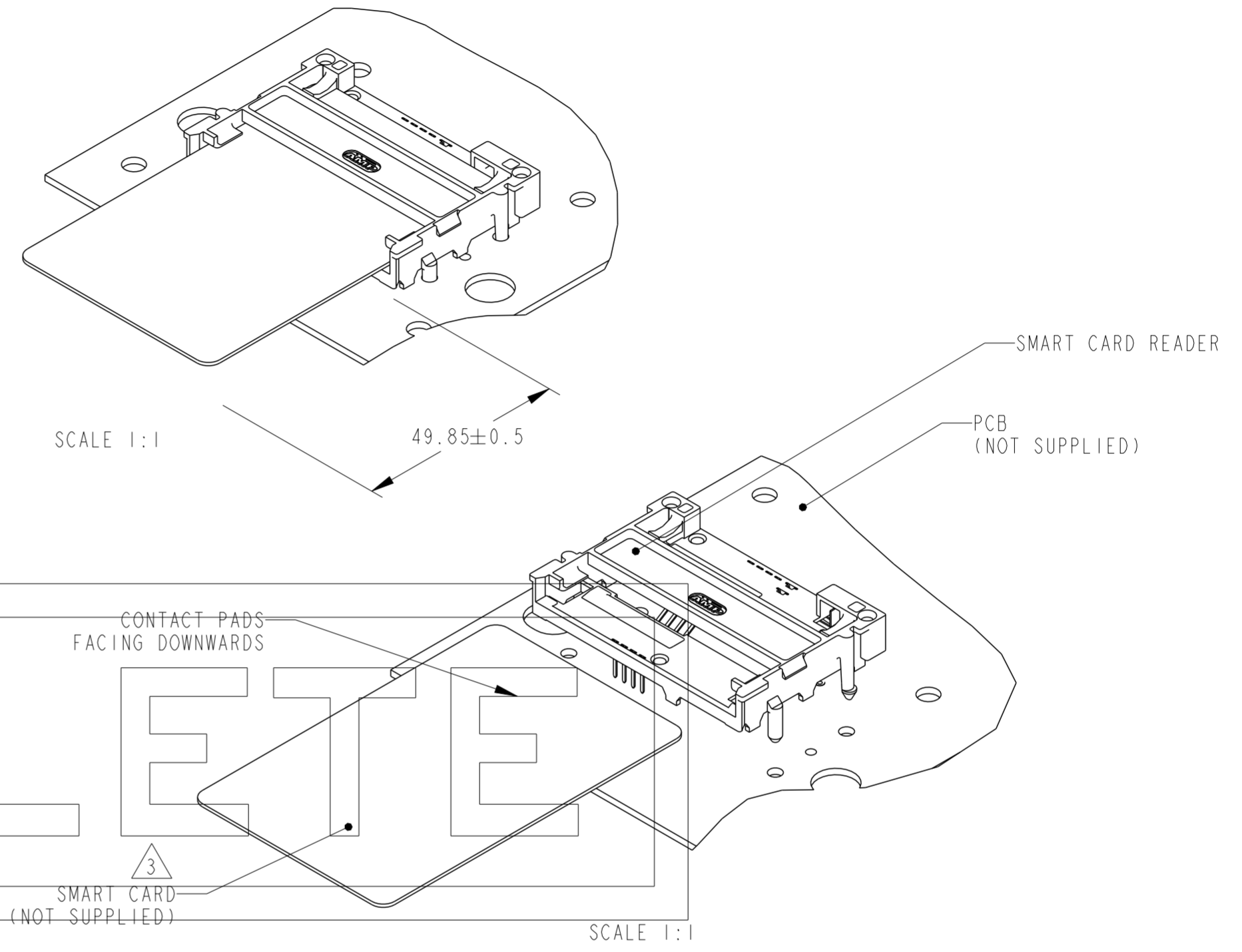
STANDOFF AREA
 SPACE WITHOUT COMPONENTS
 (CONNECTOR SIDE)

IOBSOLETTE

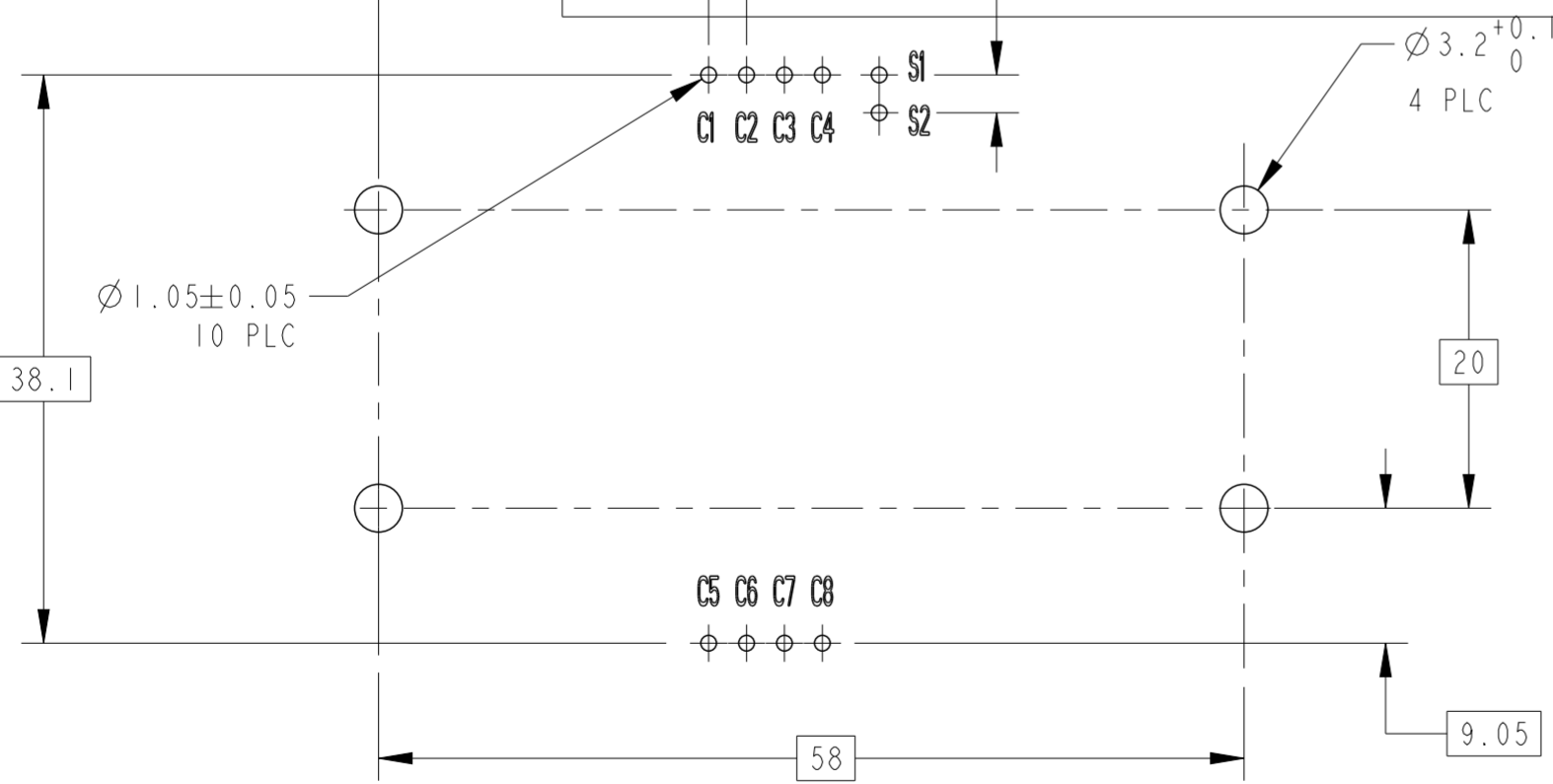
CONTACT PADS
 FACING DOWNWARDS

SMART CARD
 (NOT SUPPLIED)

SCALE 1:1



PCB MOUNTING CONFIGURATION



POSITION TOLERANCE FOR ALL HOLES $\pm \phi 0.1$

PC BOARD THICKNESS 1.57 ± 0.1 (.062)
 (CONNECTOR SIDE)

RECOMMENDED PCB LAYOUT

THIS DRAWING IS A CONTROLLED DOCUMENT.		DWN R. Coolen	16 Dec 04	TE Connectivity	
DIMENSIONS: mm		CHK W. Jansen	APVD P. Jaeger		
TOLERANCES UNLESS OTHERWISE SPECIFIED:		PRODUCT SPEC		SIZE A2	CAGE CODE
0 PLC ±0.5 1 PLC ±0.3 2 PLC ±0.03 3 PLC ±0.001 4 PLC ±0.0001 ANGLES ±		APPLICATION SPEC		DRAWING NO G-5953438	RESTRICTED TO
MATERIAL		WEIGHT		SCALE 2:1	SHEET 2 OF 2
		CUSTOMER DRAWING		REV E	