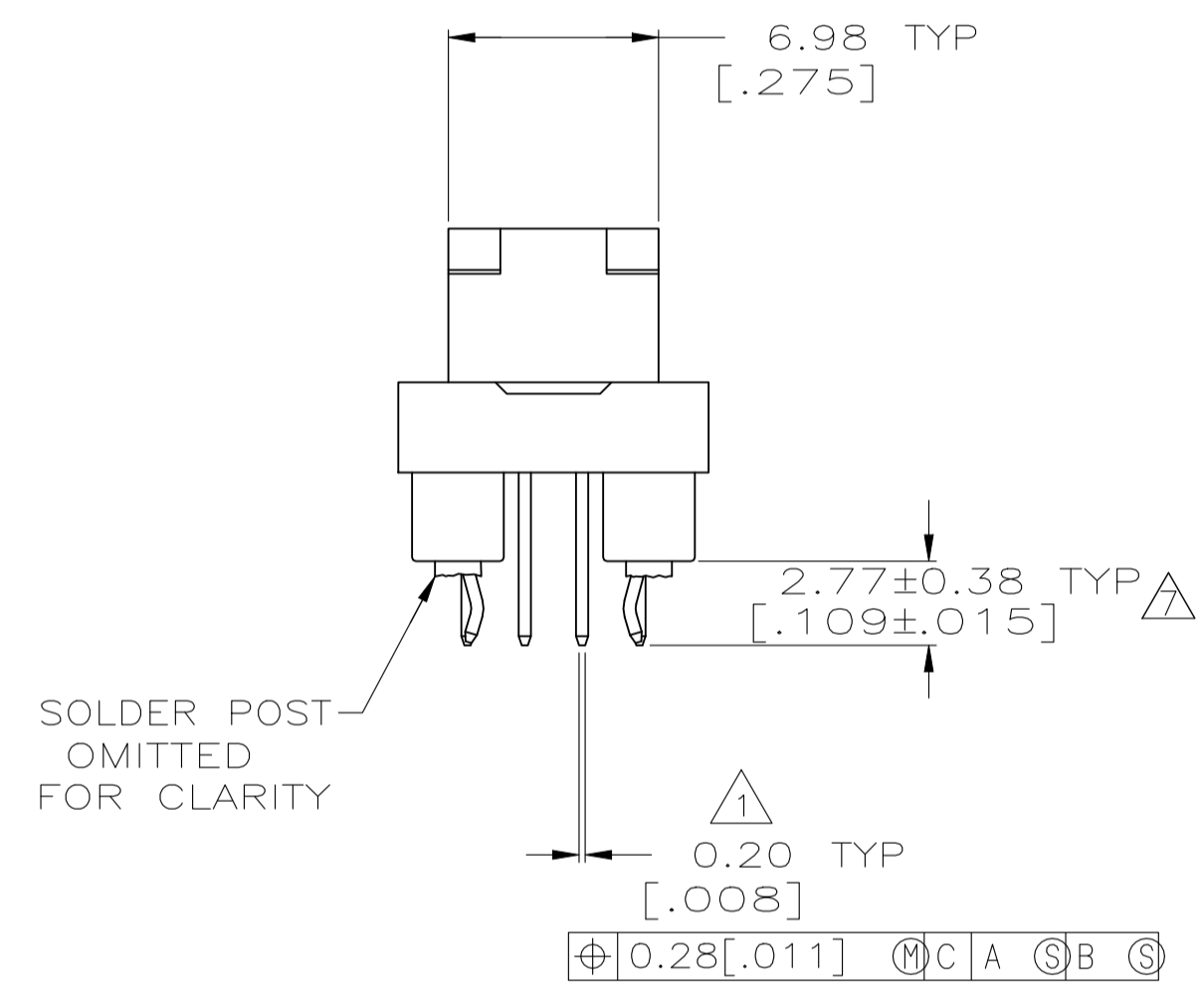
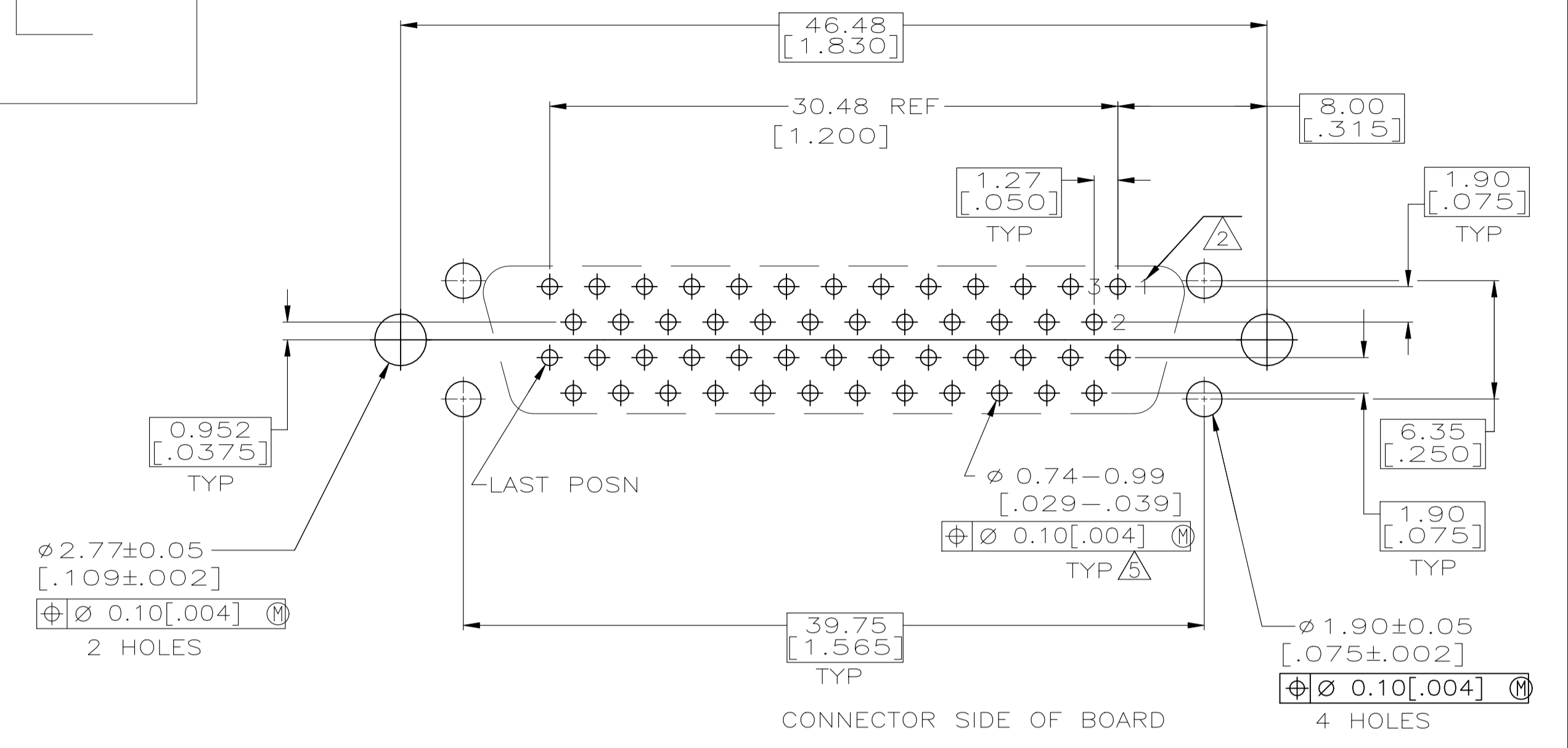
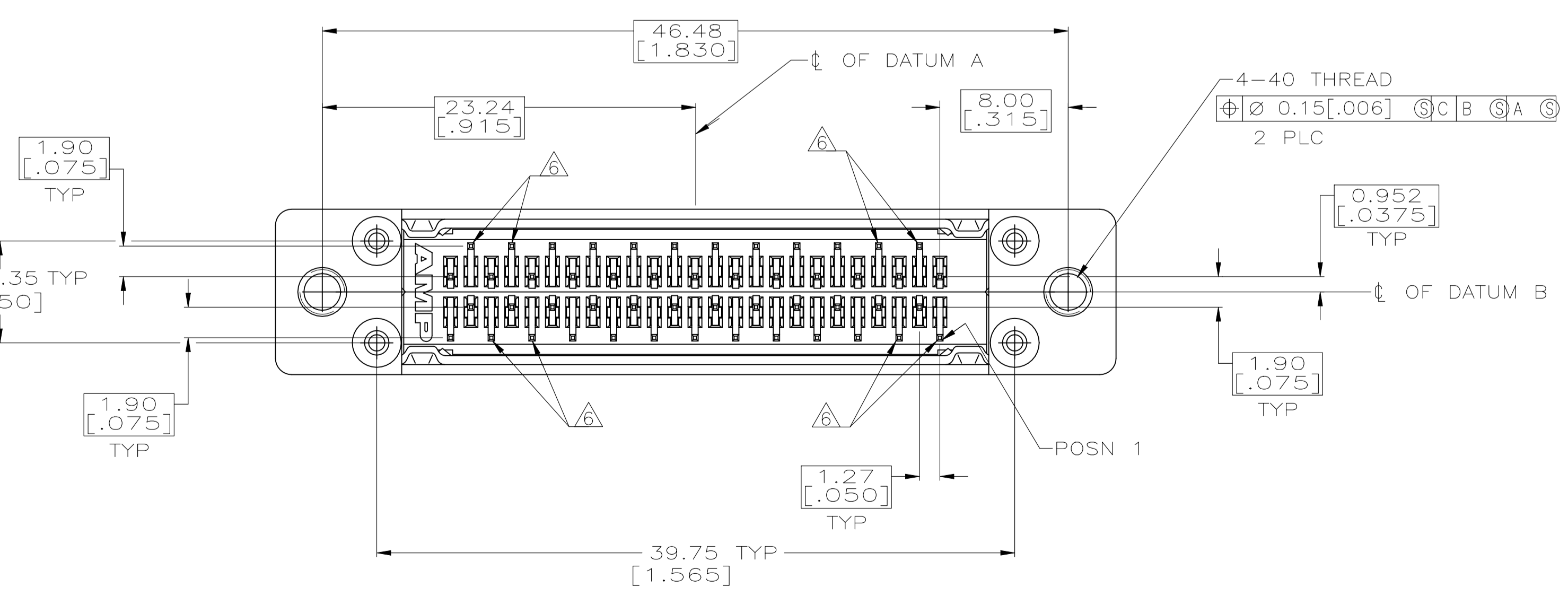
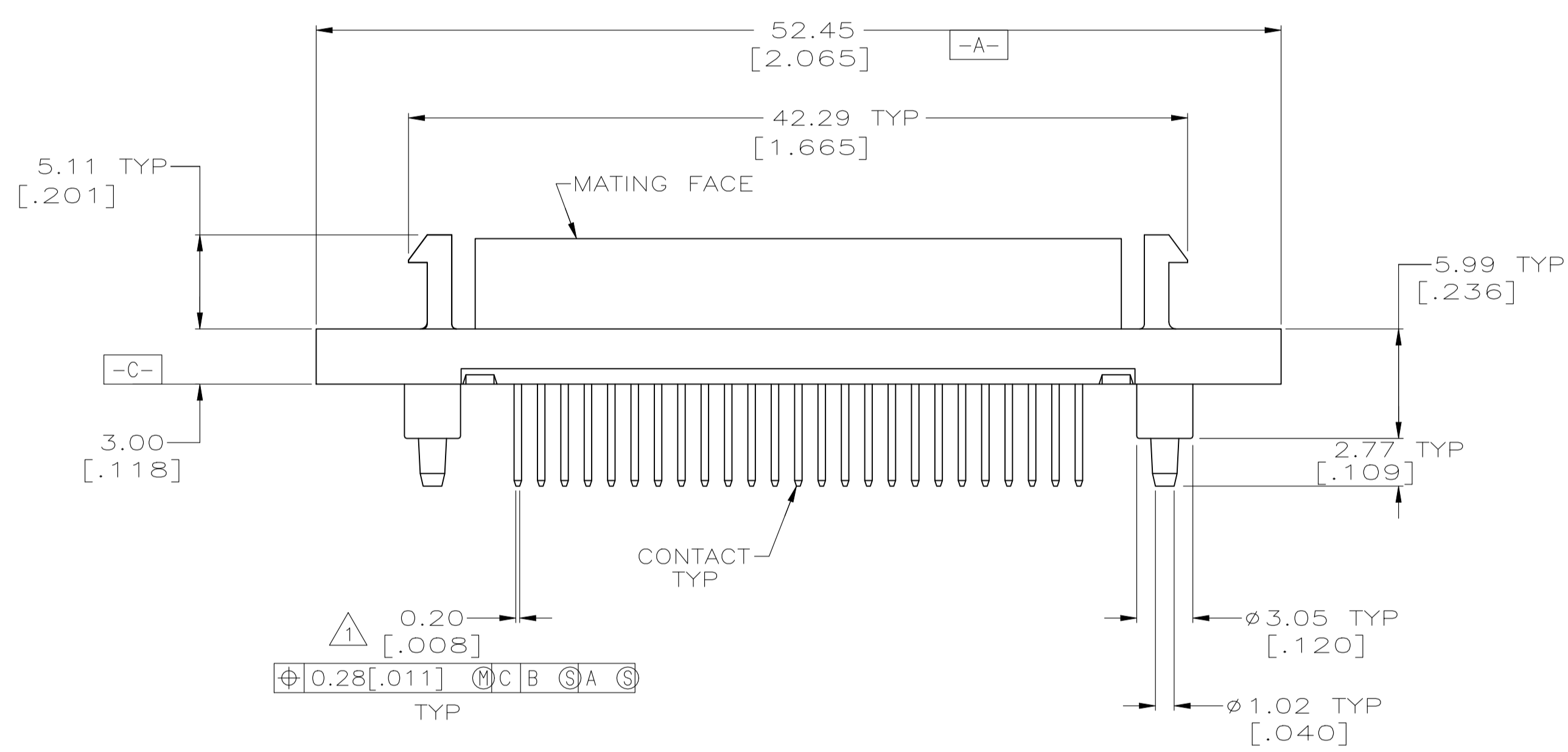
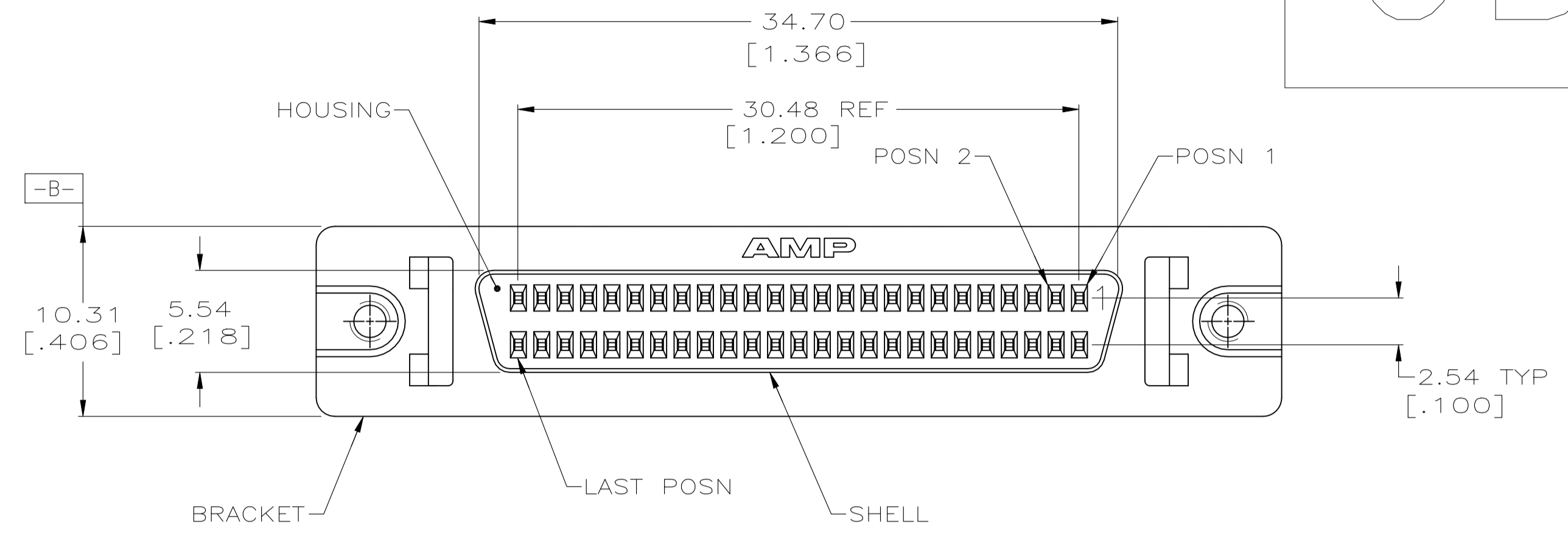


REVISIONS					
REV	DATE	DESCRIPTION	BY	CHK	APPV
C	20SEP2021	REVISED PER ECN-21-115785	AK	SZ	

OBSOLETE



- ⚠ POSITION TOLERANCE APPLIES AT CONTACT TIP.
- ⚠ POSITION NUMBERS SHOWN FOR REFERENCE ONLY.
- ⚠ MATERIAL
HOUSING: POLYESTER, UL 94V-0 RATED, BLACK.
SHELL: CARBON STEEL.
CONTACTS: PHOSPHOR BRONZE.
BRACKET: ZINC.
- ⚠ FINISH
SHELL: 5.08µm [.000200] MIN NICKEL OVER 1.27µm [.000050] MIN COPPER.
BRACKET: 5.08µm [.000200] MIN TIN OVER 5.08µm [.000200] MIN COPPER.
CONTACTS: EITHER 0.76µm [.000030] MIN GOLD PLATE FOR A LENGTH OF 0.64 [.025] MIN, 0.13 [.005] MAX FROM MATING END, OR GOLD FLASH PLATED OVER PALLADIUM NICKEL PLATE, 0.76µm [.000030] MIN TOTAL FOR A LENGTH OF 0.64 [.025] MIN, 0.13 [.005] MAX FROM MATING END. 3.81µm [.000150] MIN TIN ON SOLDER POST, BOTH OVER 1.27µm [.000050] MIN NICKEL UNDERPLATE.
- ⚠ ACTUAL HOLE SIZE WILL DEPEND ON TRACE ROUTING REQUIREMENTS BETWEEN HOLES AND CONNECTOR PLACEMENT TECHNIQUE.
- ⚠ LOCATION OF HOLD DOWN POSTS (8 PLACES).
- ⚠ THE RETENTIVE FEATURE OF THIS CONTACT WAS DESIGNED TO BE USED FULLY SEATED IN A CIRCUIT BOARD HAVING A THICKNESS OF 1.57±0.18 [.062±.007]. FOR CONTACTS HAVING RETENTIVE FEATURES DESIGNED FOR USE IN CIRCUIT BOARDS OF OTHER THICKNESSES CONTACT AMP INCORPORATED.

OBSOLETE	50	5750927-5
	NO OF POSN	PART NO

**COPYRIGHT 2005
TYCO ELECTRONICS CORP
ALL RIGHTS RESERVED**

THIS DRAWING IS A CONTROLLED DOCUMENT.		DIN S. ATTADIA - 02-24-05		TE Connectivity	
DIMENSIONS: mm [INCHES]		TOLERANCES UNLESS OTHERWISE SPECIFIED:		APPROVED: S. SHUEY 02-24-05	
0 PLC ± -		1 PLC ± 0.13 [.005]		NAME: M. WALMSLEY	
2 PLC ± -		3 PLC ± -		PRODUCT SPEC: RECEPTACLE ASSEMBLY, VERTICAL, WITH COMBO STANDOFF/SOLDER POSTS, SHIELDED, .050 SERIES AMPLIMITE	
4 PLC ± -		ANGLES ± -		APPLICATION SPEC: SIZE: A1	
MATERIAL: 3		FINISH: 4		WEIGHT: 0.000000	
		DRAWING NO: 00779		CAGE CODE: 5750927	
CUSTOMER DRAWING		SCALE: 4:1		SHEET: 1 of 1	