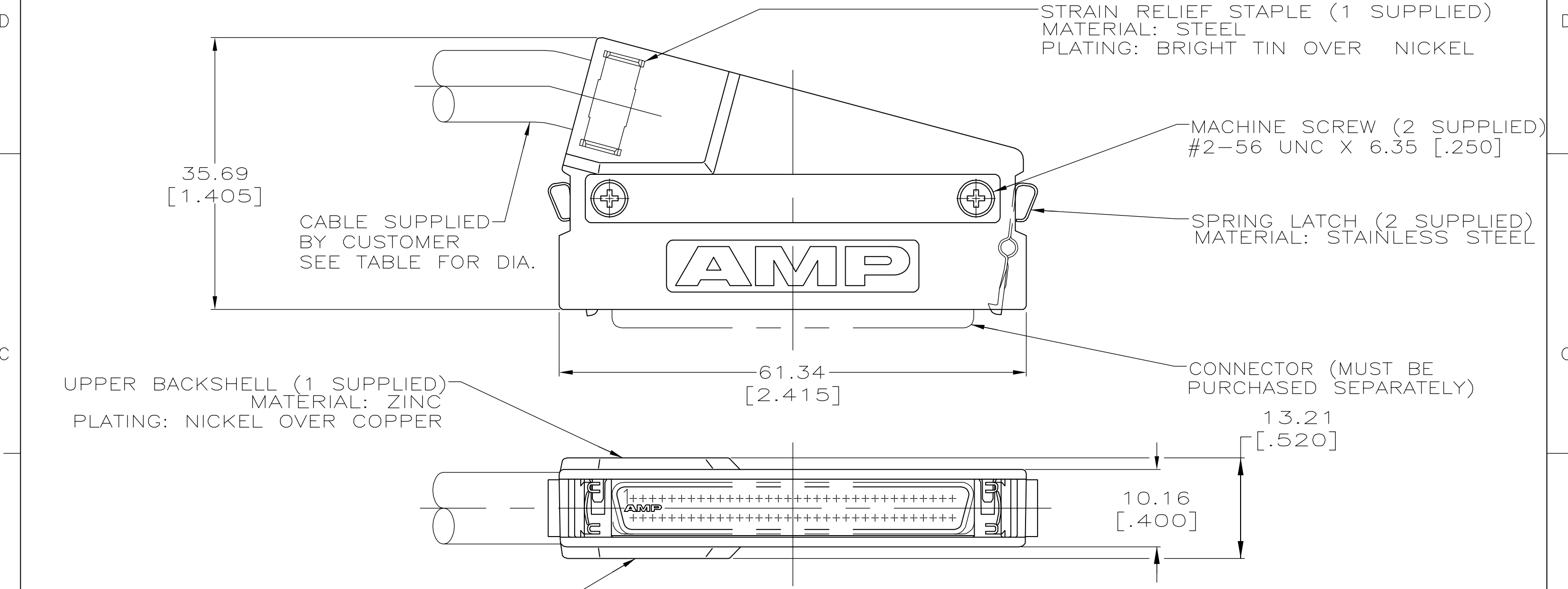


THIS DRAWING IS UNPUBLISHED. RELEASED FOR PUBLICATION
 © COPYRIGHT BY TYCO ELECTRONICS CORPORATION. ALL RIGHTS RESERVED.

LOC	DIST	REVISIONS					
GP	00	P	LTR	DESCRIPTION	DATE	DWN	APVD
			0	RELEASED PER EC OS13-0001-05	26AUG05	GP	JG



**COPYRIGHT 2005
 TYCO ELECTRONICS CORP
 ALL RIGHTS RESERVED**

- ① 10.16 [.400] MAX CABLE DIA
- ② 11.18 [.440] MAX CABLE DIA
- 3. PARTS PACKAGED AS A UNIT KIT.

②	5749204-2
①	5749204-1
CABLE DIA	PART NO

THIS DRAWING IS A CONTROLLED DOCUMENT.		DWN	G.PETERS	26AUG05	Tyco Electronics Corporation Harrisburg, PA 17105-3608		
DIMENSIONS: INCHES		CHK	S.SHUEY	26AUG05			
TOLERANCES UNLESS OTHERWISE SPECIFIED:		APVD	M.WALMSLEY	26AUG05			
0 PLC ± - 1 PLC ± - 2 PLC ± - 3 PLC ± 0.38 [.015] 4 PLC ± - ANGLES ± -		PRODUCT SPEC		NAME			
MATERIAL		FINISH		APPLICATION SPEC	INDIVIDUAL KIT, UNASSEMBLED, 68 POSITION, 75 DEG EXIT, UNKEYED, AMPLIMITE .050 Series		
		WEIGHT		SIZE	CAGE CODE	DRAWING NO	RESTRICTED TO
		-		A3	00779	C=5749204	-
CUSTOMER DRAWING				SCALE	1:1	SHEET	1 OF 1
				REV	0		