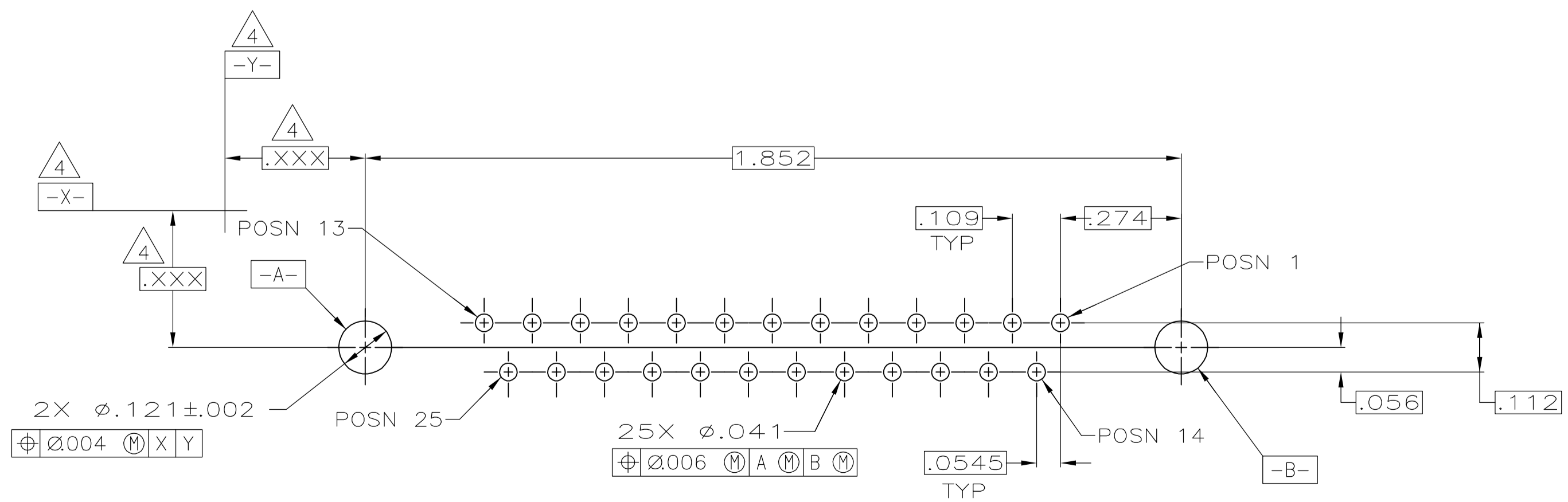
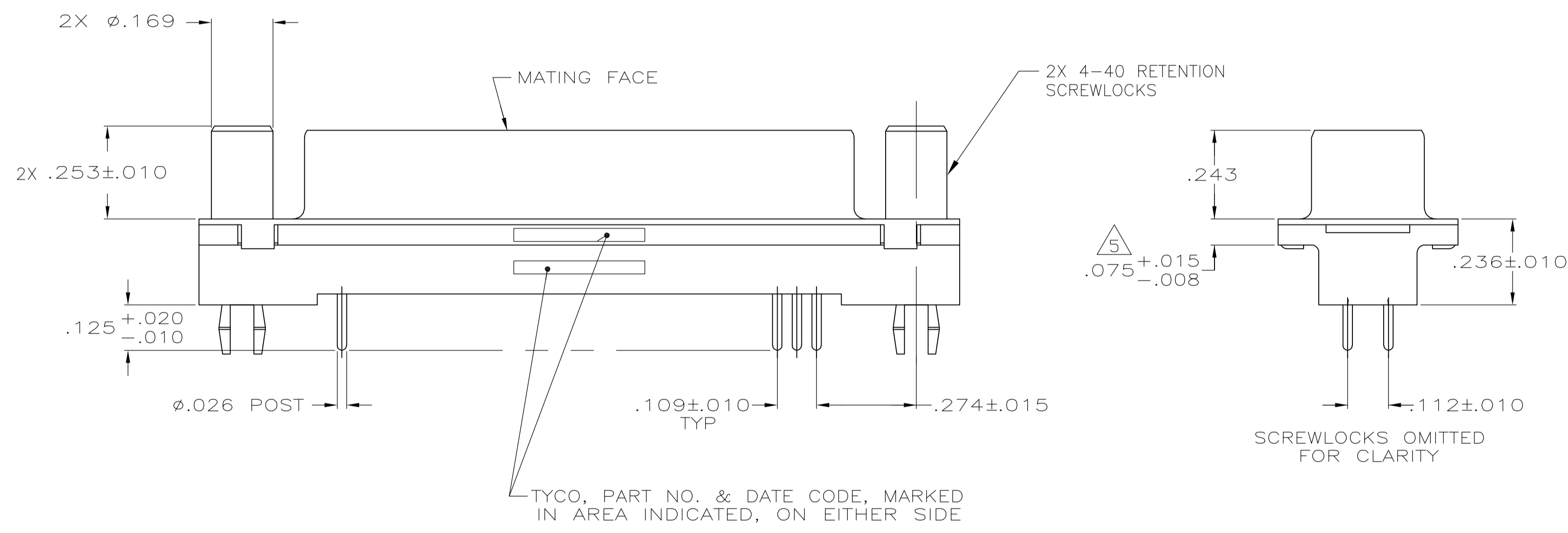
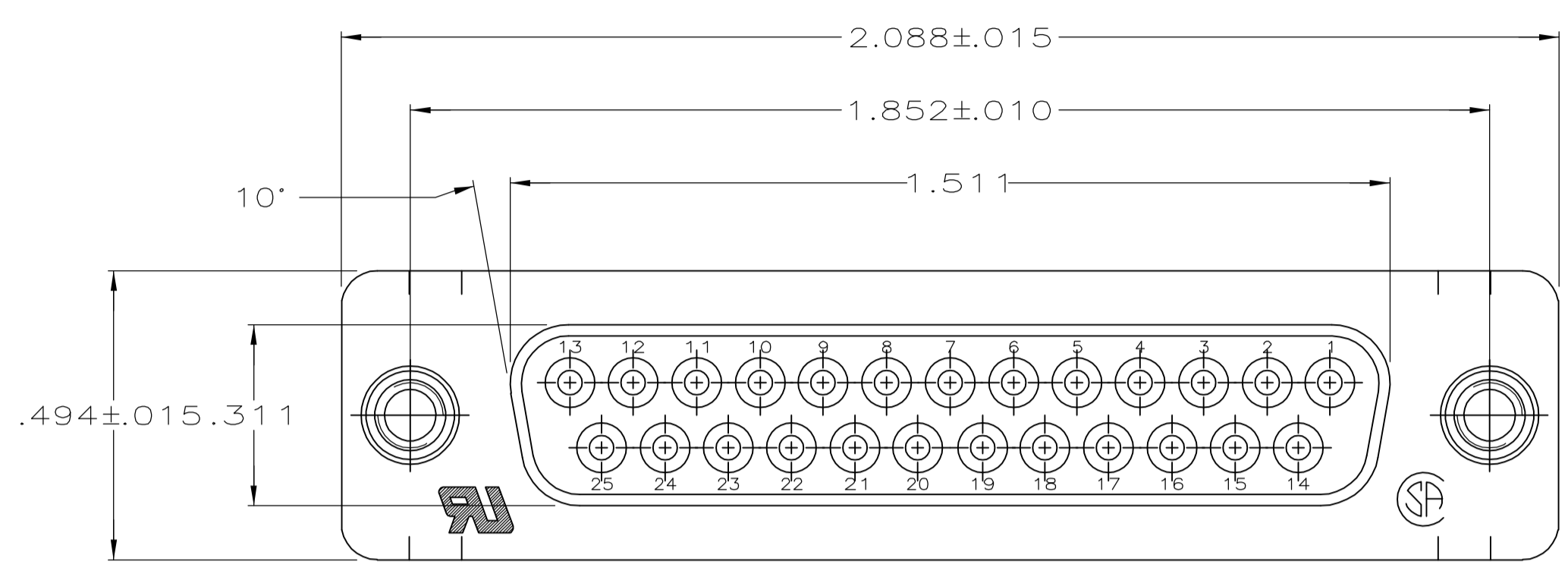


- 1 HOUSING: POLYESTER, UL 94V-0 RATED, COLOR BLACK.
SHELL: CARBON STEEL.
CONTACTS: PHOS BRONZE.
RETENTION SCREWLOCKS: BRASS.
- 2 SHELL: .000200 MIN TIN OVER .000100 MIN COPPER.
RETENTION SCREWLOCKS: .000100 MIN TIN OVER .000050 MIN NICKEL OVER COPPER FLASH.
CONTACTS: .000030 MIN GOLD FOR LENGTH OF .100 MIN FROM MATING END,
.000100 MIN TIN ON SOLDER END, ALL OVER .000050 MIN NICKEL ON ENTIRE CONTACT.
- 3. CONNECTORS PACKAGED IN TUBES IN QUANTITIES OF 10 PER TUBE.
- 4 DATUMS AND BASIC DIMENSIONS ESTABLISHED BY CUSTOMER.
- 5 .110 MAX IN SHELL TAB CLINCH AREAS.



PC BOARD MOUNTING DIMENSIONS
 CONNECTOR SIDE OF BOARD
 .062 PC BOARD THICKNESS

5748612-1
 PART NUMBER

THIS DRAWING IS A CONTROLLED DOCUMENT.		DWG B. LATTUCA	30SEPT05	 Tyco Electronics Corporation Harrisburg, PA 17105-3608
DIMENSIONS: INCHES		CHK S. BOLASH	30SEPT05	
TOLERANCES UNLESS OTHERWISE SPECIFIED:		APP'D M. WALMSLEY	30SEPT05	NAME RECEPT ASSY, SIZE 3, 25 POSN, VERT, FRT METAL SHELL, RETENTION SCREWLOCKS, AMPLIMITE HD-20
0 PLC ± -		PRODUCT SPEC 108-40025		RESTRICTED TO
1 PLC ± -		APPLICATION SPEC 114-40023		SIZE A1
2 PLC ± .005		WEIGHT -		CAGE CODE 00779
3 PLC ± -		DRAWING NO 5748612		SCALE 4:1
4 PLC ± -		CUSTOMER DRAWING		SHEET 1 OF 1
ANGLES ± -		REV A		