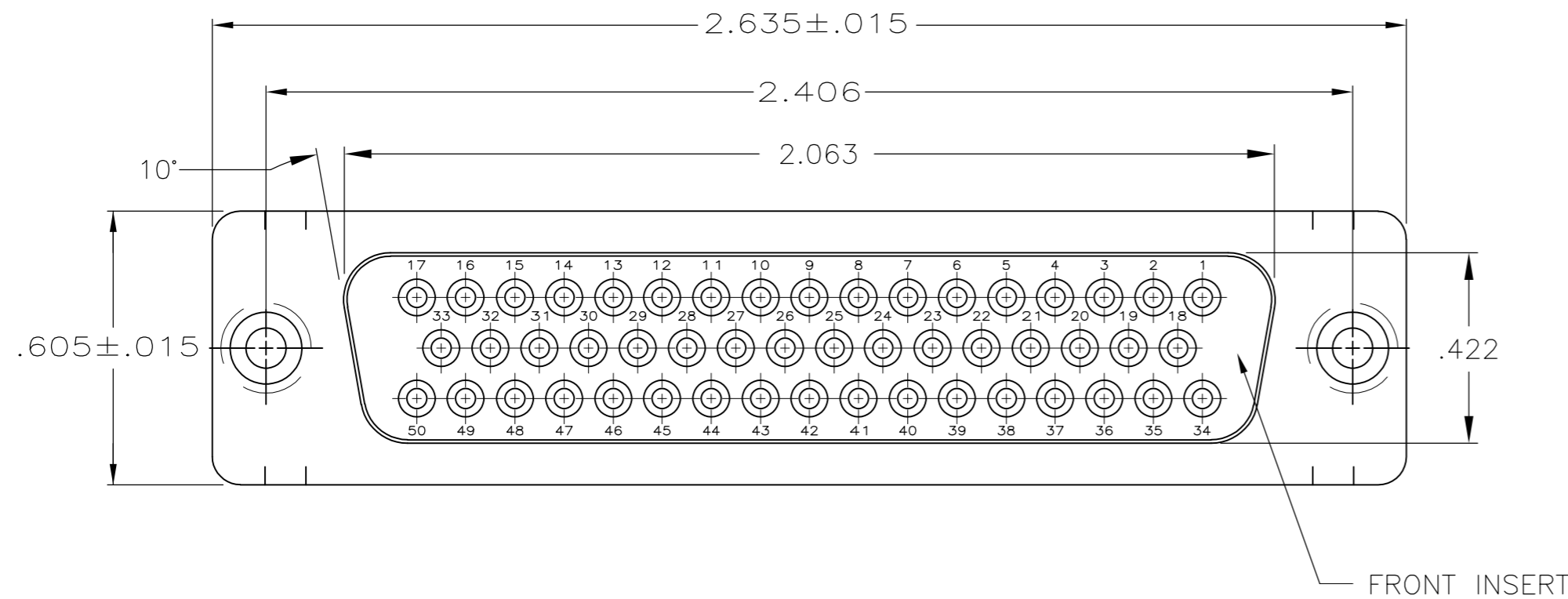
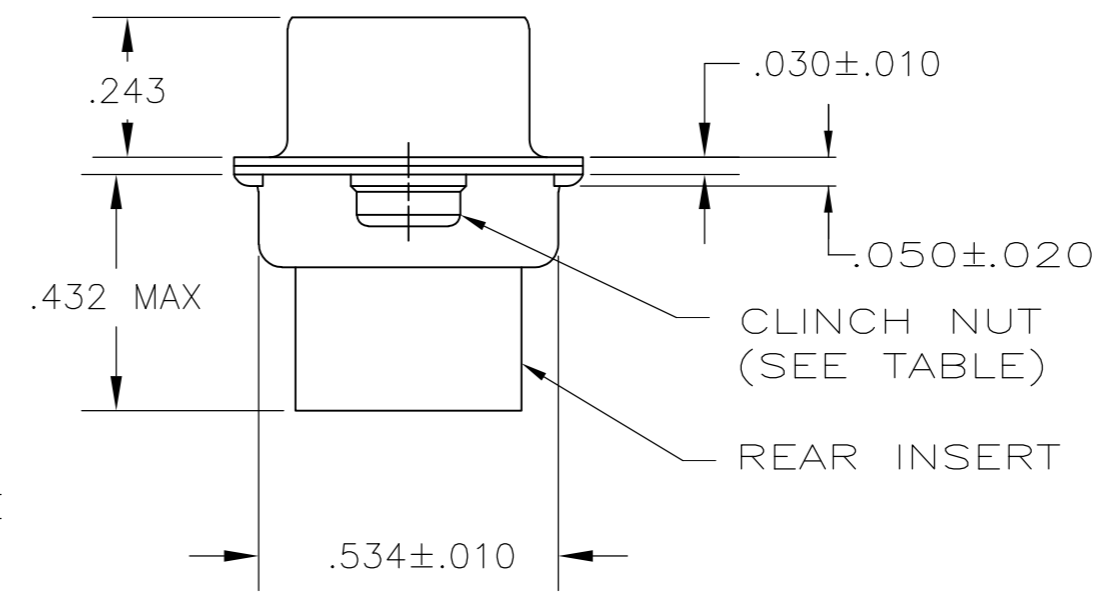
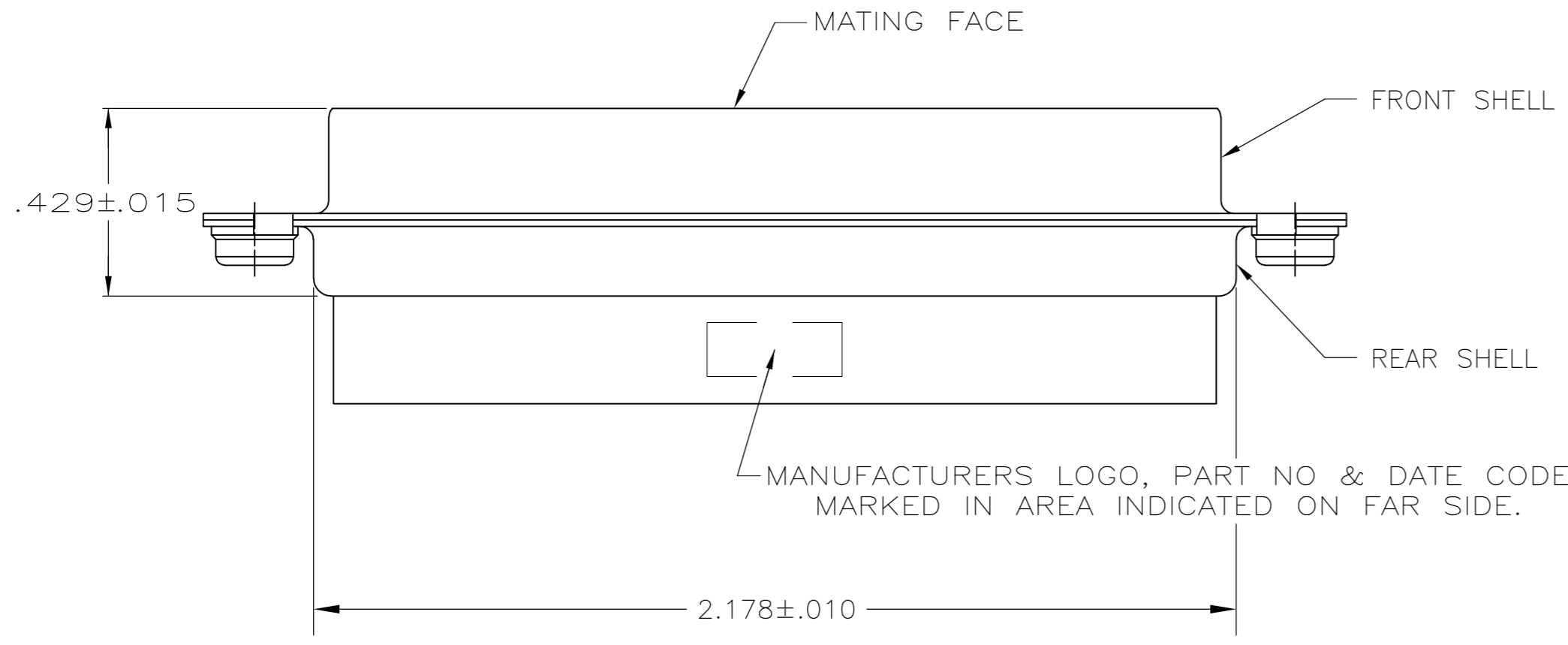


THIS DRAWING IS UNPUBLISHED. RELEASED FOR PUBLICATION
 © COPYRIGHT - By - ALL RIGHTS RESERVED.

LOC		DIST		REVISIONS			
P	LTR	DESCRIPTION		DATE	DWN	APVD	
GP	00	B		REVISED PER ECO-14-011808	11AUG2014	AP	SB



- 1. CONNECTOR ACCEPTS SIZE 20 DF SOCKET CONTACTS, RETENTION TINES ARE AN INTEGRAL PART OF INSERT.
- 2. INSERTS: GLASS-FILLED PBT OR GLASS-FILLED NYLON, UL94V-0 RATED. COLOR: BLACK.
- SHELLS & CLINCH NUTS: CARBON STEEL PER ASTM A109.
- 3. SHELLS: .000200 MIN TIN OVER .000100 MIN COPPER.
- 4. BLACK INSERT, ZINC PLATED CLEAR CHROMATE COATING.
- 5. BLUE INSERT, ZINC PLATED YELLOW CHROMATE COATING.



5	M3	5745884-2
4	4-40	5745884-1
CLINCH NUT FINISH	CLINCH NUT THREAD	PART NO

THIS DRAWING IS A CONTROLLED DOCUMENT.		DWN 12-21-04 L. VARELA - DOCK5	TE TE Connectivity	
DIMENSIONS: INCHES		CHK 12-21-04 J. GERACE		
TOLERANCES UNLESS OTHERWISE SPECIFIED:		APVD 12-21-04 M. WALMSLEY	NAME RECEPTACLE CONNECTOR, SIZE 5, 50 POS., W/ CLINCH NUTS, AMPLIMITE HDP	
0 PLC ± -		PRODUCT SPEC 108-40005	SIZE CAGE CODE DRAWING NO RESTRICTED TO	
1 PLC ± -		APPLICATION SPEC 114-40030	A2 00779 C=5745884	
2 PLC ± -		WEIGHT -	SCALE 4:1 SHEET 1 of 1 REV B	
3 PLC ± .005		CUSTOMER DRAWING		
4 PLC ± -				
4 ANGLES ± -				
MATERIAL		FINISH SHELLS: 3 CLINCH NUTS: SEE TABLE		