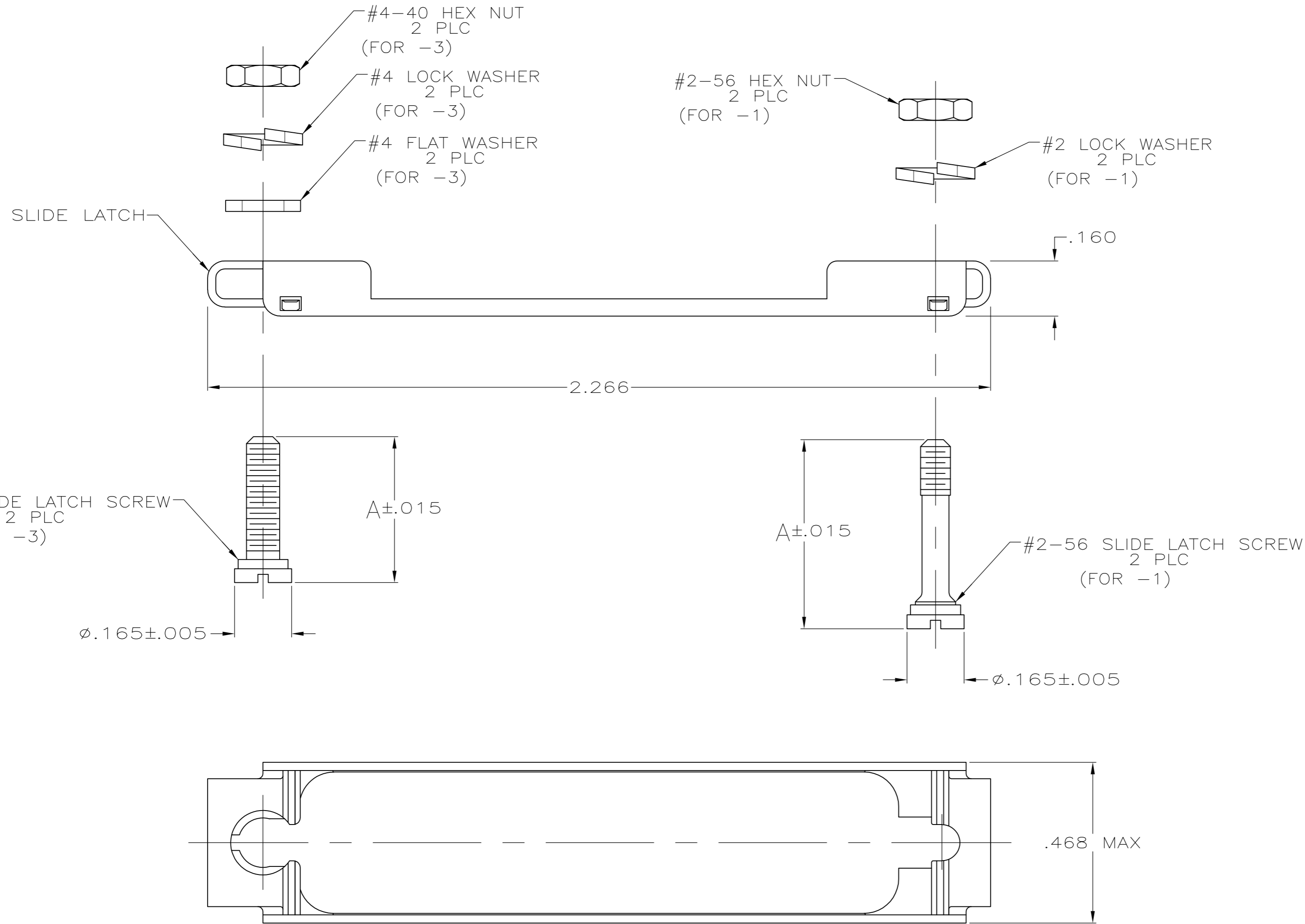


THIS DRAWING IS UNPUBLISHED. RELEASED FOR PUBLICATION  
 © COPYRIGHT - By - ALL RIGHTS RESERVED.

LOC	DIST	REVISIONS			
P	LTR	DESCRIPTION	DATE	DWN	APVD
BD	0				
P		REVISED PER ECO-11-004835	11MAR11	RK	HMR



- PARTS PACKAGED UNASSEMBLED.
- PARTS PACKAGED AS A UNIT KIT.
- ZINC PLATED .000200-.000400 THICK, CLEAR CHROMATE COATING.
- ZINC PLATED .000200-.000400 THICK, YELLOW CHROMATE COATING.
- THIS KIT CAN BE USED WITH TWO-PIECE STRAIGHT/90° EXIT CABLE CLAMPS, RFI/EMI CABLE CLAMPS OR UNIVERSAL CABLE CLAMPS.
- THIS KIT CAN BE USED WITH STRAIGHT/45° EXIT ONE-PIECE CABLE CLAMPS, STRAIGHT/90° EXIT ONE-PIECE CABLE CLAMPS, OR ON CONNECTORS WITHOUT CABLE CLAMPS.

.415	4	#4-40	6	5745584-3
.547	3	#2-56	5	5745584-1
A	HARDWARE FINISH	THREAD TYPE	PART NO	

THIS DRAWING IS A CONTROLLED DOCUMENT.		DWN	30JUN05																		
DIMENSIONS: INCHES		CHK	30JUN05																		
TOLERANCES UNLESS OTHERWISE SPECIFIED:		APVD	30JUN05																		
<table border="1"> <tr><td>0 PLC</td><td>±</td><td>-</td></tr> <tr><td>1 PLC</td><td>±</td><td>-</td></tr> <tr><td>2 PLC</td><td>±</td><td>-</td></tr> <tr><td>3 PLC</td><td>±</td><td>.010</td></tr> <tr><td>4 PLC</td><td>±</td><td>-</td></tr> <tr><td>ANGLES</td><td>±</td><td>-</td></tr> </table>		0 PLC	±			-	1 PLC	±	-	2 PLC	±	-	3 PLC	±	.010	4 PLC	±	-	ANGLES	±	-
0 PLC	±	-																			
1 PLC	±	-																			
2 PLC	±	-																			
3 PLC	±	.010																			
4 PLC	±	-																			
ANGLES	±	-																			
MATERIAL: SLIDE LATCH: STAINLESS STEEL HARDWARE: STEEL		FINISH	HARDWARE: SEE TABLE	KIT, SLIDE LATCH, SIZE 3, 25 POSITION, AMPLIMITE																	
WEIGHT		-		SIZE	A2																
CUSTOMER DRAWING		SCALE	4:1	CAGE CODE	00779																
		DRAWING NO	C=5745584	RESTRICTED TO	-																
		SHEET	1 of 1	REV	P																