

4

3

2

1

THIS DRAWING IS UNPUBLISHED.

RELEASED FOR PUBLICATION

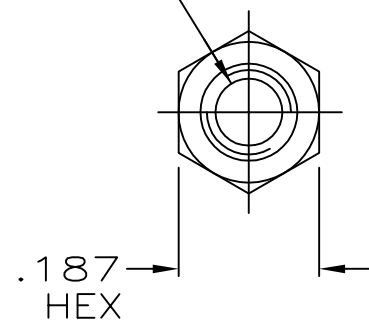
ALL RIGHTS RESERVED.

© COPYRIGHT - By -

REVISIONS

P	LTR	DESCRIPTION	DATE	DWN	APVD
R		REVISED PER ECO-17-005756	06NOV2017	AP	DG

#4-40 THREAD  
.120 MIN DEEP



FEMALE SCREWLOCK

WASHERS

LOCK WASHER

HEX NUT

#4-40 THREAD

.188

.250

1 ZINC PLATED .000200-.000400 THICK,  
YELLOW CHROMATE COATING.

2 ZINC PLATED .000200-.000400 THICK,  
CLEAR CHROMATE COATING.

3. PARTS PACKAGED UNASSEMBLED.

4 PARTS PACKAGED AS A UNIT KIT.

5 PARTS INDIVIDUALLY BULK PACKED & SHIPPED  
AS A UNIT PACKAGE.

1	1	2	1	4	1	5745563-5
2	2	4	2	5	2	5745563-4
2	2	4	2	4	2	5745563-3
2	2	4	2	4	1	5745563-1
HEX NUT QTY	LOCK WASHER QTY	WASHER QTY	FEMALE SCREWLOCK QTY	PACKAGING	FINISH	PART NUMBER

THIS DRAWING IS A CONTROLLED DOCUMENT.

DWN S.WAITMAN 30JUN05

CHK C.ROHDE 30JUN05

APVD M.WALMSLEY 30JUN05

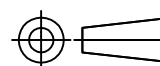
PRODUCT SPEC

APPLICATION SPEC

WEIGHT 0.000000

CUSTOMER DRAWING

DIMENSIONS:  
INCHES



TOLERANCES UNLESS  
OTHERWISE SPECIFIED:

0 PLC	± -
1 PLC	± -
2 PLC	± -
3 PLC	± .005
4 PLC	± -
ANGLES	± -

MATERIAL  
STEEL

FINISH  
SEE TABLE

**STE** TE Connectivity

NAME  
KIT, SCREWLOCK, FEMALE,  
PLASTIC OR METAL SERIES, SHORT,  
AMPLIMITE HDE

SIZE	CAGE CODE	DRAWING NO	RESTRICTED TO
A3	00779	C=5745563	-

SCALE	SHEET	REV
4:1	1 of 1	R