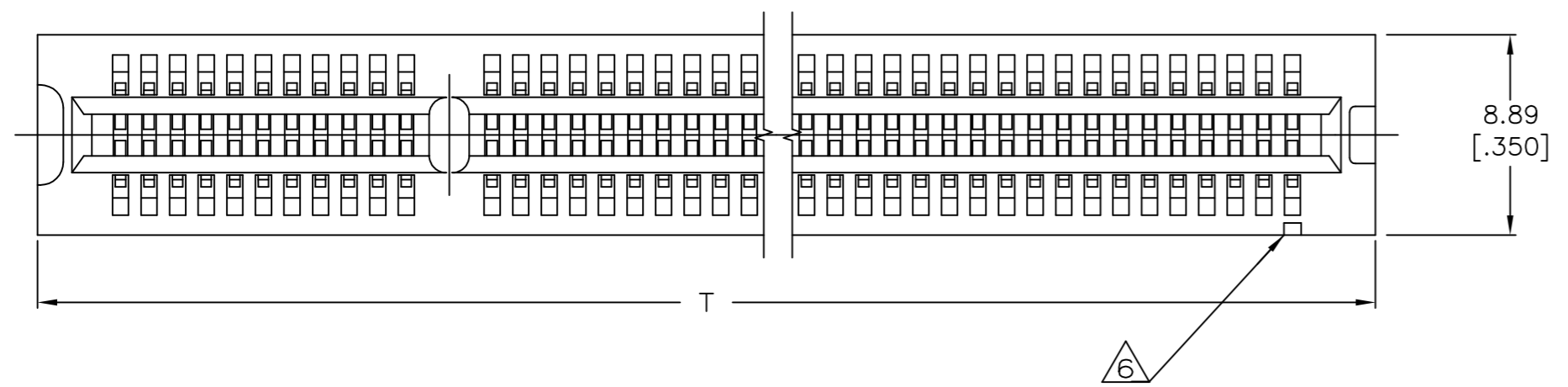
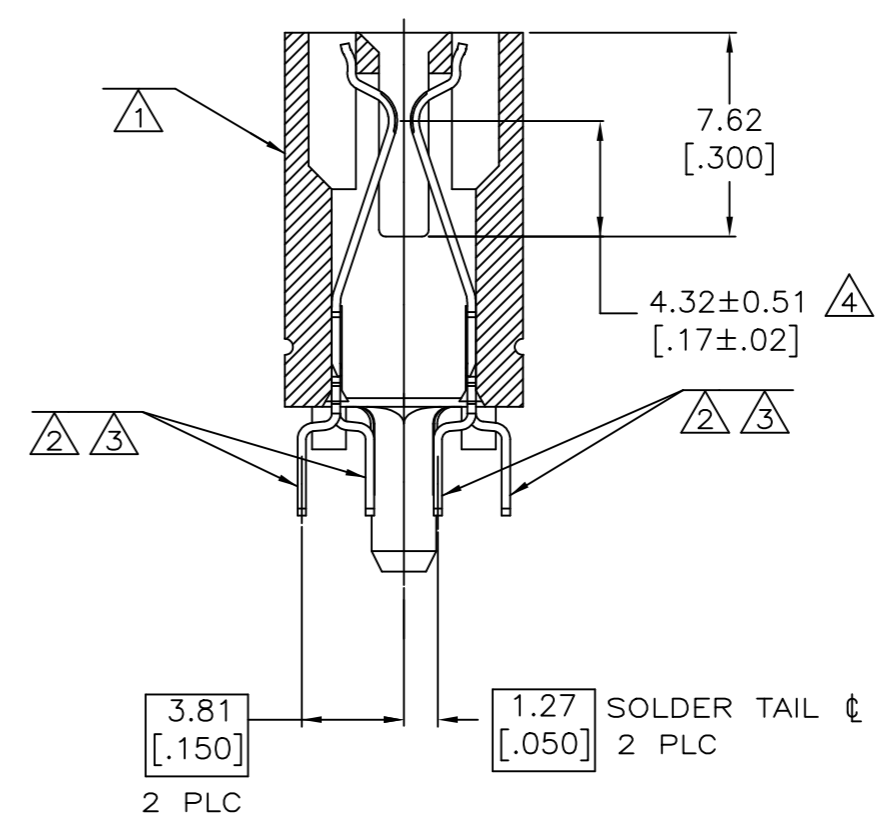
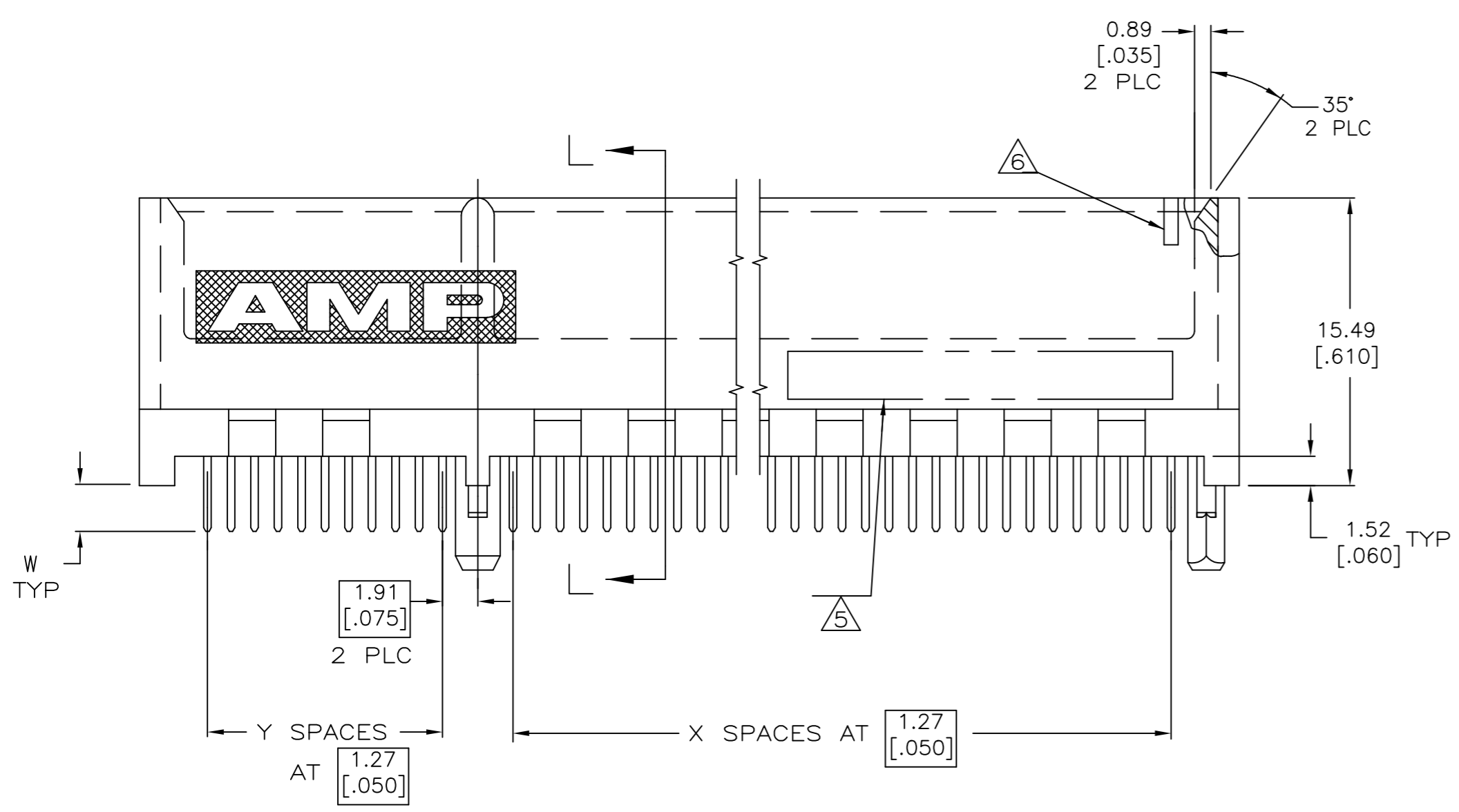


REVISIONS				
P	LNR	DESCRIPTION	DATE	DWN APVD
R	ECO-18-017212		30NOV2018	FL HL

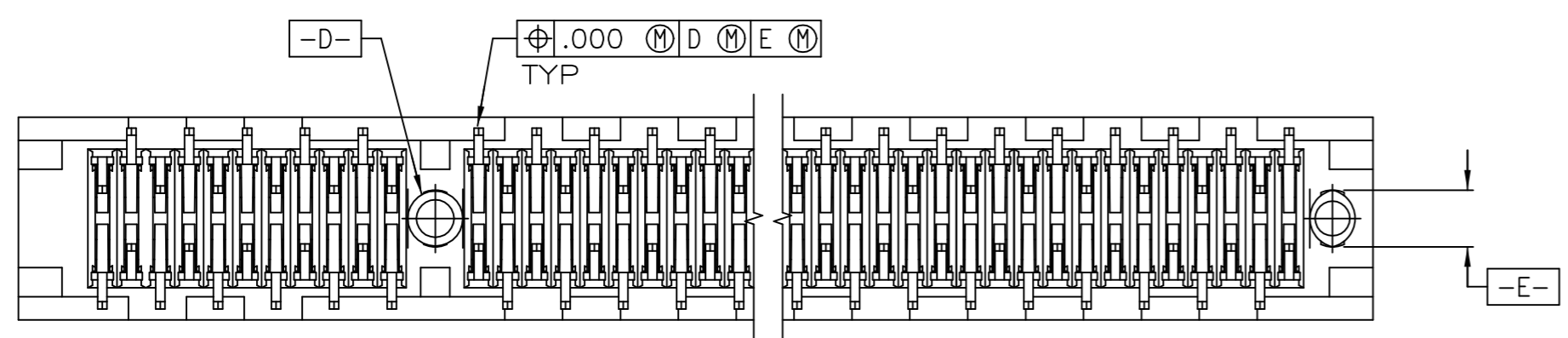


- ① HOUSING: HIGH TEMPERATURE THERMOPLASTIC. COLOR: BROWN.
- ② CONTACT: PHOSPHOR BRONZE.
- ③ CONTACT FINISH: .000100 MIN NICKEL ALL OVER.  
.000030 MIN GOLD OVER NICKEL IN CONTACT AREA.  
.000100 MIN MATTE TIN OVER NICKEL ON SOLDER TAILS.
- ④ DISTANCE FROM CONTACT POINT TO BOTTOM OF CARD SLOT.
- ⑤ AMP PART NUMBER, DATE CODE AND CSA LOGO MARKED IN APPROXIMATE AREA SHOWN.
- ⑥ PIN ONE IDENTIFIER NOTCH ONLY ON PART NUMBERS INDICATED.
- ⑦ OBSOLETE PARTS: OBSOLETE CIS STREAMLINING PER D.RENAUD/D.SINISI



SECTION L-L  
SCALE 8:1

⑦ OBSOLETE	3.18 [.125]	NO	B	45.72 [1.800]	44.70 [1.760]	65.79 [2.59]	15.49 [.610]	10	33	45	←5650090←4
	3.56 [.140]	NO	A	26.67 [1.050]	25.65 [1.010]	46.74 [1.84]	15.49 [.610]	10	18	30	1-5650090-2
⑦ OBSOLETE	3.56 [.140]	NO	C	55.88 [2.200]	54.86 [2.160]	110.24 [4.34]	49.78 [1.960]	37	41	80	←5650090←1
	2.54 [.100]	NO	C	55.88 [2.200]	54.86 [2.160]	110.24 [4.34]	49.78 [1.960]	37	41	80	5650090-9
	2.54 [.100]	NO	B	17.78 [.700]	16.76 [.660]	37.85 [1.49]	15.49 [.610]	10	11	23	5650090-7
	2.54 [.100]	NO	A	26.67 [1.050]	25.65 [1.010]	46.74 [1.84]	15.49 [.610]	10	18	30	5650090-6
	2.54 [.100]	NO	A	39.37 [1.550]	38.35 [1.510]	59.44 [2.34]	15.49 [.610]	10	28	40	5650090-3
	2.54 [.100]	NO	B	45.72 [1.800]	44.70 [1.760]	65.79 [2.59]	15.49 [.610]	10	33	45	5650090-2
	2.54 [.100]	YES	A	59.69 [2.350]	58.67 [2.310]	79.76 [3.14]	15.49 [.610]	10	44	56	5650090-1
W	PIN ONE IDENTIFIER	HOLE PATTERN	V	U	T	S	Y	X	NO. OF DUAL POSN		PART NUMBER



SEE SHEET 2 FOR HOLE PATTERNS

THIS DRAWING IS A CONTROLLED DOCUMENT. DWN: AL FRANTUM 24 JAN 05, DK: AL FRANTUM 24 JAN 05, APVD: -

**STE** TE Connectivity Ltd.

CONNECTOR ASSEMBLY, DUAL POSITION, .050 SERIES

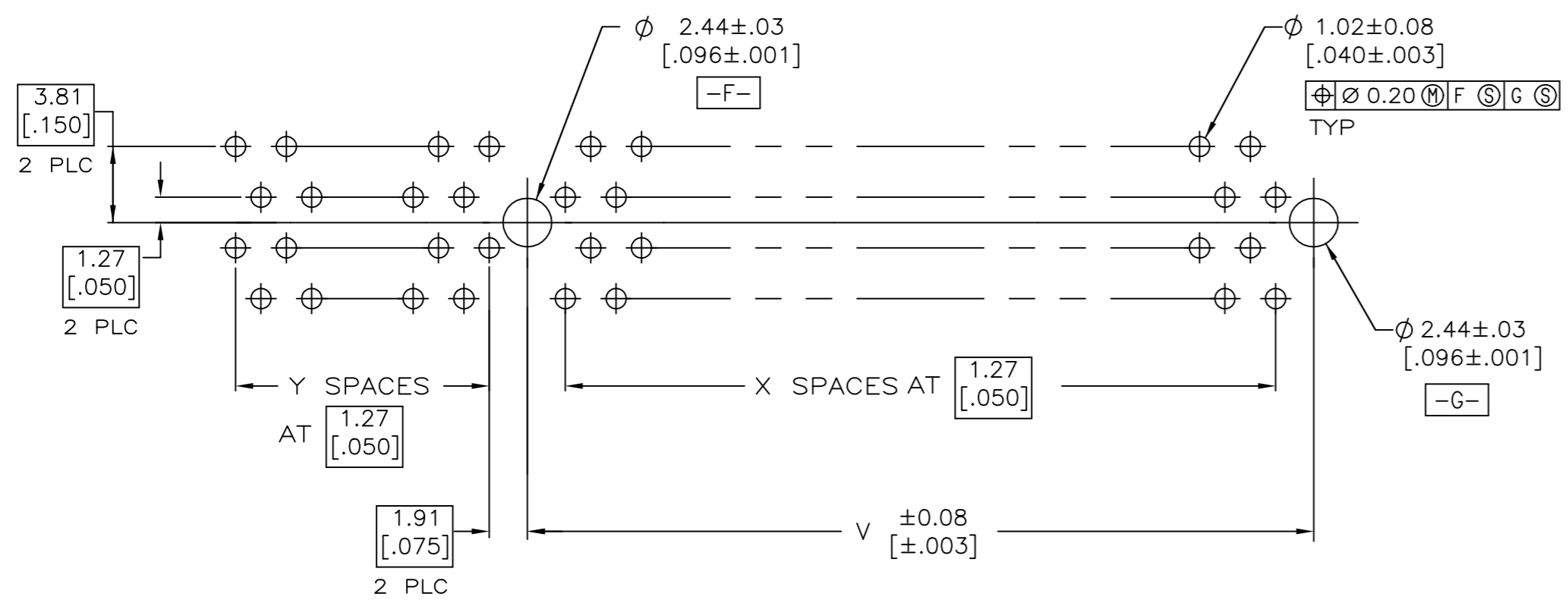
PRODUCT SPEC: 108-14034  
 APPLICATION SPEC: 114-26012

SIZE: A1, CAGE CODE: 00779, DRAWING NO: 5650090

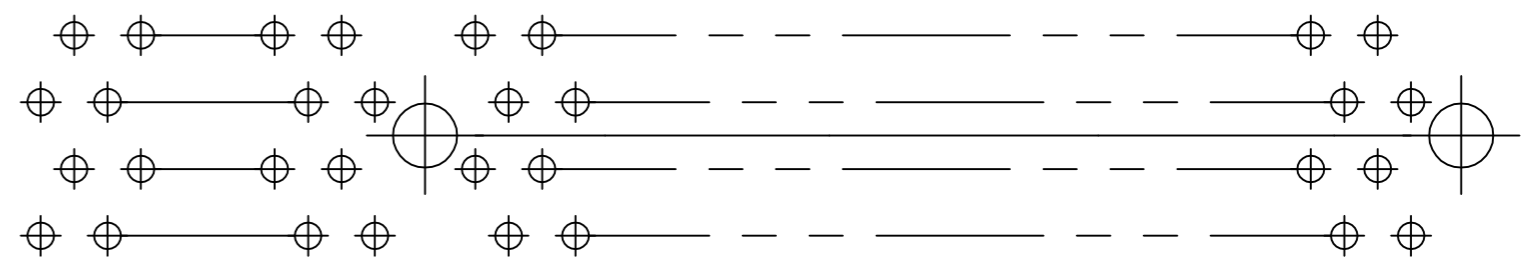
MATERIAL: ①②, FINISH: ③④

CUSTOMER DRAWING, SCALE: 5:1, SHEET: 1 OF 2, REV: R

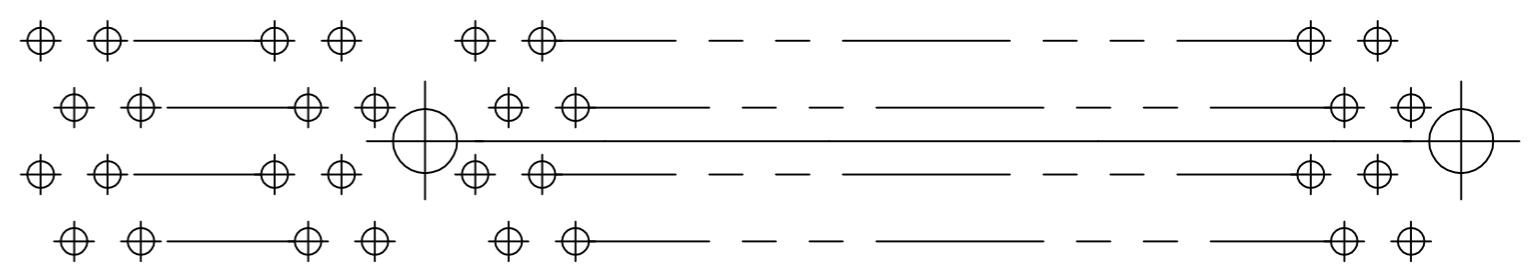
REVISIONS				
P	LTR	DESCRIPTION	DATE	OWN APVD
-	-	SEE SHEET 1	-	-



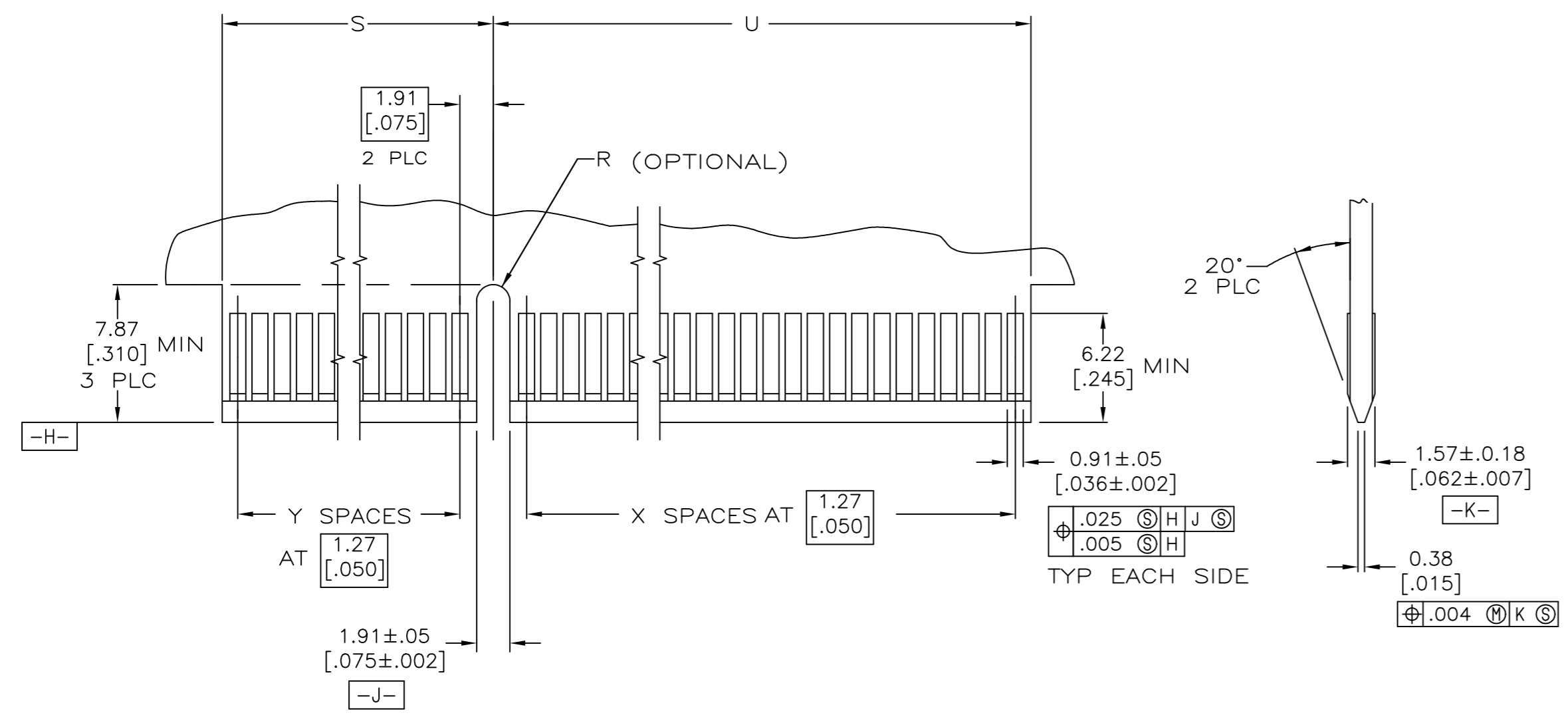
RECOMMENDED CONNECTOR MOUNTING HOLE PATTERN A  
(CONNECTOR SIDE SHOWN)



RECOMMENDED CONNECTOR MOUNTING HOLE PATTERN B  
(CONNECTOR SIDE SHOWN)



RECOMMENDED CONNECTOR MOUNTING HOLE PATTERN C



RECOMMENDED MATING BOARD EDGE CONFIGURATION  
(CONNECTOR SIDE SHOWN)

THIS DRAWING IS A CONTROLLED DOCUMENT.		OWN: AL FRANTUM 24 JAN 05	TE Connectivity Ltd.	
		CHK: AL FRANTUM 24 JAN 05		
DIMENSIONS: mm		APVD:		PRODUCT SPEC: 108-14034 APPLICATION SPEC: 114-26012
0 PLC ± - 1 PLC ± - 2 PLC ± - 3 PLC ± - 4 PLC ± - ANGLES ± °		TOLERANCES UNLESS OTHERWISE SPECIFIED:		
MATERIAL: SEE SHEET 1		FINISH: SEE SHEET 1		SIZE: A1 CAGE CODE: 00779 DRAWING NO: 5650090
		CUSTOMER DRAWING		SCALE: 5:1 SHEET: 2 OF 2 REV: R