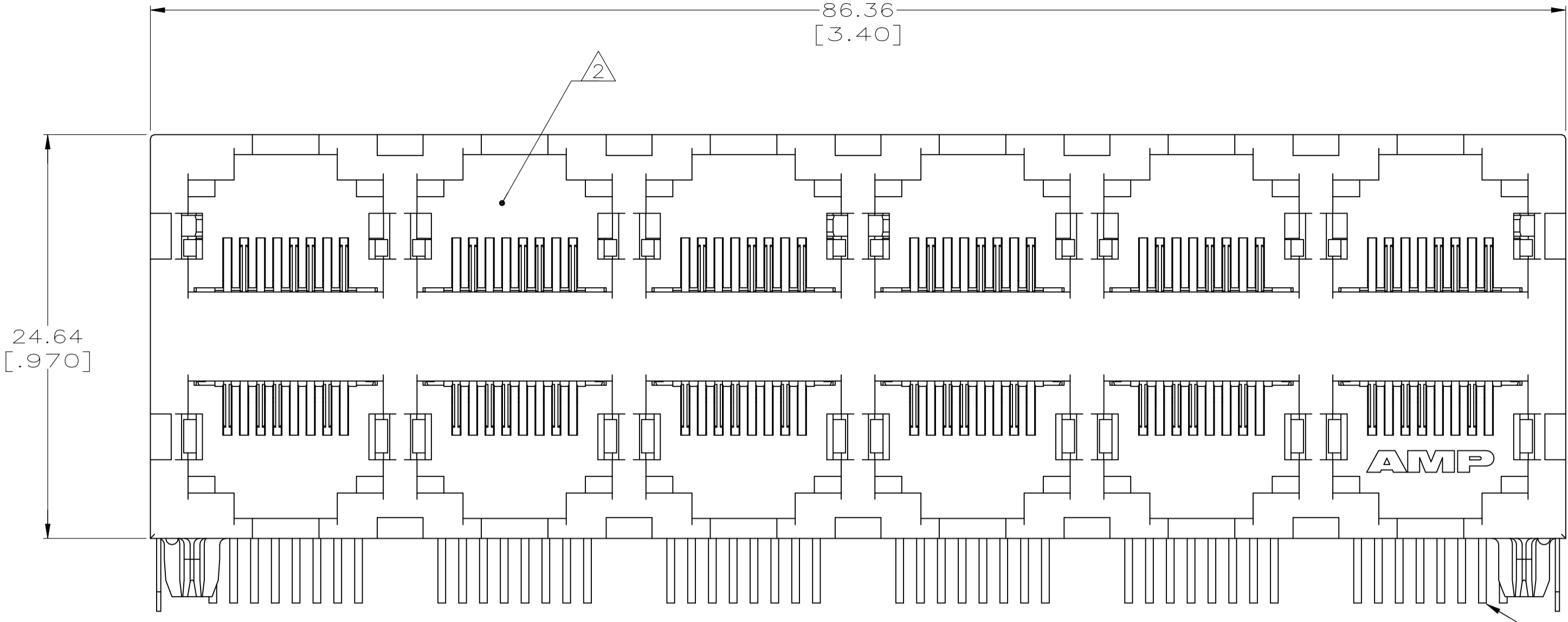
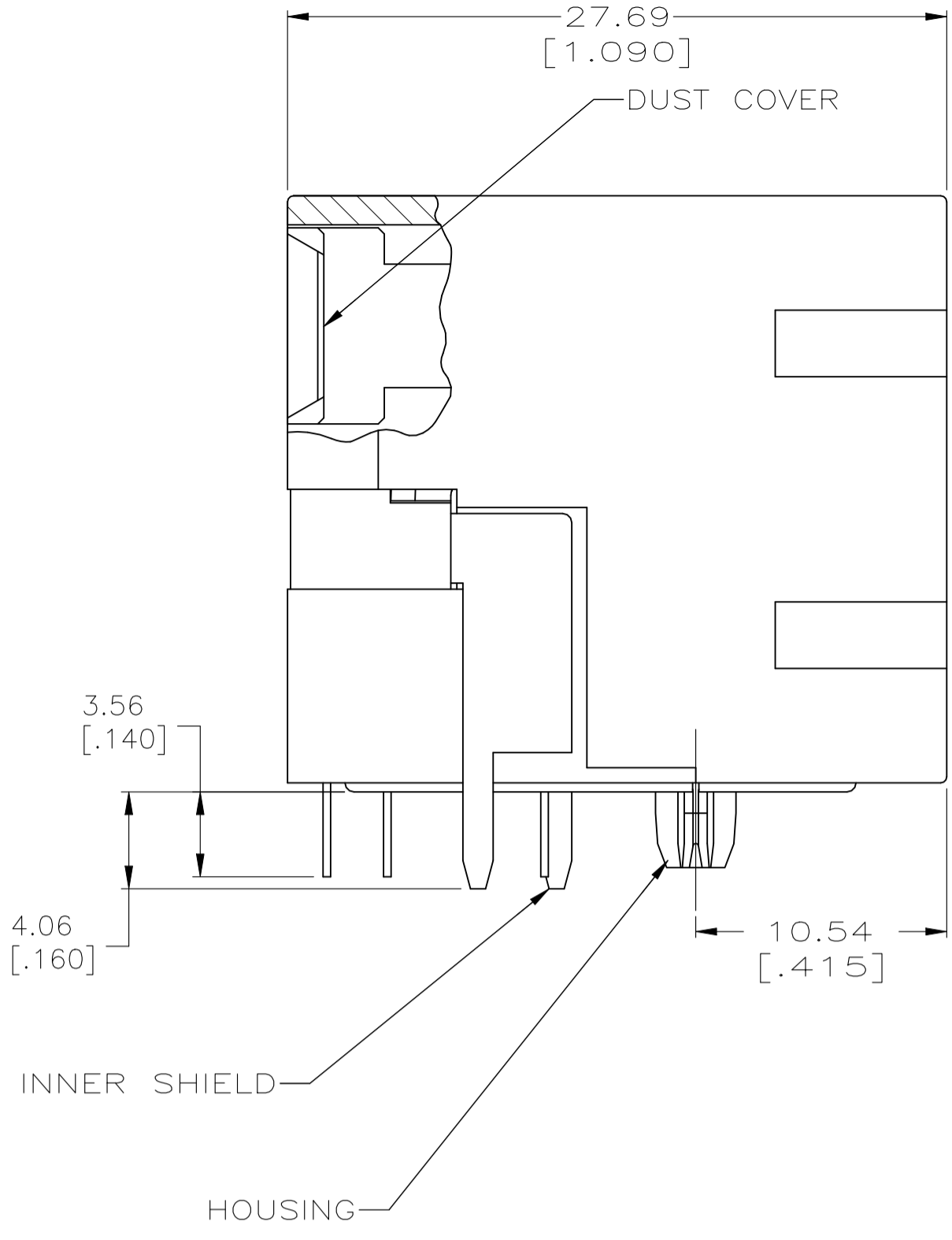
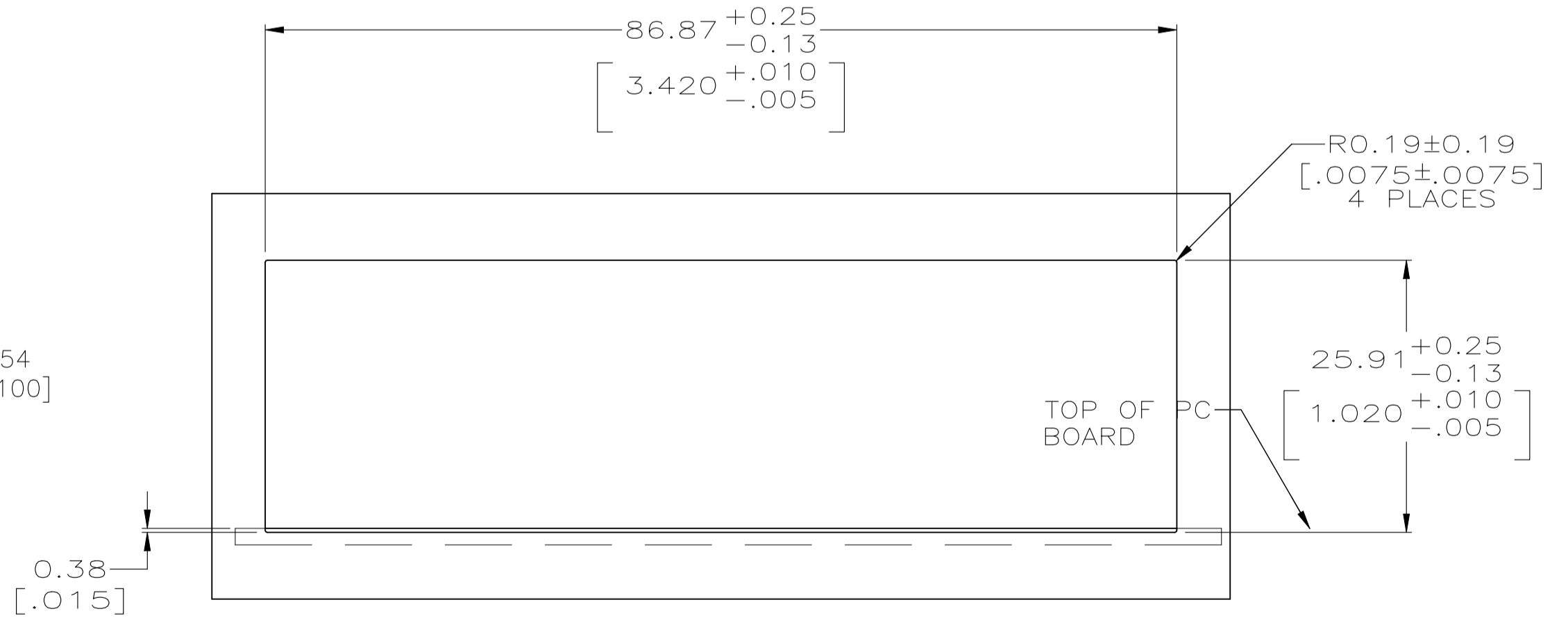
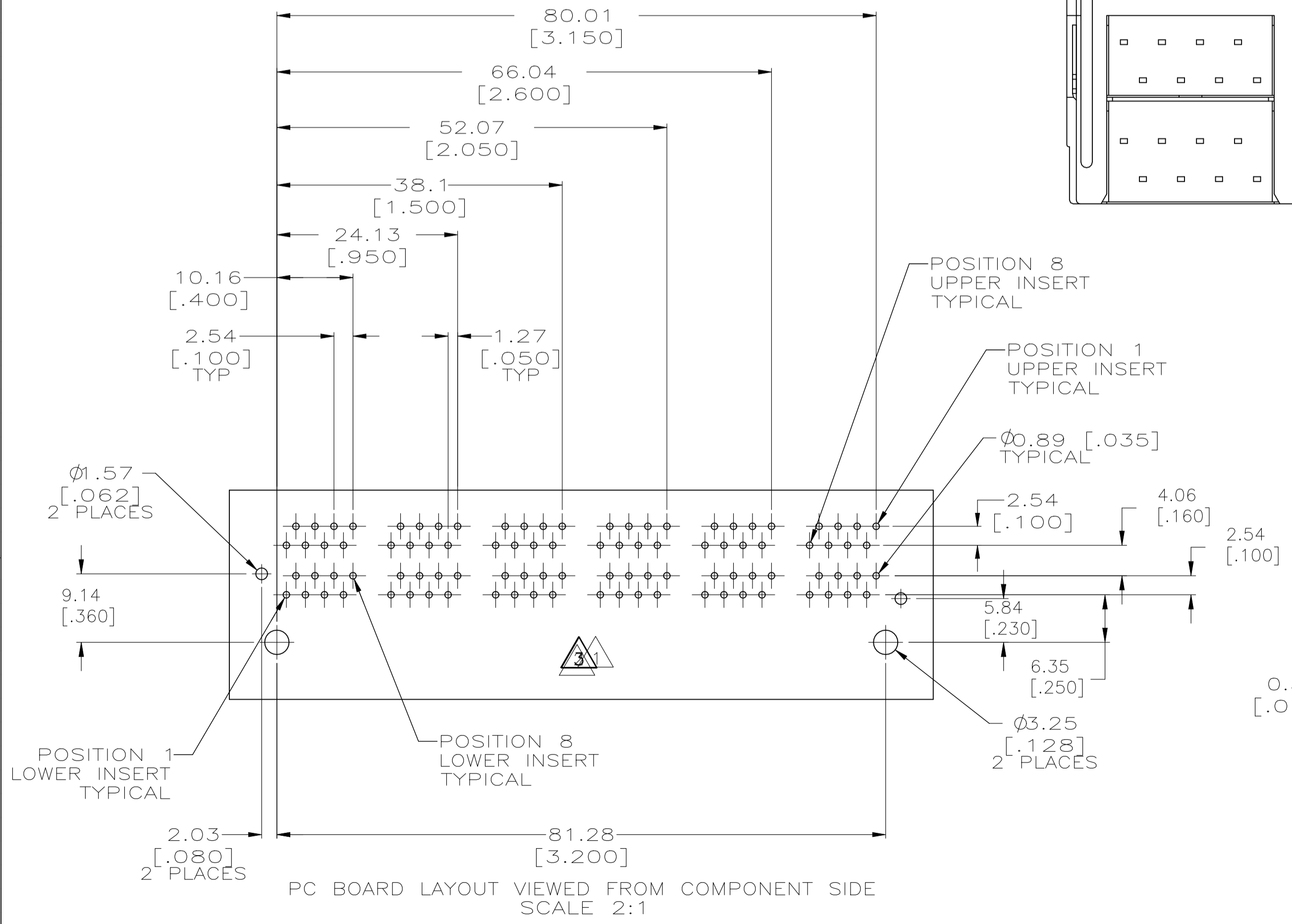
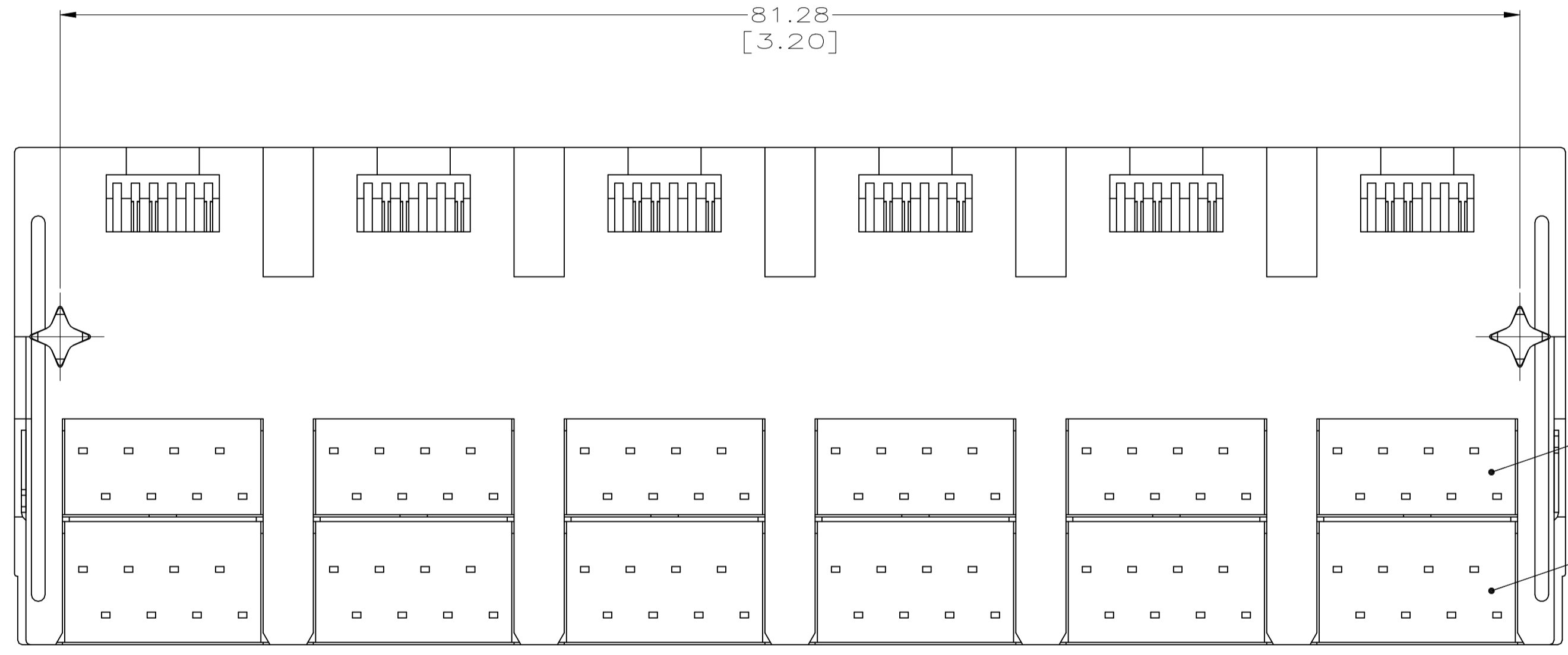


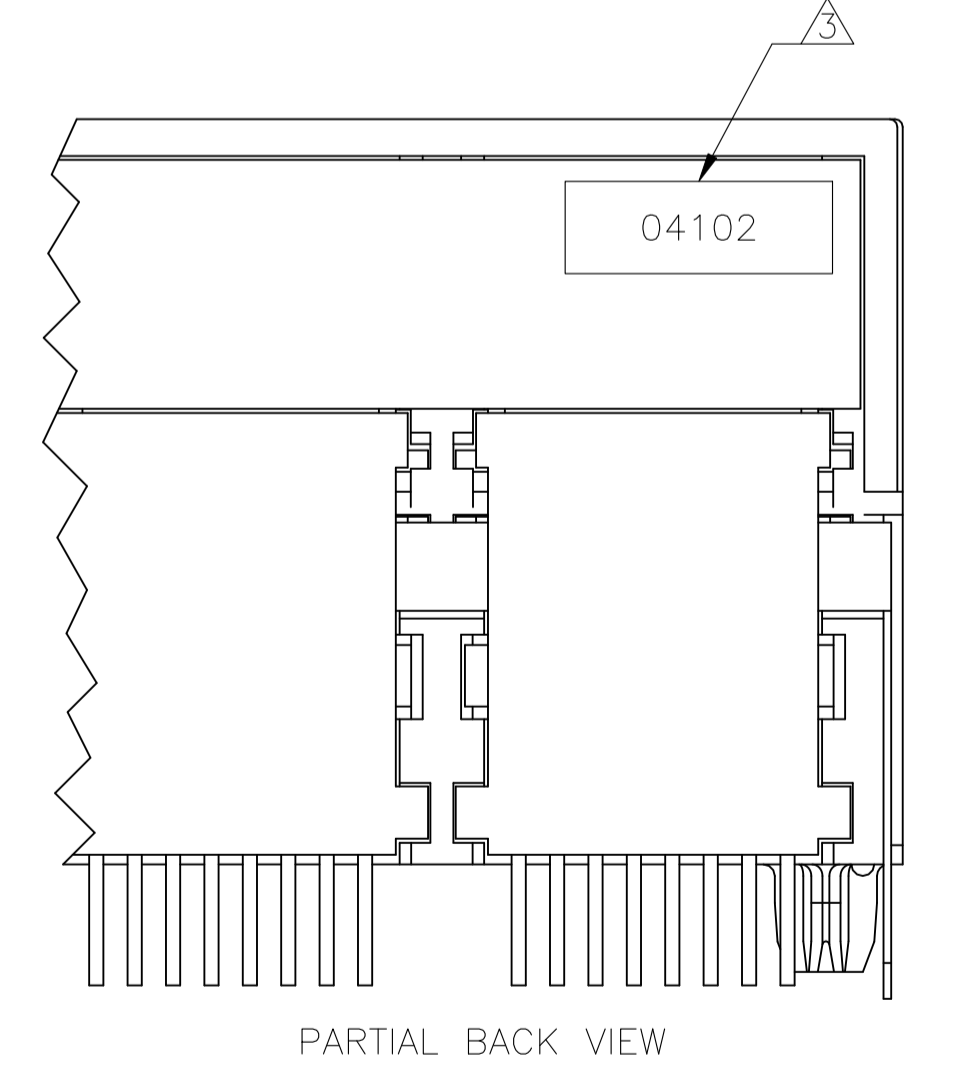
REVISIONS					
REV	DESCRIPTION	DATE	BY	APP'D	
A1	REVISED AS PER ECR-23-169440	19APR2023	JK	WH	



- 1 MATERIAL:  
HOUSING - PCT POLYESTER, BLACK, UL94V-0.  
OVERMOLDED TERMINAL ARRAY - PBT, BROWN.  
TERMINALS - 0.33 [.013] THICK PHOS BRONZE PLATED WITH 1.27µm [.000050] MIN THICK HARD GOLD IN LOCALIZED AREA AND 3.81µm [.000150] MIN THICK MATTE TIN IN SOLDER AREA OVER 1.27µm [.000050] MIN THICK NICKEL UNDERPLATE.  
OUTER SHIELD AND INNER SHIELD - 0.25 [.010] THICK COPPER ALLOY PLATED WITH 2.03µm [.000080] MIN BRIGHT TIN OVER 1.27µm [.000050] MIN NICKEL.
- 2 JACK CAVITY CONFORMS TO FCC RULES AND REGULATIONS, PART 68 SUBPART F.
- 3 DATE CODE LOCATED ON REAR OF PART APPROXIMATELY AS SHOWN:  
FIRST 2 DIGITS ARE LAST 2 DIGITS OF YEAR,  
SECOND 2 DIGITS ARE MANUFACTURING WORK WEEK,  
LAST DIGIT IS DAY OF WEEK, WITH SUNDAY = 1.



SUGGESTED PANEL CUTOUT DIMENSIONS  
SCALE 2:1



PARTIAL BACK VIEW

5569253-1  
PART NUMBER

THIS DRAWING IS A CONTROLLED DOCUMENT.		DWG: R. GRZYBOWSKI	OSNOVOS	 TE Connectivity
DIMENSIONS: mm [INCHES]		CHK: J. WESTMAN	OSNOVOS	
TOLERANCES UNLESS OTHERWISE SPECIFIED:		APP'D: S. FLICKINGER	OSNOVOS	NAME: STACKED MODULAR JACK ASSEMBLY, 2 X 6 PORT, 8 POSITION, UNSHIELDED, CATEGORY 5
0. PLC ± -		PRODUCT SPEC: 108-1163-2		APPLICATION SPEC: 114-2048
1. PLC ± 0.25[.01]		SIZE: 114-2048		RESTRICTED TO: -
2. PLC ± 0.13[.005]		WEIGHT: 0.000000		SCALE: 4:1
3. PLC ± -		CUSTOMER DRAWING		SHEET 1 of 1
4. PLC ANGLES ± -				REV A1