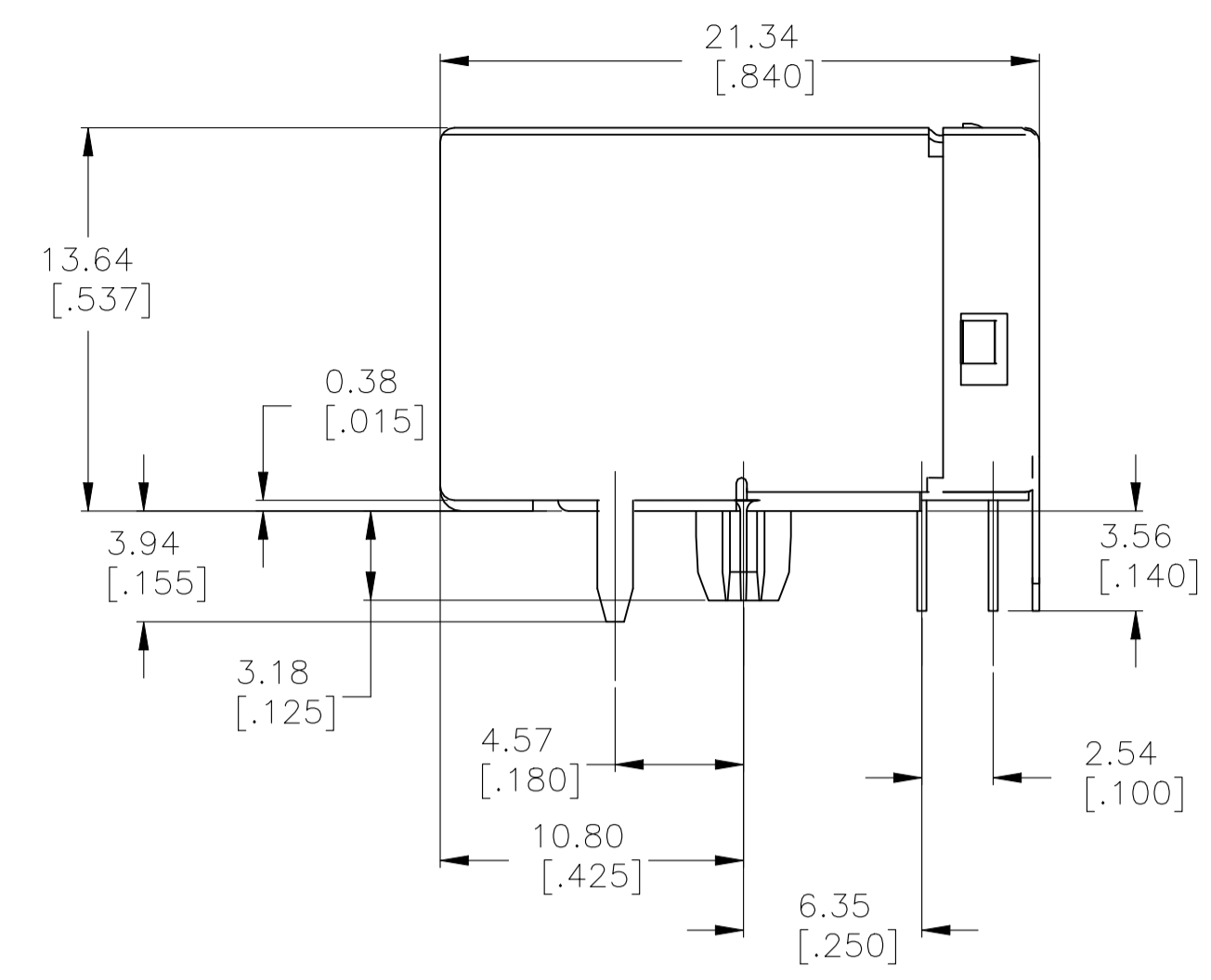
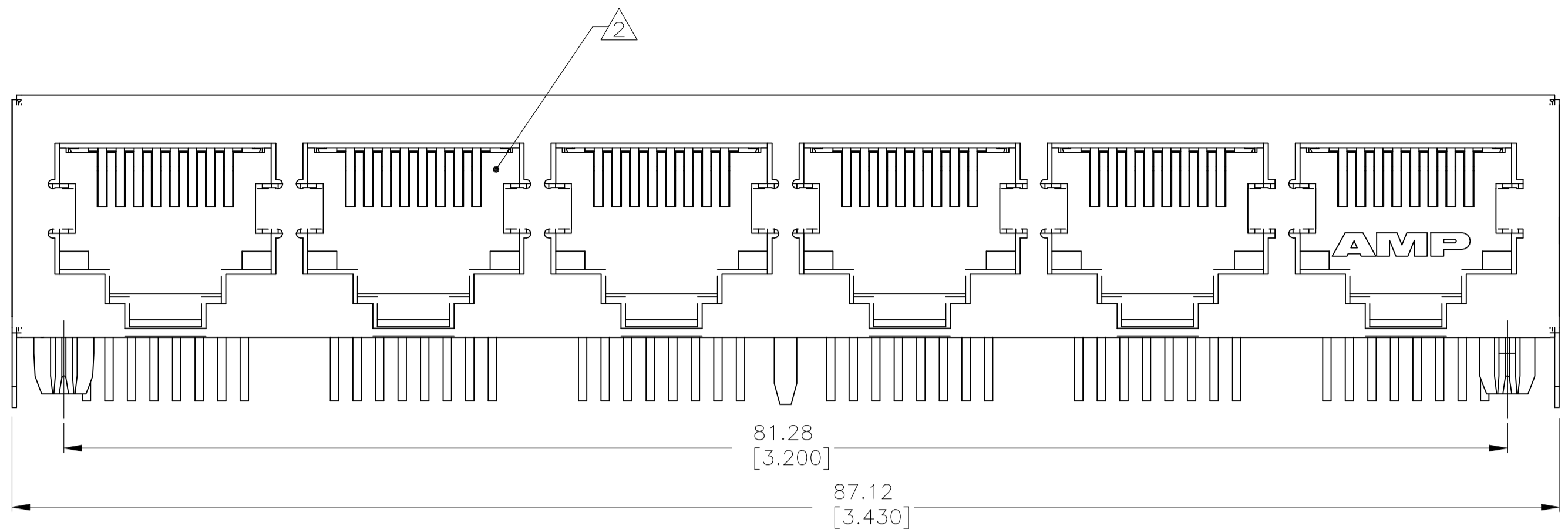
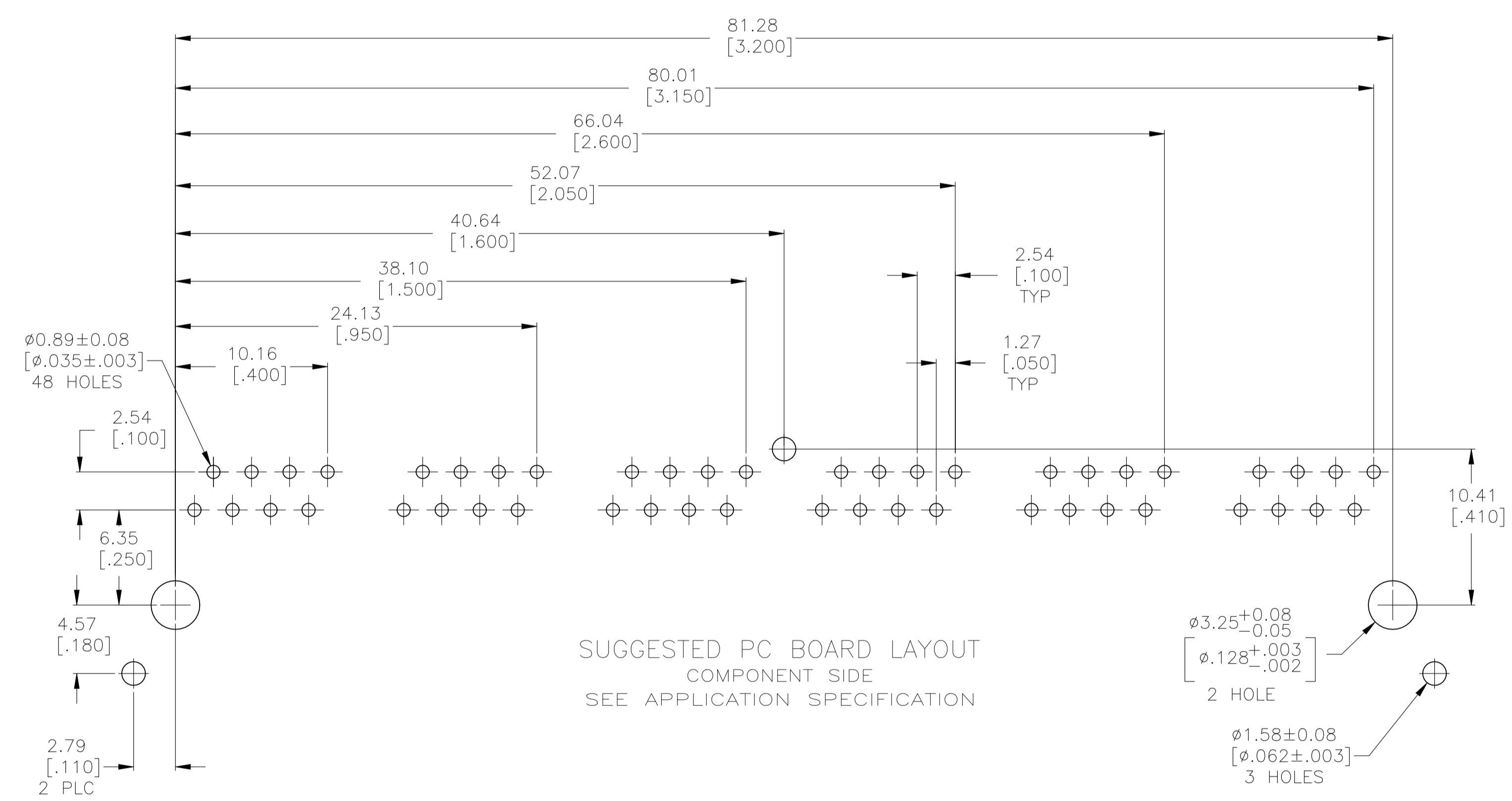


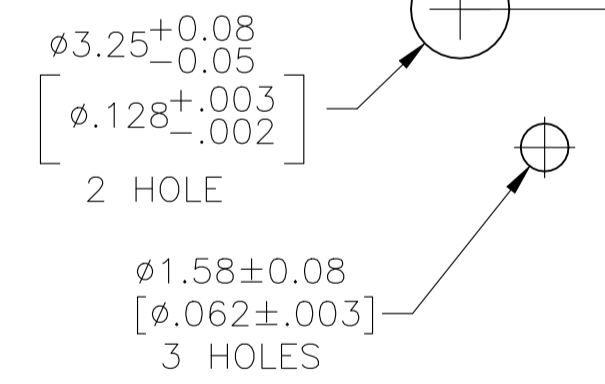
REVISIONS				
REV	DESCRIPTION	DATE	BY	APP'D
D1	ECR-19-014657	12DEC2020	RR	SZ



- MATERIAL: HOUSING-HIGH TEMPERATURE NYLON, BLACK, UL 94V-0.  
 TERMINALS - 0.33 [.013] THICK PHOS BRONZE PLATED WITH 1.27μm [.000050] MINIMUM HARD GOLD IN LOCALIZED AREA AND 3.81μm [.000150] MINIMUM MATTE TIN IN SOLDER AREA OVER  
 1.27μm [.000050] MINIMUM NICKEL UNDERPLATE  
 SHIELDS - 0.25 [.010] THICK COPPER ALLOY PLATED WITH 1.27μm [.000050] MIN NICKEL AND 2.03μm [.000080] MIN TIN HOT DIP ON PCB GROUND TABS.
- ⚠ JACK CAVITY CONFORMS TO FCC RULES AND REGULATIONS, PART 68 SUBPART F.
- ⚠ CAUTION: CATEGORY 5 JACK SOLDER TAIL POSITIONS DO NOT FOLLOW SAME NUMBER SEQUENCE AS THAT OF THE TRADITIONAL JACKS.



SUGGESTED PC BOARD LAYOUT  
 COMPONENT SIDE  
 SEE APPLICATION SPECIFICATION



5558504-1  
 PART NO.

THIS DRAWING IS A CONTROLLED DOCUMENT.		DIN W. LONG 3-8-94	TE Connectivity
DIMENSIONS: mm [INCHES]		CHK B. FOX 3-16-94	
TOLERANCES UNLESS OTHERWISE SPECIFIED:		APVD G. REED 3-16-94	NAME: MODULAR JACK ASSEMBLY, 6 PORT, 8 P, RIGHT ANGLE, CATEGORY 5e, GROUND SHIELD PRODUCT SPEC: 108-1163-2 APPLICATION SPEC: 114-2048
0. PLC ± - 1. PLC ± - 2. PLC ± 0.25 [.010] 3. PLC ± - 4. PLC ± - ANGLES ± -		SIZE: A1 CAGE CODE: 00779 DRAWING NO: 5558504	
MATERIAL: SEE NOTE 1		WEIGHT: 0.000000 CUSTOMER DRAWING	RESTRICTED TO: - SCALE: 4:1 SHEET: 1 of 1 REV: D1