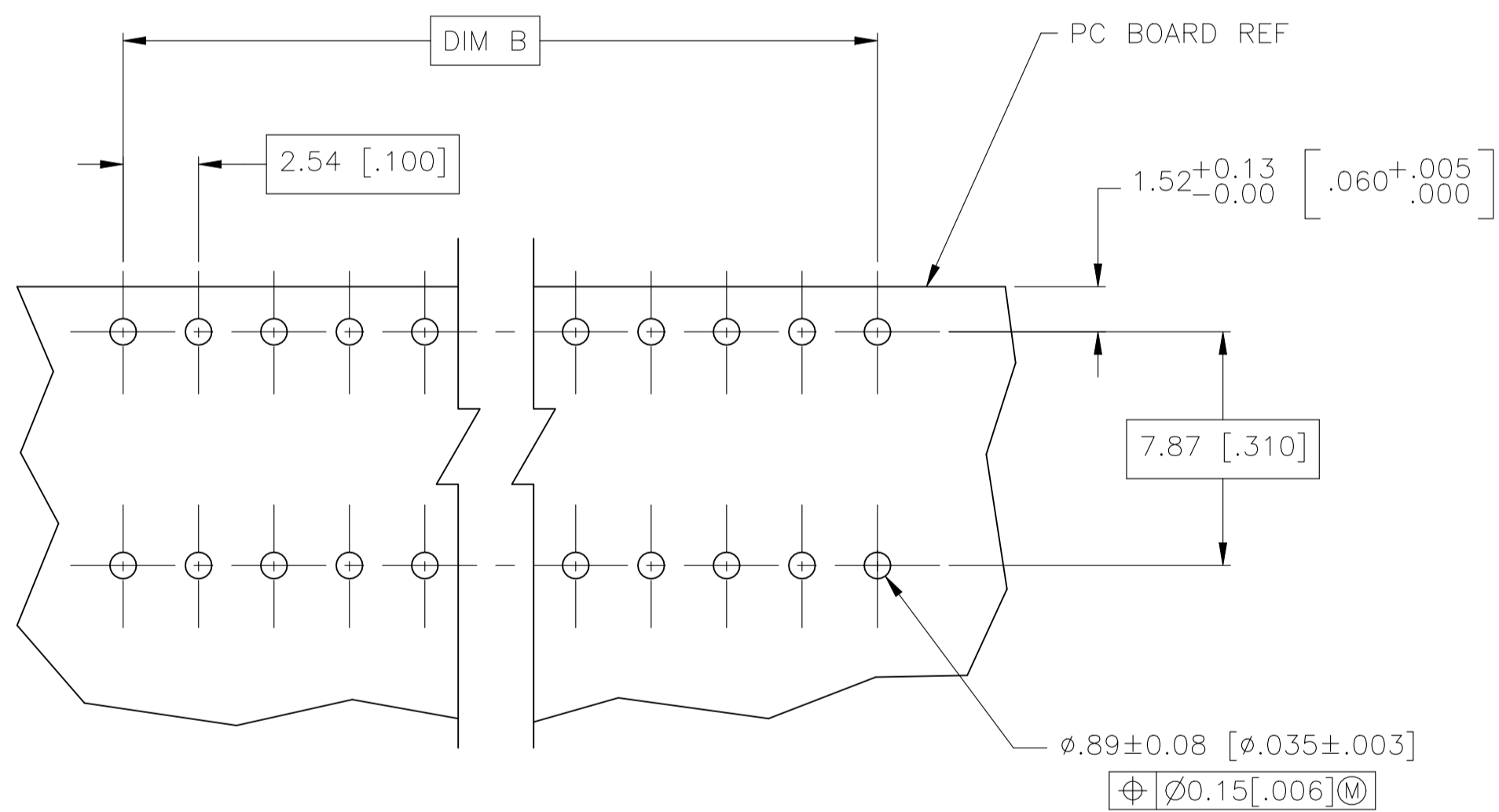
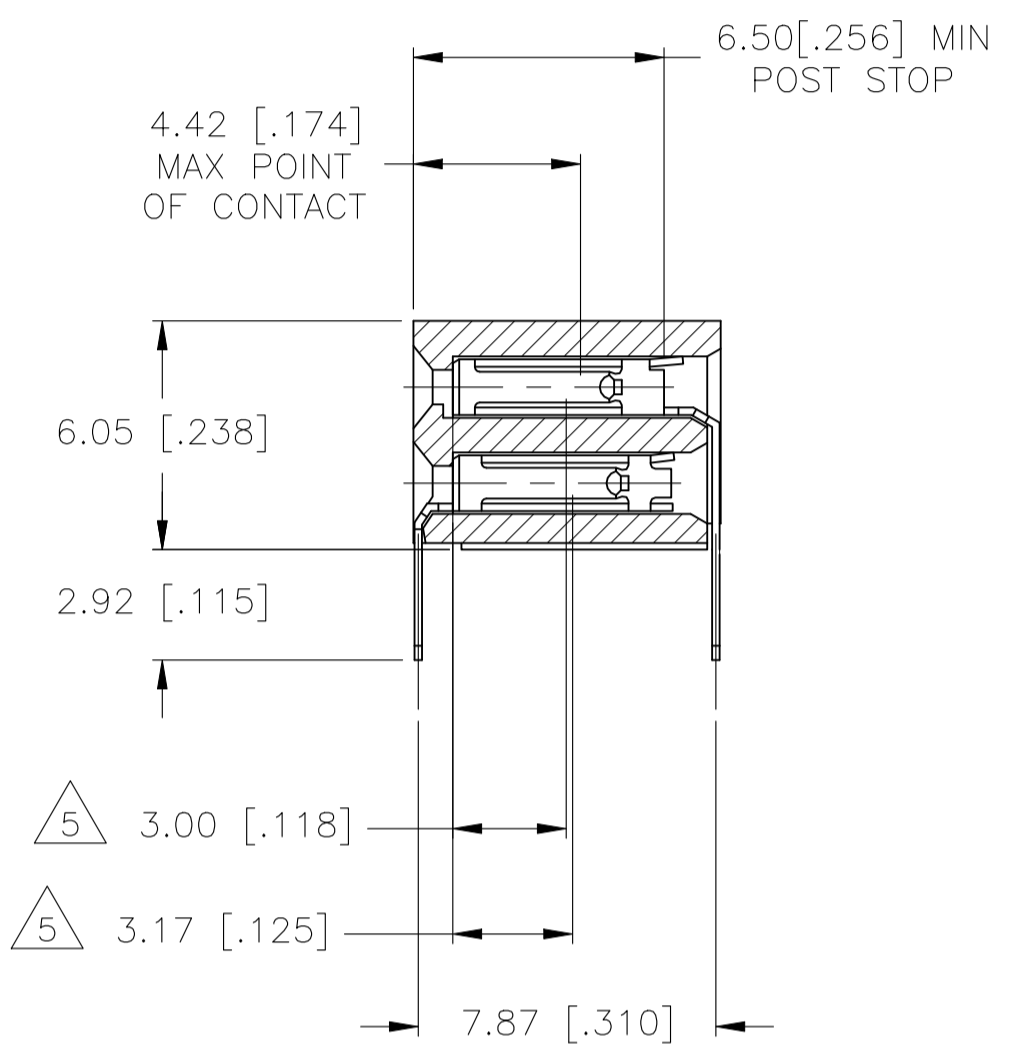
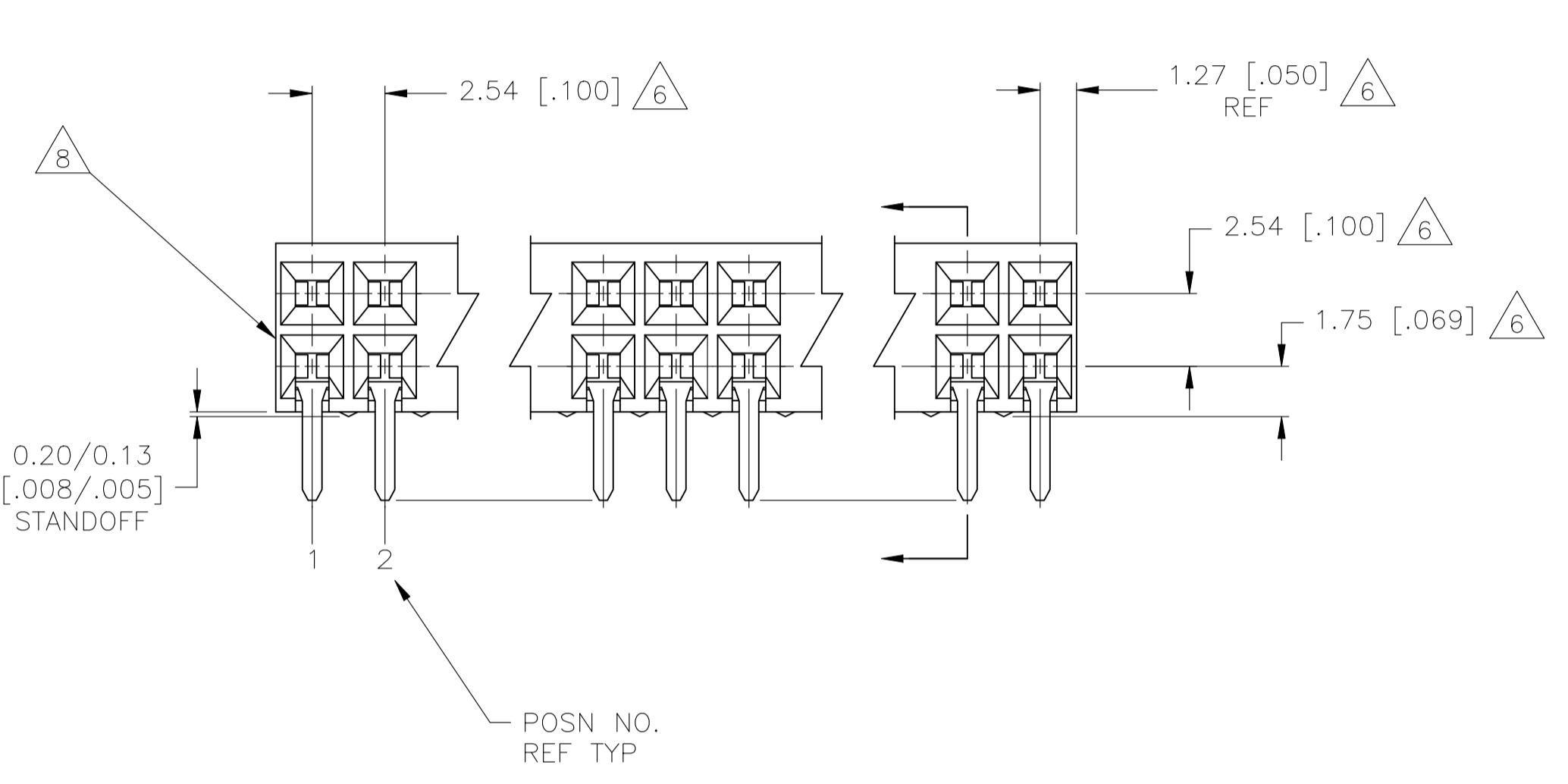
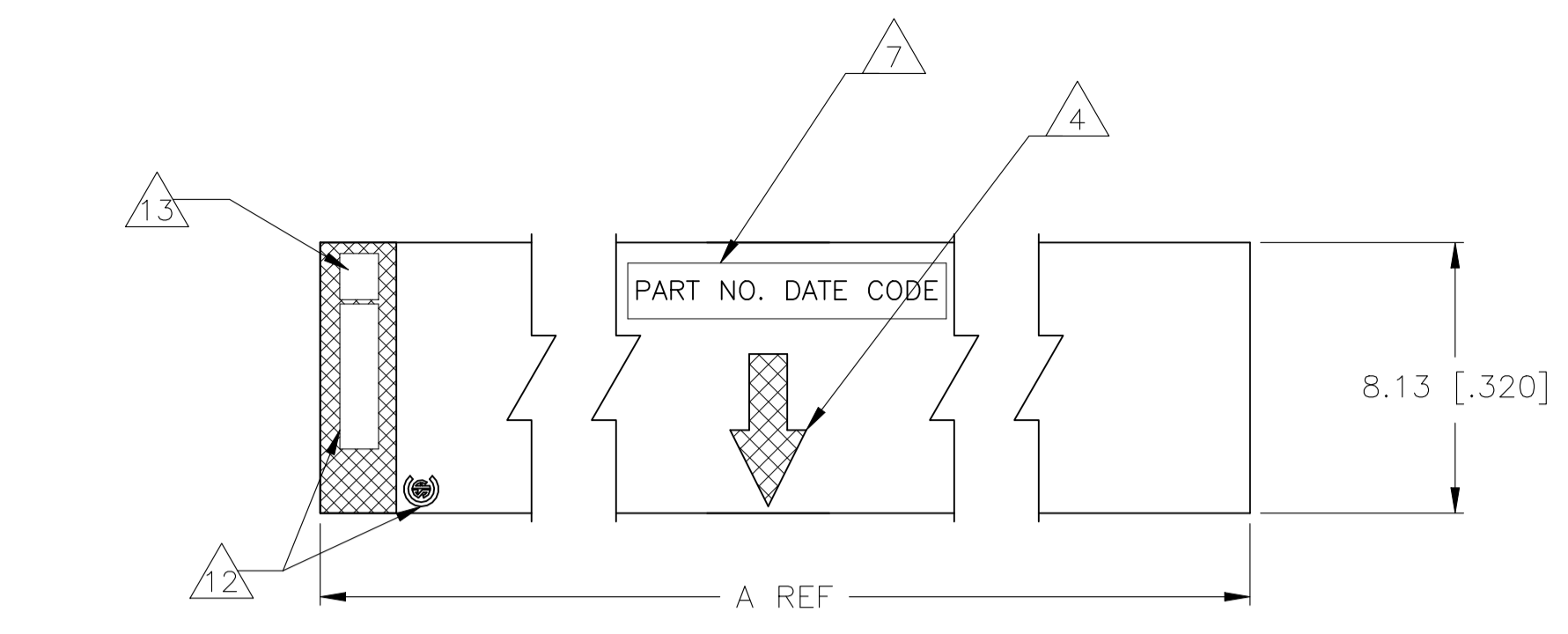


REVISIONS				
REV	DATE	BY	APPV	DESCRIPTION
C	14JUL2022	SCB	PS	POSITION 1 MARKING SHOWN



RECOMMENDED PC BOARD LAYOUT

- 1 HOUSING MATERIAL: GLASS FILLED POLYESTER, COLOR- BLACK
- 2 CONTACT MATERIAL: PHOSPHOR BRONZE
- 3 CONTACT FINISH: .00076(.000030) THK DUPLEX PLATED GOLD ON CONTACT AREA 3.81-7.62μm(.000150-.000300)MATTE TIN ALL OVER 0.00127(.000050)NICKEL.
- 4 MOLDED IN ARROW DESIGNATES THE MATING FACE OF THE CONNECTOR
- 5 POINT OF MEASUREMENT FOR PLATING THICKNESS OF CONTACT AREA
- 6 DIMENSIONS PERTAIN TO HOUSING CAVITY CENTERLINES
- 7 PART NUMBER AND DATE CODE MARKED IN APPROXIMATE LOCATION SHOWN, EITHER SIDE.
- 8 ALTERNATE LOCATION FOR DATE CODE FOR 4 AND 6 POSITION.
- 9 NO PART NUMBER MARKING REQUIRED ON THIS PART.
- 10 ROHS 2002/95/EC COMPLIANT.
- 12 TE LOGO AND CSA LOGO ARE MOLDED INTO HOUSING, THIS LOCATION
- 13 POSITION #1 MARKING ON THIS LOCATION FOR ALL PART NUMBERS EXCEPT 6-5535512-1

REV	DATE	BY	APPV	DESCRIPTION
9				10.16 [.400]
9				12.70 [.500]
9				10
9				6-5535512-4
9				7.62 [.300]
9				10.16 [.400]
9				8
9				6-5535512-3
9				5.08 [.200]
9				7.62 [.300]
9				6
9				6-5535512-2
9				2.54 [.100]
9				5.08 [.200]
9				4
9				6-5535512-1
9				162.56 [6.400]
9				165.10 [6.500]
9				130
9				6-5535512-0
9				160.02 [6.300]
9				162.56 [6.400]
9				128
9				5-5535512-9
9				157.48 [6.200]
9				160.02 [6.300]
9				126
9				5-5535512-8
9				152.40 [6.000]
9				154.94 [6.100]
9				122
9				5-5535512-7
9				149.86 [5.900]
9				152.40 [6.000]
9				120
9				5-5535512-6
9				147.32 [5.800]
9				149.86 [5.900]
9				118
9				5-5535512-5
9				144.78 [5.700]
9				147.32 [5.800]
9				116
9				5-5535512-4
9				142.24 [5.600]
9				144.78 [5.700]
9				114
9				5-5535512-3
9				139.70 [5.500]
9				142.24 [5.600]
9				112
9				5-5535512-2
9				137.16 [5.400]
9				139.70 [5.500]
9				110
9				5-5535512-1
9				134.62 [5.300]
9				137.16 [5.400]
9				108
9				5-5535512-0
9				132.08 [5.200]
9				134.62 [5.300]
9				106
9				4-5535512-9
9				129.54 [5.100]
9				132.08 [5.200]
9				104
9				4-5535512-8
9				127.00 [5.000]
9				129.54 [5.100]
9				102
9				4-5535512-7
9				124.46 [4.900]
9				127.00 [5.000]
9				100
9				4-5535512-6
9				121.92 [4.800]
9				124.46 [4.900]
9				98
9				4-5535512-5
9				119.38 [4.700]
9				121.92 [4.800]
9				96
9				4-5535512-4
9				116.84 [4.600]
9				119.38 [4.700]
9				94
9				4-5535512-3
9				114.30 [4.500]
9				116.84 [4.600]
9				92
9				4-5535512-2
9				111.76 [4.400]
9				114.30 [4.500]
9				90
9				4-5535512-1
9				109.22 [4.300]
9				111.76 [4.400]
9				88
9				4-5535512-0
9				106.68 [4.200]
9				109.22 [4.300]
9				86
9				3-5535512-9
9				104.14 [4.100]
9				106.68 [4.200]
9				84
9				3-5535512-8
9				101.16 [4.000]
9				104.14 [4.100]
9				82
9				3-5535512-7
9				91.44 [3.600]
9				93.98 [3.700]
9				74
9				3-5535512-6
9				88.90 [3.500]
9				91.44 [3.600]
9				72
9				3-5535512-5
9				83.82 [3.300]
9				86.36 [3.400]
9				68
9				3-5535512-4
9				81.28 [3.200]
9				83.82 [3.300]
9				66
9				3-5535512-3
9				78.74 [3.100]
9				81.28 [3.200]
9				64
9				3-5535512-2
9				76.20 [3.000]
9				78.74 [3.100]
9				62
9				3-5535512-1
9				73.66 [2.900]
9				76.20 [3.000]
9				60
9				3-5535512-0
9				71.12 [2.800]
9				73.66 [2.900]
9				58
9				2-5535512-9
9				63.50 [2.500]
9				66.04 [2.600]
9				52
9				2-5535512-8
9				55.88 [2.200]
9				58.42 [2.300]
9				46
9				2-5535512-7
9				50.8 [2.000]
9				53.34 [2.100]
9				42
9				2-5535512-6
9				48.26 [1.900]
9				50.8 [2.000]
9				40
9				2-5535512-5
9				45.72 [1.800]
9				48.26 [1.900]
9				38
9				2-5535512-4
9				38.10 [1.500]
9				40.64 [1.600]
9				32
9				2-5535512-3
9				35.56 [1.400]
9				38.10 [1.500]
9				30
9				2-5535512-2
9				33.02 [1.300]
9				35.56 [1.400]
9				28
9				2-5535512-1
9				30.48 [1.200]
9				33.02 [1.300]
9				26
9				2-5535512-0
9				25.40 [1.000]
9				27.94 [1.100]
9				22
9				1-5535512-9
9				17.78 [.700]
9				20.32 [.800]
9				16
9				1-5535512-8
9				15.24 [.600]
9				17.78 [.700]
9				14
9				1-5535512-7
9				20.32 [.800]
9				22.86 [.900]
9				18
9				1-5535512-6
9				58.42 [2.300]
9				60.96 [2.400]
9				48
9				1-5535512-5
9				154.94 [6.100]
9				157.48 [6.200]
9				124
9				1-5535512-4
9				99.06 [3.900]
9				101.16 [4.000]
9				80
9				1-5535512-3
9				96.52 [3.800]
9				99.06 [3.900]
9				78
9				1-5535512-2
9				93.98 [3.700]
9				96.52 [3.800]
9				76
9				1-5535512-1
9				86.36 [3.400]
9				88.90 [3.500]
9				70
9				1-5535512-0
9				68.58 [2.700]
9				71.12 [2.800]
9				56
9				5535512-9
9				66.04 [2.600]
9				68.58 [2.700]
9				54
9				5535512-8
9				60.96 [2.400]
9				63.50 [2.500]
9				50
9				5535512-7
9				53.34 [2.100]
9				55.88 [2.200]
9				44
9				5535512-6
9				43.18 [1.700]
9				45.72 [1.800]
9				36
9				5535512-5
9				40.64 [1.600]
9				43.18 [1.700]
9				34
9				5535512-4
9				27.94 [1.100]
9				30.48 [1.200]
9				24
9				5535512-3
9				22.86 [.900]
9				25.40 [1.000]
9				20
9				5535512-2
9				12.70 [.500]
9				15.24 [.600]
9				12
9				5535512-1

THIS DRAWING IS A CONTROLLED DOCUMENT.

DIN BSV 04NOV04
 CJK -
 J OLSON -
 APVD J OLSON -
 NAME AMPMODU MOD II RECEPTACLE ASSEMBLY, HORIZONTAL, 100 CL, 2 ROW, CLOSED-ENTRY, SHORT POINT OF CONTACT, END-TO-END STACKABLE

DIMENSIONS: mm
 TOLERANCES UNLESS OTHERWISE SPECIFIED:
 0. PLC ± -
 1. PLC ± -
 2. PLC ± 0.13 [.005]
 3. PLC ± -
 4. PLC ± -
 ANGLES ± -

MATERIAL FINISH WEIGHT

SIZE CAGE CODE DRAWING NO. RESTRICTED TO
 114-25018 A1 00779 5535512

CUSTOMER DRAWING SCALE 5:1 SHEET 1 of 1 REV C