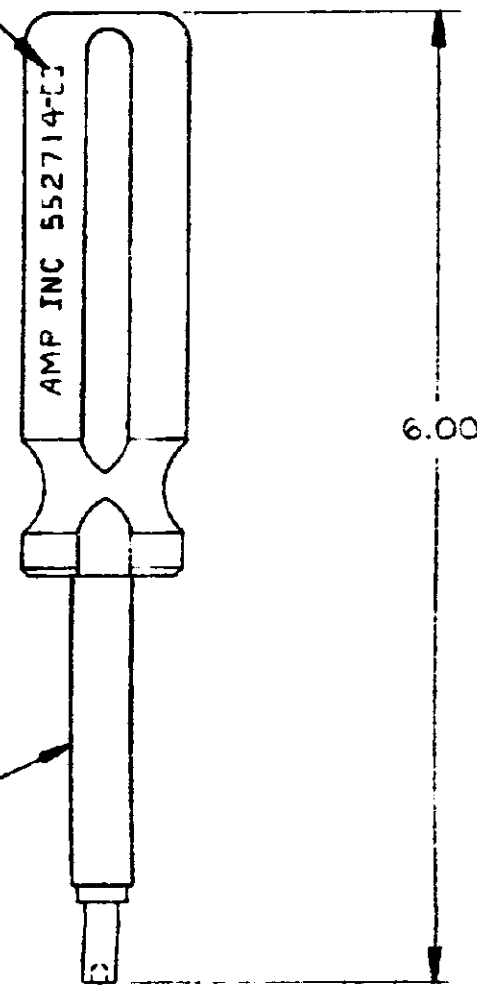


DRAWING MADE IN THIRD ANGLE PROJECTION

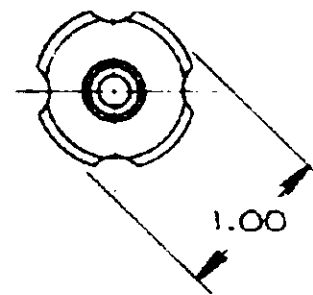
© COPYRIGHT 1979 BY AMP INCORPORATED, HARRISBURG, PA. ALL INTERNATIONAL RIGHTS RESERVED. AMP INCORPORATED PRODUCTS COVERED BY U. S. AND FOREIGN PATENTS AND/OR PATENTS PENDING.

REVISIONS					
P	F	ZONE/LTR	DESCRIPTION	DATE	APPROVED
6			REV PER ECN AA-1556	3/19/82	MS

PART NUMBER  
(SEE TABLE)



COLOR CODED  
HEAT-SHRINK  
TUBING



1. MATERIAL: HANDLE - CELLULOSIC - (AMBER).  
SHANK & PIN - CARBON STEEL.
2. ALL DIMENSIONS SHOWN ARE FOR REFERENCE ONLY,  
UNLESS OTHERWISE SPECIFIED.

WAS 1222-77-1 THRU-4 1-6

552714

COLOR CODE	WIRE RANGE	FOR USE WITH TERMINAL NO.	PART NO
GREEN	26-28 AWG	553015-1 & -2	552714-5
BLUE	22-28 AWG	552967-1 & -2	552714-4
WHITE	24-28 AWG	552699-1 THRU-6	552714-3
RED	18-24 AWG	552770-1 & -2	552714-2
YELLOW	18-22 AWG	552699-1 THRU-6	552714-1

UNLESS OTHERWISE SPECIFIED DIMENSIONS ARE IN INCHES. TOLERANCES ON: DECIMALS ± .004 ANGLES ± .004	CONTRACT NO	AMP INCORPORATED Harrisburg, Pa	
	DR CHK APPD	NAME	
	MATERIAL	STUFFER, WIRE, AMP-BARREL	
	FINISH	SIZE CODE IDENT NO	DRAWING NO
	10-479	C	00779
	10/5/79	SCALE	1/1
	12/13/79	SHEET 1 OF 1	

CUSTOMER DRAWING