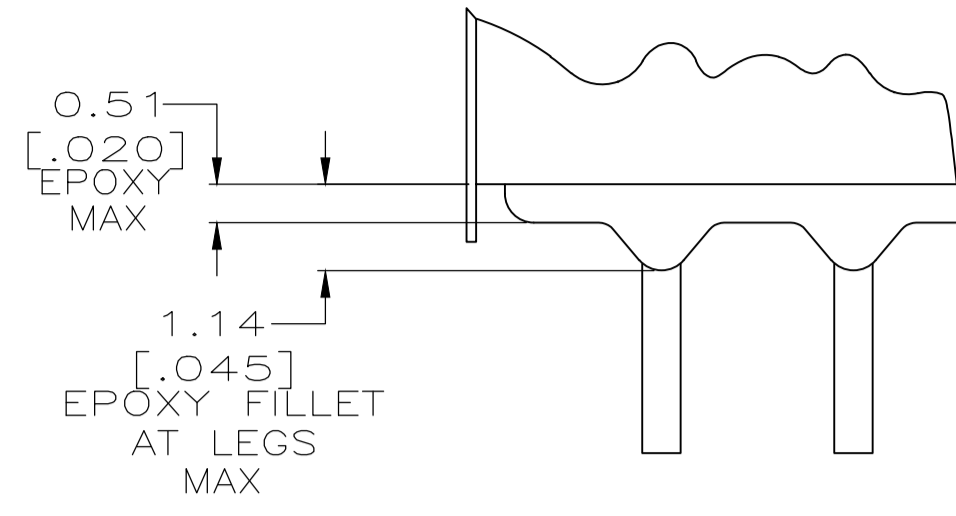
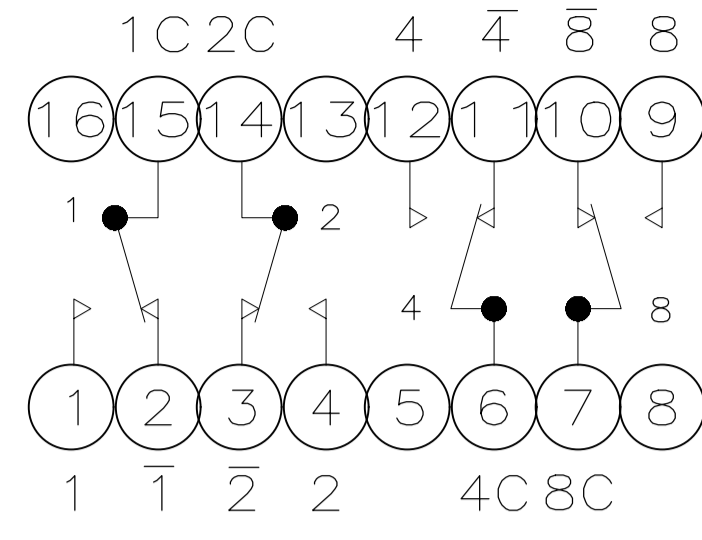


REVISIONS					
P	LTR	DESCRIPTION	DATE	DMN	APVD
L		ECO-20-004897	24AUG2020	SB	JB

- 1. SLOT FOR SCREWDRIVER ACTUATION, AFTER REMOVAL OF TAPE.
- 2. FOR ADDITIONAL SPECIFICATIONS SEE AMP PRODUCT SPEC 108-7066 AND INSTRUCTION SHEET 6811.
- 3. SWITCH BOTTOM IS SEALED.
- 4. CONTACT FINISH TO BE 0.00076 [.000030] GOLD OVER NICKEL.
- 5. MATERIAL:
HOUSING : BLACK POLYESTER
CONTACTS : BERYLLIUM COPPER.
- 6. REMOVABLE TAPE TO SEAL ACTUATOR END.
- 7. MARKS WILL BE ADDED BY LASER MARK PROCESS.



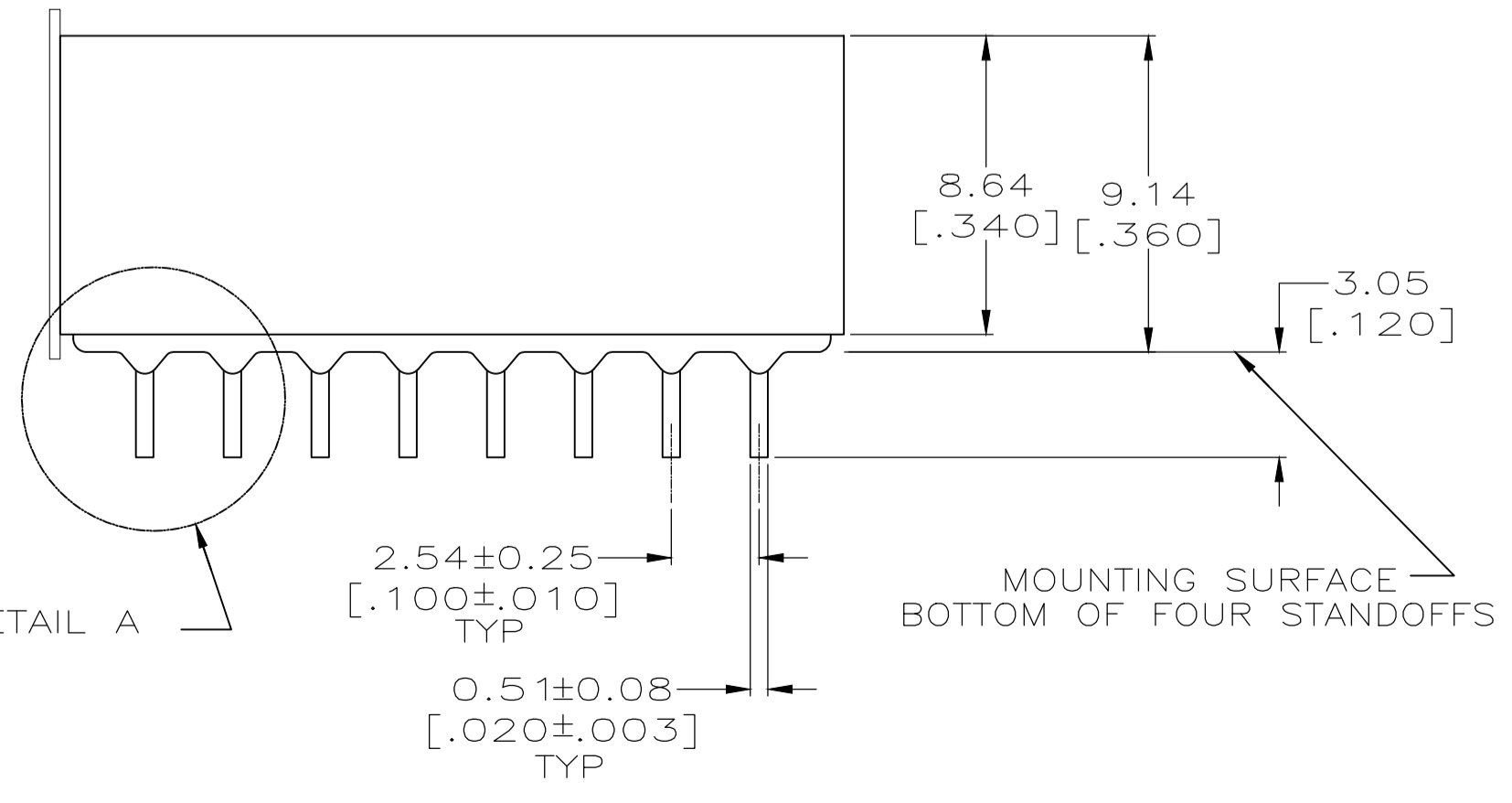
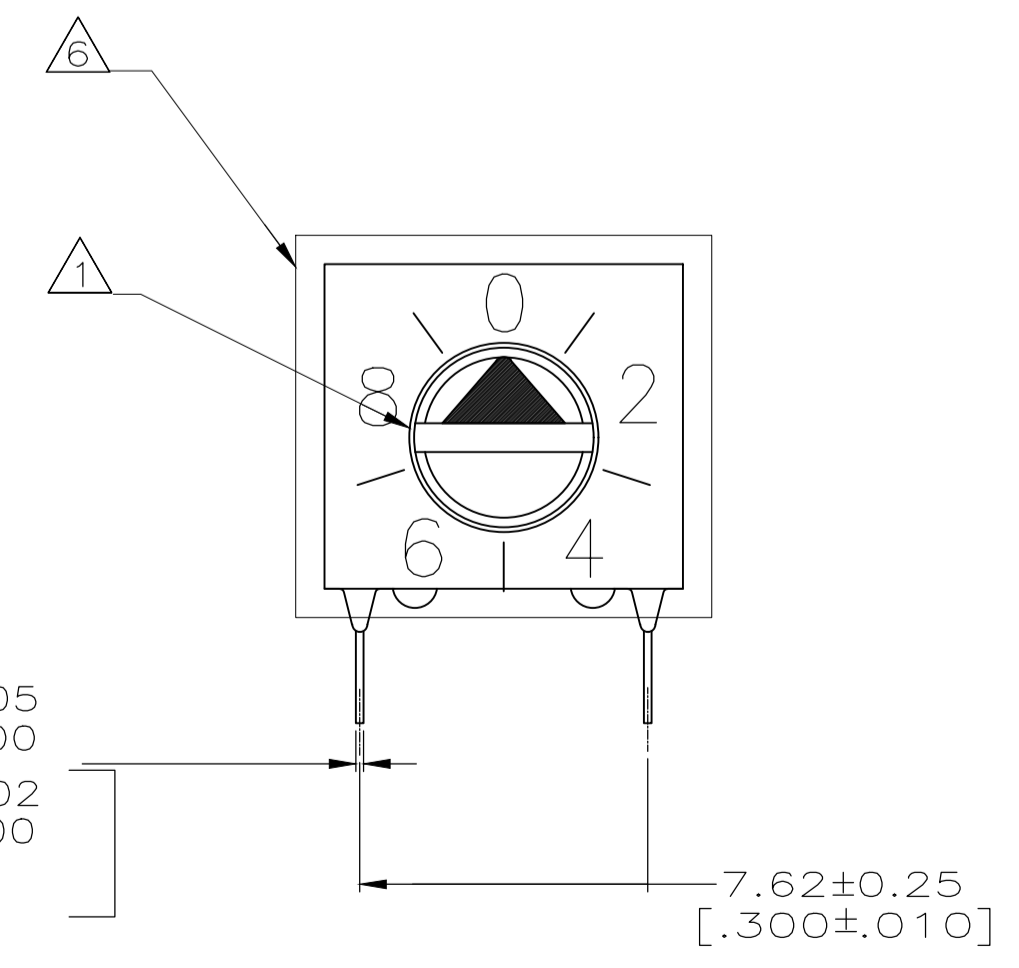
DETAIL A
SCALE 10:1



SCHEMATIC
(POSITION 0)

		POSITION									
		0	1	2	3	4	5	6	7	8	9
COMMON TO	1		●		●		●		●		●
	2			●	●			●	●		
	4					●	●	●	●		
	8									●	●
	1-bar	●		●		●		●		●	
	2-bar	●	●			●	●			●	●
	4-bar	●	●	●	●					●	●
	8-bar	●	●	●	●	●	●	●	●		

BCD WITH COMPLEMENT



54778-1
PART NUMBER

THIS DRAWING IS A CONTROLLED DOCUMENT.		DIN W. SORAH 1-8-97	TE Connectivity	
DIMENSIONS: INCHES		CHK: R. TALLEY 1-8-97		
TOLERANCES UNLESS OTHERWISE SPECIFIED:		APVD: J. ROBB 1-8-97	NAME: SWITCH ASSY, PREPROGRAMMED DIP, 10 POSITION, SCREWDRIVER SLOT	
0 PLC ± - 1 PLC ± - 2 PLC ± 0.30 [.012] 3 PLC ± - 4 PLC ± - ANGLES ± -		PRODUCT SPEC	RESTRICTED TO	
MATERIAL		APPLICATION SPEC	SIZE: A1	CAGE CODE: 00779
FINISH		WEIGHT	DRAWING NO: 54778	REV: L
		CUSTOMER DRAWING	SCALE: 5:1	SHEET 1 OF 1