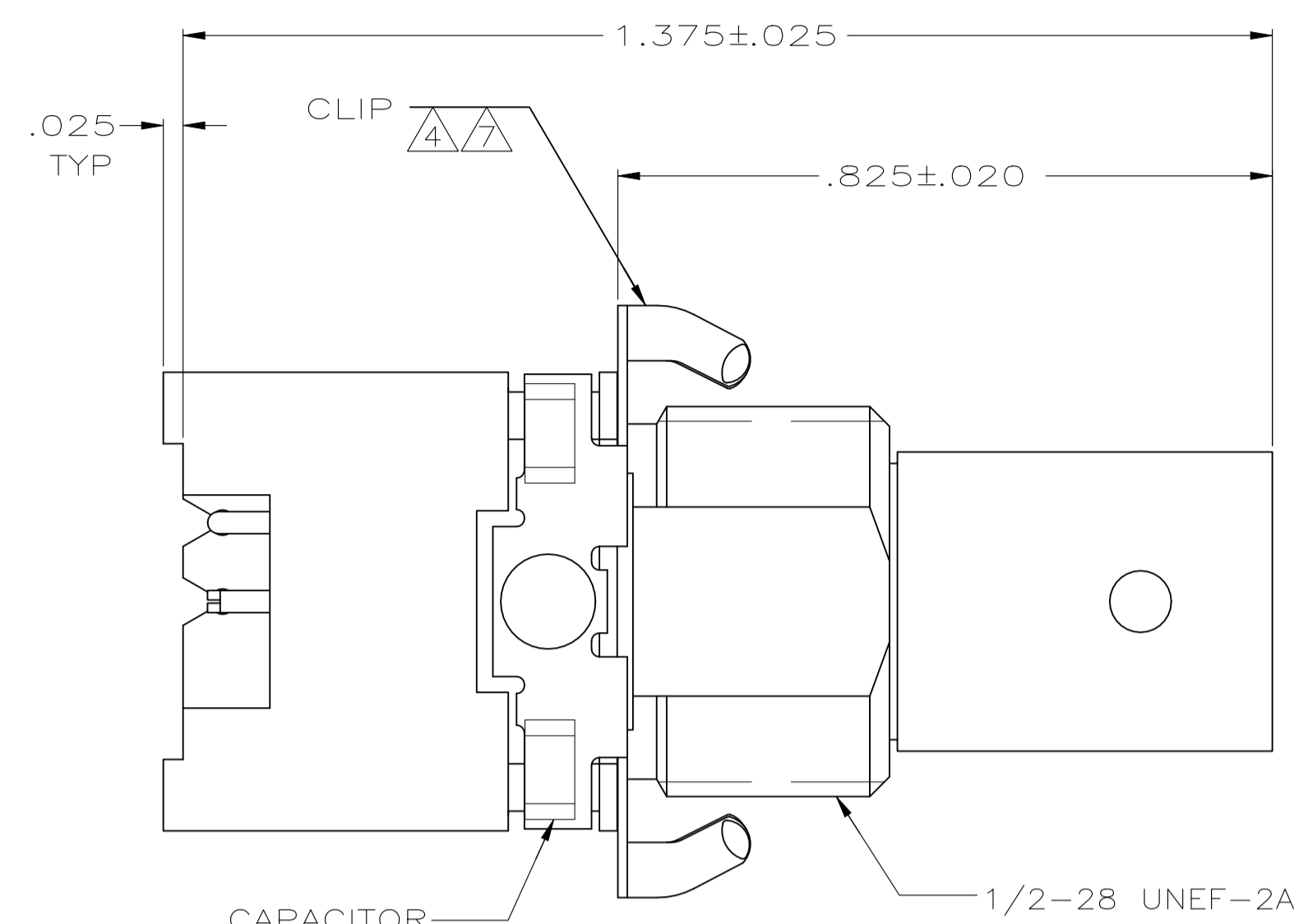
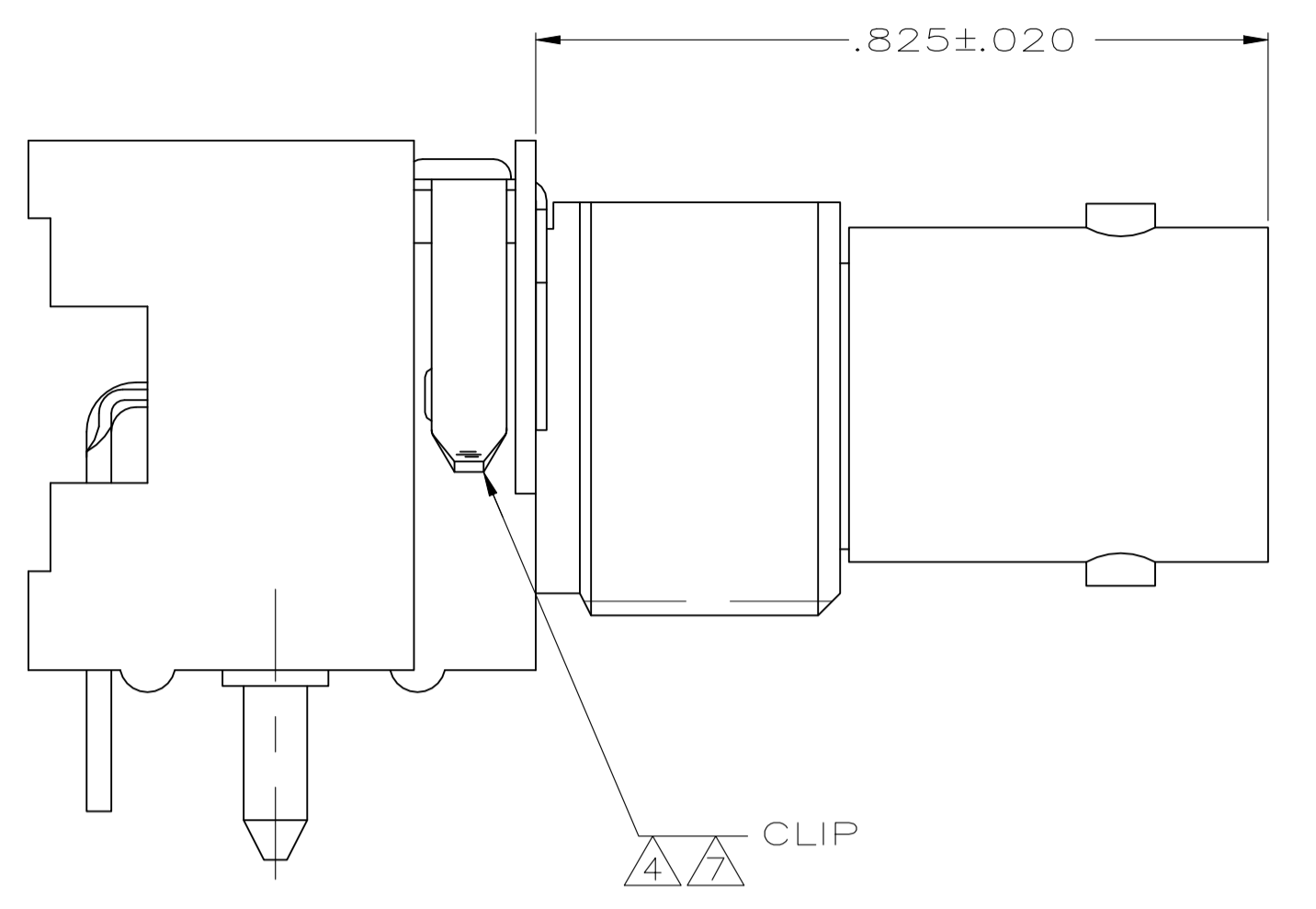
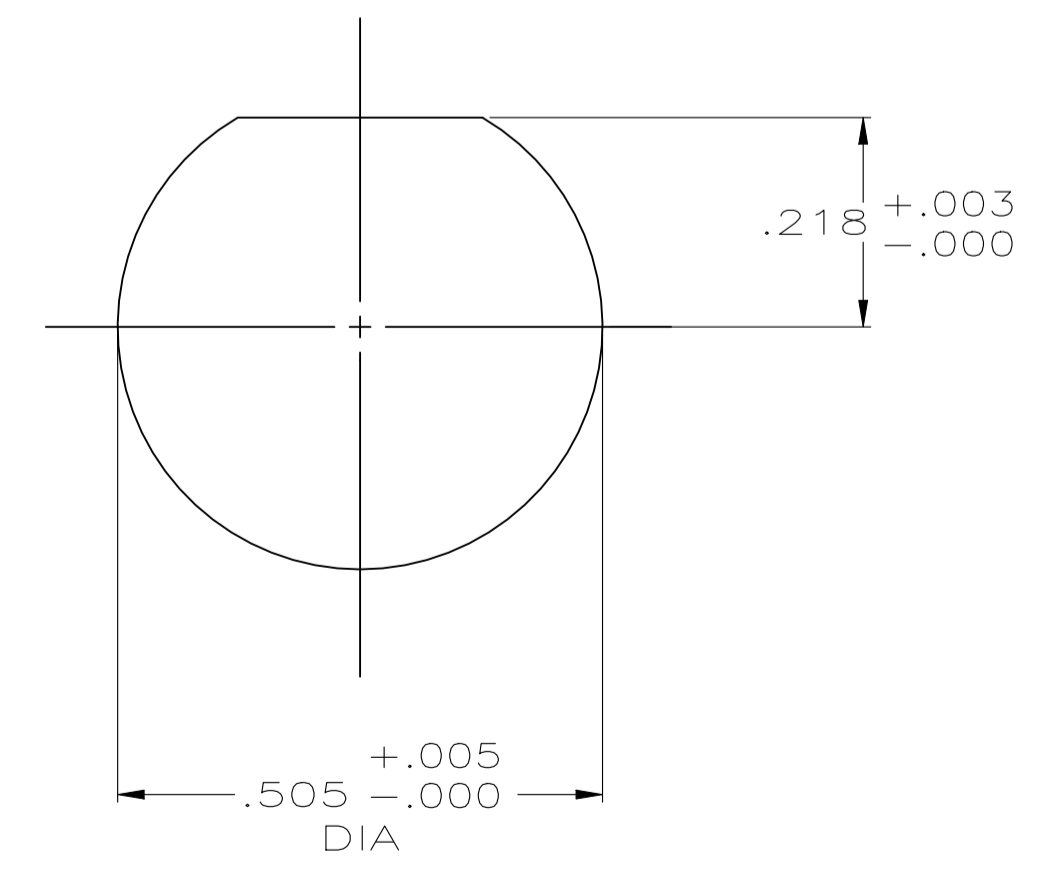
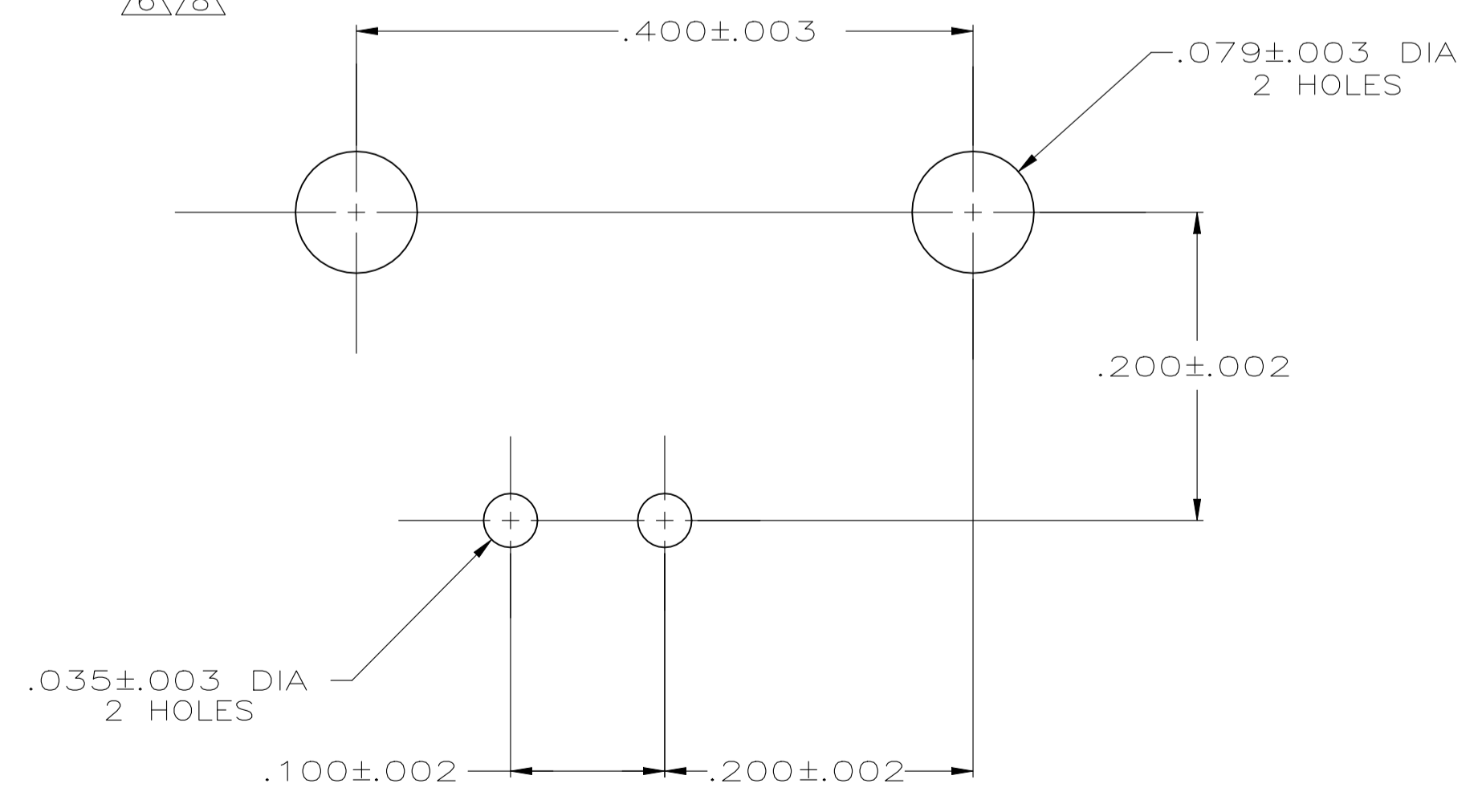
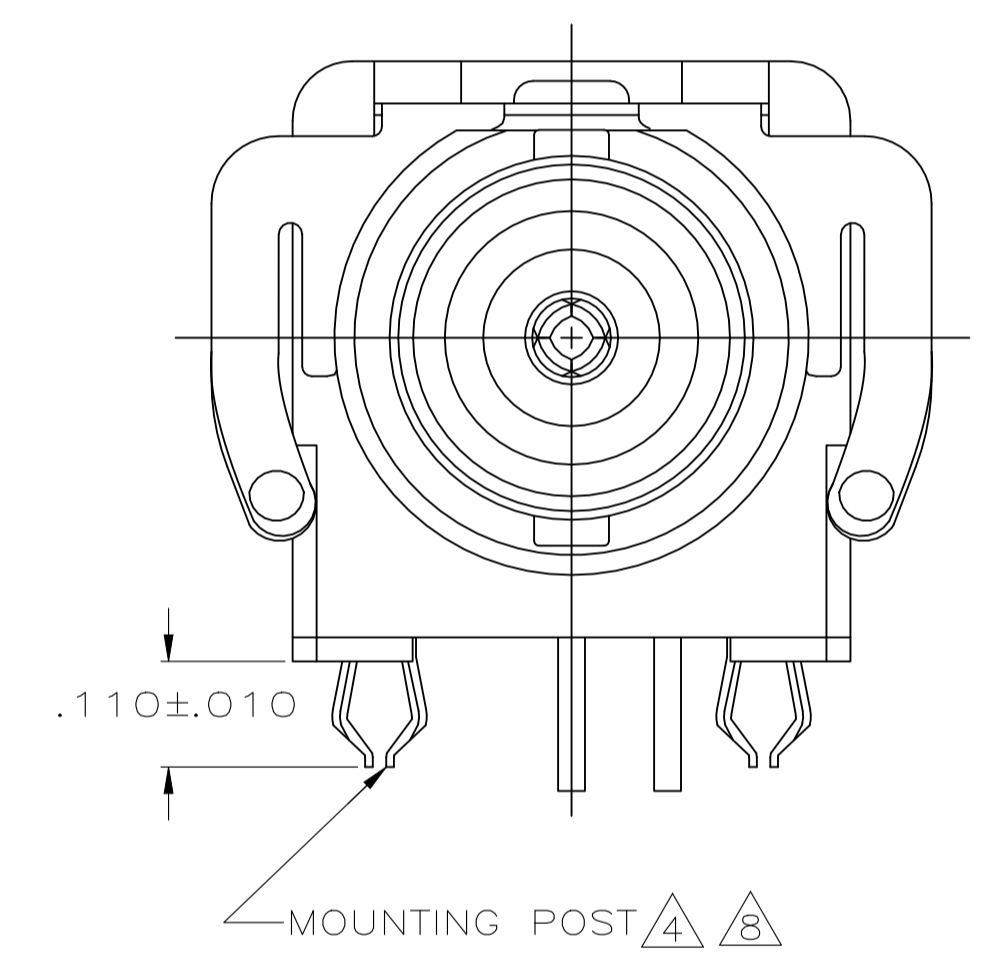
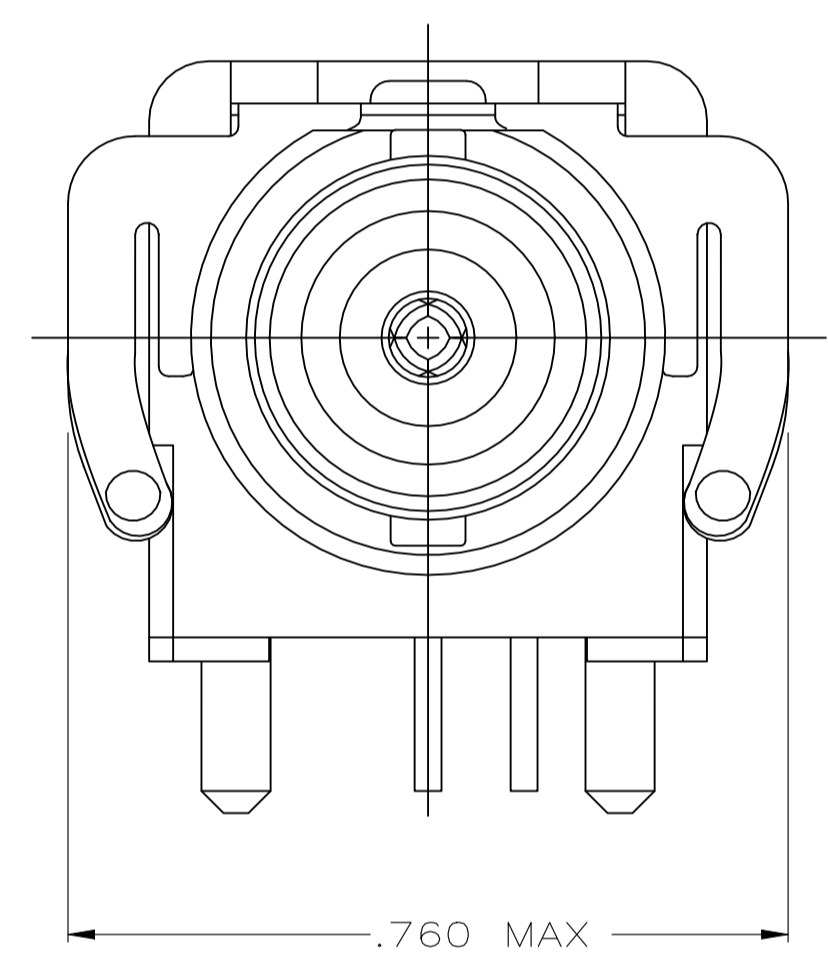
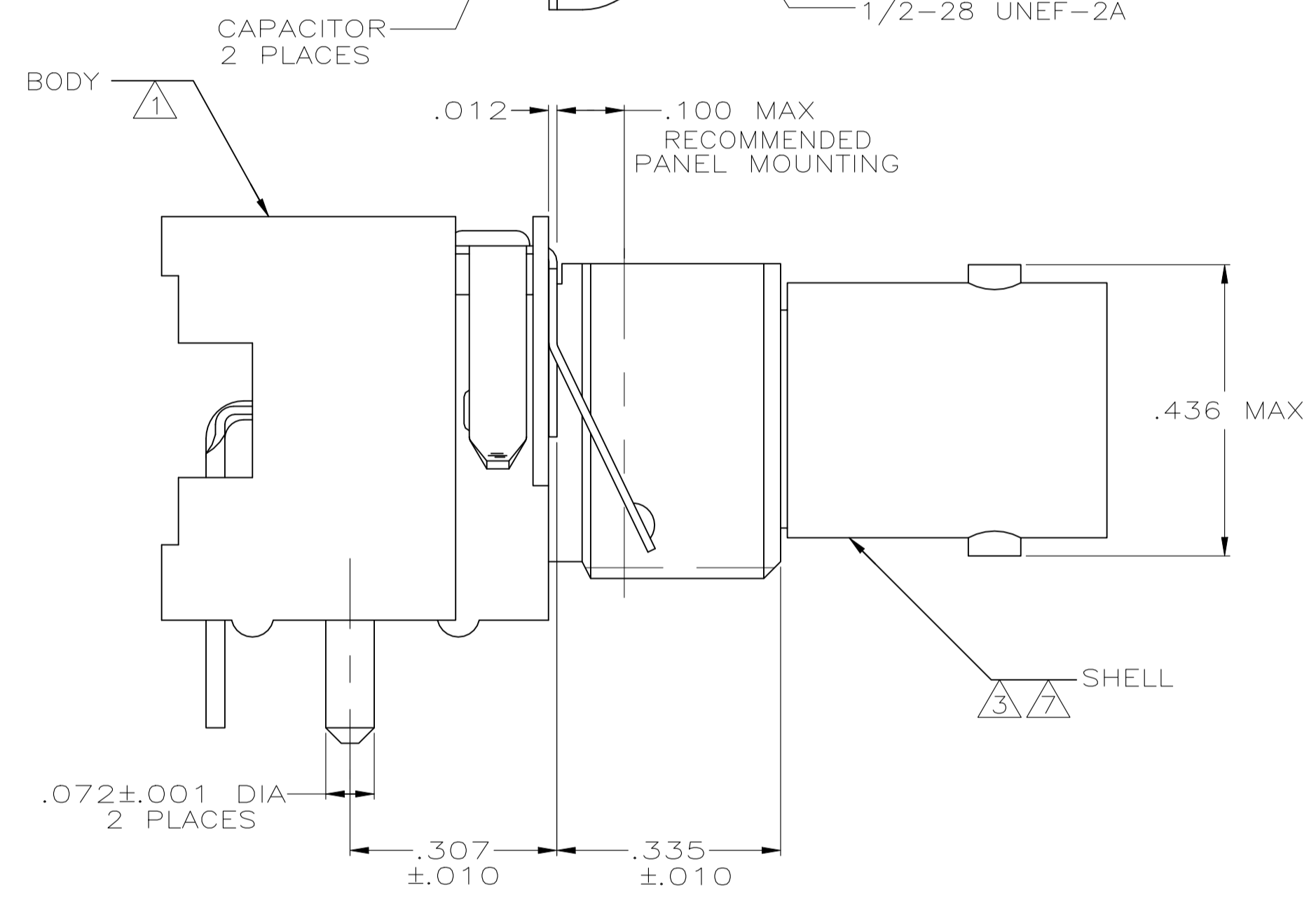
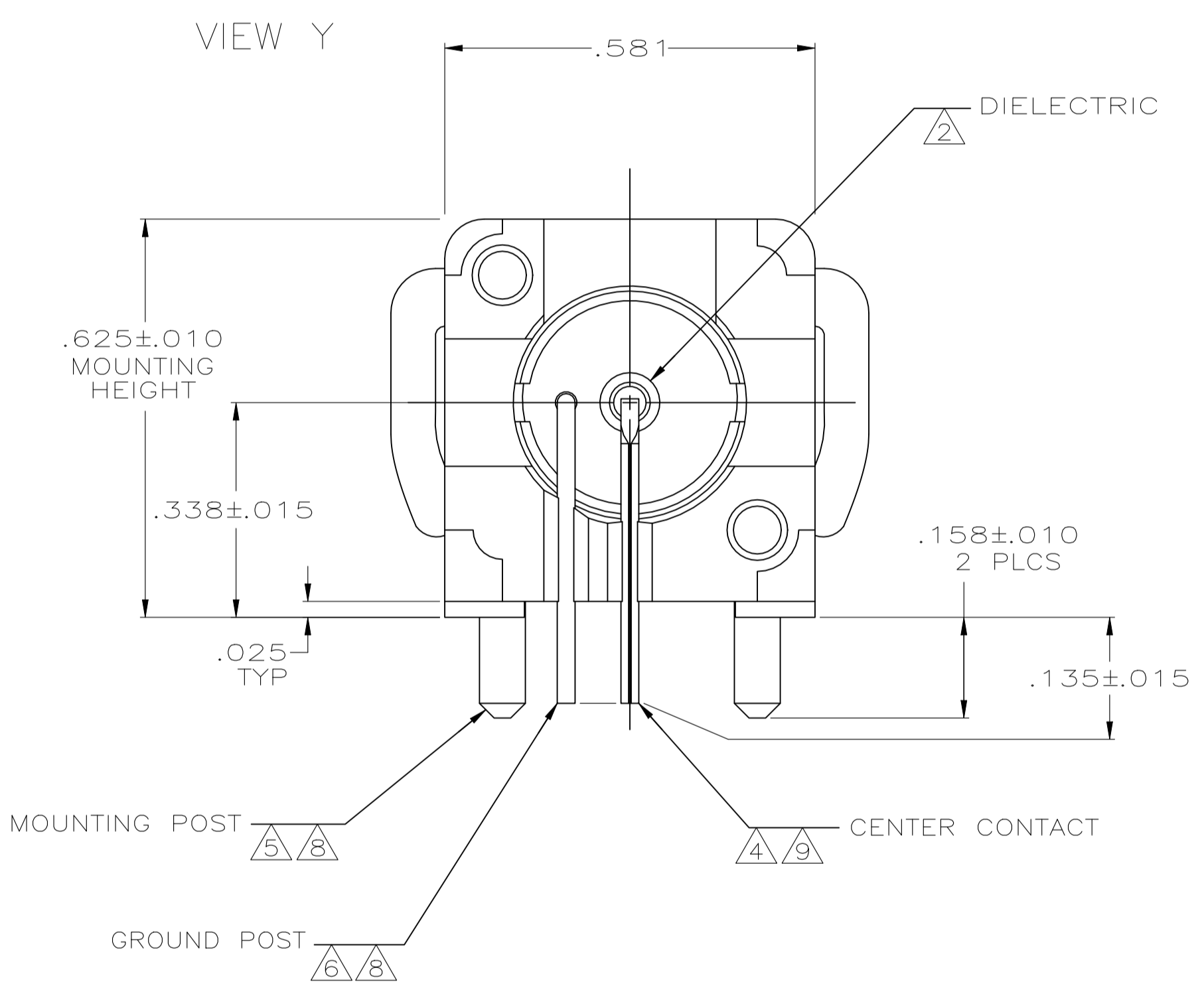


REVISIONS					
P	LTR	DESCRIPTION	DATE	DWN	APVD
B1		REVISED PER ECN-22-147270	05APR2022	RZ	WK



- 1 POLYESTER, PBT, BLACK, PER MIL-M-24519
- 2 POLYMETHYLPENTENE, GENERAL PURPOSE
- 3 ZINC PER QQ-Z-363
- 4 PHOSPHOR BRONZE PER QQ-B-750
- 5 BRASS PER ASTM-B-16
- 6 BRASS PER ASTM-B-453
- 7 NICKEL PL PER QQ-N-290
- 8 TIN PL PER ASTM-B-545
- 9 SELECTIVELY GOLD PLATED ON INTERFACE AREA PER ASTM-B-488, .000030 THK, TIN PLATED ON SOLDER TAIL PER ASTM-B-545, ALL OVER NICKEL PL PER QQ-N-290



VIEW Z	VIEW X	9400 pf, 1500 VDC	5413524-5
VIEW X OR Y	VIEW X	9400 pf, 1500 VDC	5413524-2
MOUNTING POST	CLIP	CAPACITANCE & VOLTAGE	PART NUMBER

THIS DRAWING IS A CONTROLLED DOCUMENT.		DIN 22APR2005		L. VARELA - DOCKS	
DIMENSIONS: INCHES		TOLERANCES UNLESS OTHERWISE SPECIFIED:		CHK J. HAVENER	
0 PL ± -		1 PL ± -		APVD J. LIPPERT	
1 PL ± -		2 PL ± -		NAME	
2 PL ± -		3 PL ± .008		PRODUCT SPEC	
3 PL ± -		4 PL ± -		APPLICATION SPEC	
4 PL ± -		ANGLES ± -		SIZE	
MATERIAL THRU		FINISH		WEIGHT	
1		6		0.000000	
		7		A1 00779	
		8		C=5413524	
		9		CUSTOMER DRAWING	
				SCALE 5:1 SHEET 1 of 1 REV B1	