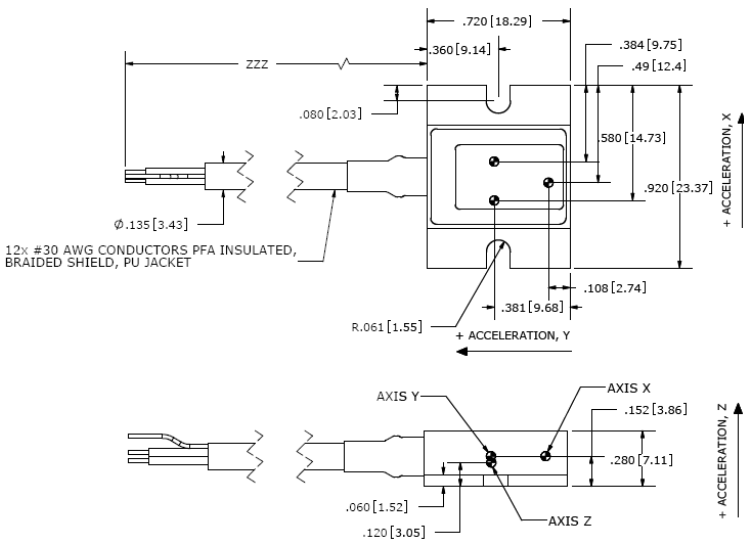


MODEL 53AF ACCELEROMETER



DIMENSIONS



SPECIFICATIONS

- Triaxial DC Accelerometer
- Low Cost, High Performance
- ±50g to ±2000g Range
- Low Profile, Flange Mount

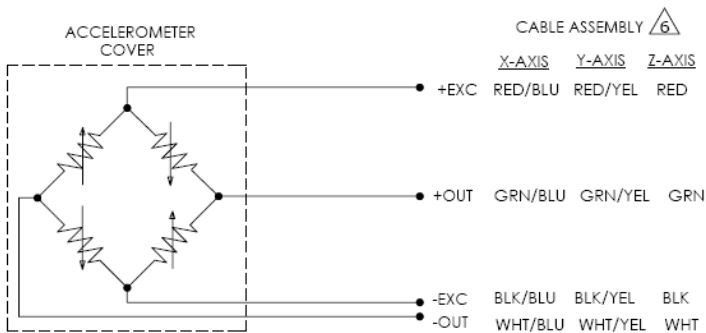
The Model 53AF Accelerometer is a small, compact triaxial device designed for vehicle impact and road testing. Its mechanical overload stops provide high shock protection in rugged applications. Featuring ranges from ±50g to ±2000g and frequency response to 5000 Hz, this sensor is easily mounted in hard to reach places on vehicles under test.

FEATURES

- ±50g to ±2000g Dynamic Range
- 2-10 Vdc Excitation
- -20 to +85°C Operating Range
- ±50 mV Zero Measurand Output
- Gas Damping
- Mechanical Overload Stops
- Designed for Screw Mounting

APPLICATIONS

- Crash Testing
- Impact Testing
- Off Road Testing
- Road Testing



PERFORMANCE SPECIFICATIONS

All values are typical at +24°C, 80Hz and 10Vdc excitation unless otherwise stated. Measurement Specialties reserves the right to update and change these specifications without notice.

Parameters

DYNAMIC

	±50	±200	±500	±2000	Notes
Range (g)	±50	±200	±500	±2000	
Sensitivity (mV/g) ¹	2.0	0.9	0.4	0.15	@10Vdc Excitation
Frequency Response (Hz), Z-Axis	0-1000	0-2000	0-3000	0-4500	±1dB ²
Frequency Response (Hz), X&Y Axis	0-500	0-1000	0-1500	0-2500	±1dB ²
Phase Response	0-300	0-500	0-1000	0-2000	±5°
Resonant Frequency (Hz)	4000	8000	16,000	26,000	
Non-Linearity (%FSO)	±1.0	±1.0	±1.0	±1.0	% of Reading
Transverse Sensitivity (%)	<3	<3	<3	<3	
Damping Ratio	0.6	0.5	0.3	0.1	
Shock Limit (g)	5000	5000	5000	5000	

ELECTRICAL

Zero Acceleration Output (mV)	±50				Differential
Excitation Voltage (Vdc)	2 to 10				
Input Resistance (Ω)	2400-5000				
Output Resistance (Ω)	2400-5000				
Insulation Resistance (MΩ)	>100				@100Vdc
Residual Noise (µV RMS)	10				Maximum
Ground Isolation	Isolated from Mounting Surface				

ENVIRONMENTAL

Thermal Zero Shift (%FSO/°C)	±0.05
Thermal Sensitivity Shift (%/°C)	-0.20 ±0.05
Operating Temperature (°C)	-20 to +85
Storage Temperature (°C)	-20 to +85
Humidity	Epoxy Sealed, IP65

PHYSICAL

Case Material	Anodized Aluminum
Cable	12x #30 AWG PFA Insulated Leads, Braided Shield, Polyurethane Jacket
Weight (grams)	3.5
Mounting	2x #4-40 Socket Head Cap Screws
Mounting Torque	8 lb-in (0.9 N-m)

¹ Output is ratiometric to excitation voltage

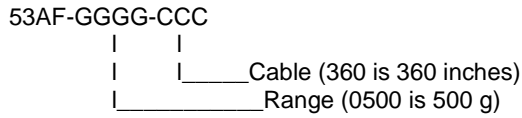
Calibration supplied: CS-FREQ-0100 NIST Traceable Amplitude Calibration from 20Hz to ±1dB Frequency Response Limit²

Optional accessories: 121 Three Channel DC Signal Conditioner Amplifier
140A Auto-zero Inline Amplifier

The information in this sheet has been carefully reviewed and is believed to be accurate; however, no responsibility is assumed for inaccuracies. Furthermore, this information does not convey to the purchaser of such devices any license under the patent rights to the manufacturer. Measurement Specialties, Inc. reserves the right to make changes without further notice to any product herein. Measurement Specialties, Inc. makes no warranty, representation or guarantee regarding the suitability of its product for any particular purpose, nor does Measurement Specialties, Inc. assume any liability arising out of the application or use of any product or circuit and specifically disclaims any and all liability, including without limitation consequential or incidental damages. Typical parameters can and do vary in different applications. All operating parameters must be validated for each customer application by customer's technical experts. Measurement Specialties, Inc. does not convey any license under its patent rights nor the rights of others.

ORDERING INFORMATION

PART NUMBERING Model Number+Range+Cable Length



Example: 53AF-0500-360
Model 53AF, 500g, 360" (30 ft.) cable, No Options

NORTH AMERICA

Measurement Specialties, Inc.,
a TE Connectivity Company
Tel: 800-522-6752
Email: customercare.hmpt@te.com

EUROPE

MEAS France SAS
a TE Connectivity Company
Tel: 800-440-5100
Email: customercare.lcsb@te.com

ASIA

Measurement Specialties (China), Ltd.,
a TE Connectivity Company
Tel: 0400-820-6015
Email: customercare.shzn@te.com

TE.com/sensorsolutions

Measurement Specialties, Inc., a TE Connectivity company.

Measurement Specialties, TE Connectivity, TE Connectivity (logo) and EVERY CONNECTION COUNTS are trademarks. All other logos, products and/or company names referred to herein might be trademarks of their respective owners.

The information given herein, including drawings, illustrations and schematics which are intended for illustration purposes only, is believed to be reliable. However, TE Connectivity makes no warranties as to its accuracy or completeness and disclaims any liability in connection with its use. TE Connectivity's obligations shall only be as set forth in TE Connectivity's Standard Terms and Conditions of Sale for this product and in no case will TE Connectivity be liable for any incidental, indirect or consequential damages arising out of the sale, resale, use or misuse of the product. Users of TE Connectivity products should make their own evaluation to determine the suitability of each such product for the specific application.

© 2015 TE Connectivity Ltd. family of companies All Rights Reserved.