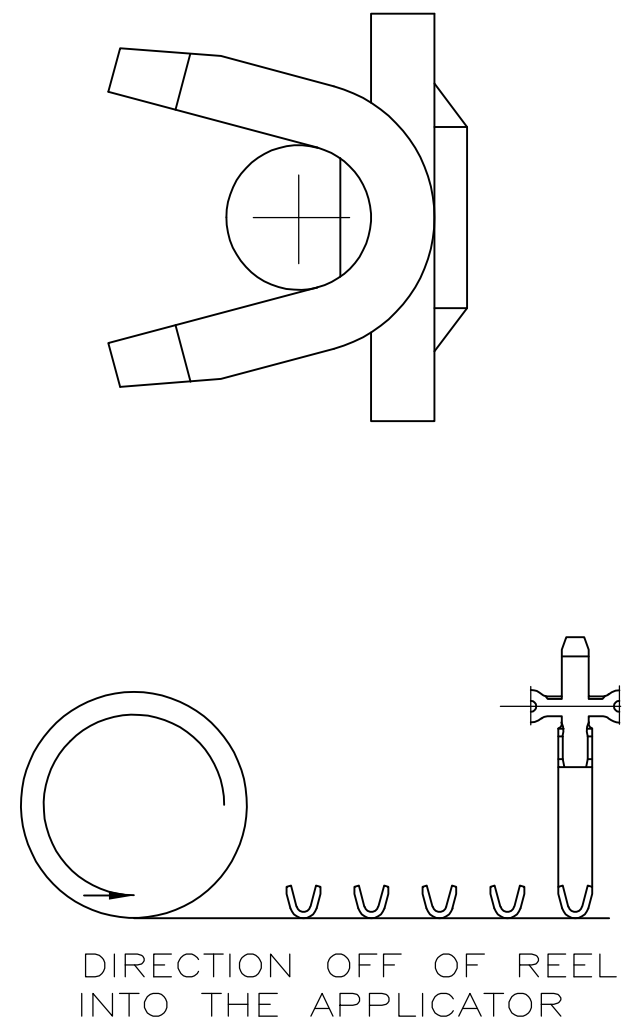
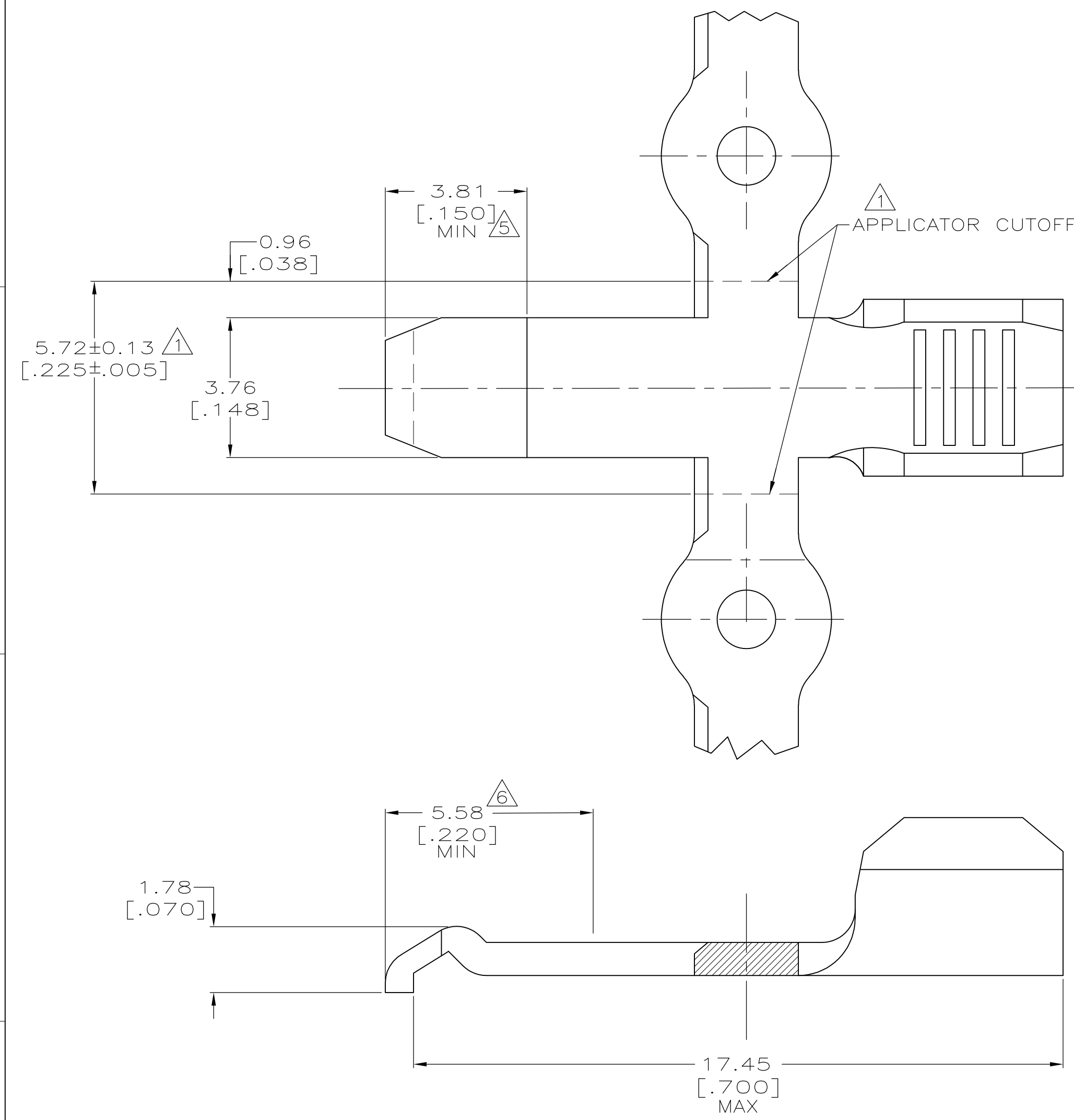


LOC	DIST	REVISIONS					
FT	60	P	LTR	DESCRIPTION	DATE	OWN	APVD
			M2	REVISED PER ECO-13-005883	23JUL2013	KH	MM



SCALE: NONE

- 1 REFER TO AMP INSTRUCTION SHEET IS 2928 FOR APPLICATOR AND CUTOFF DETAILS.
- 2 MATERIAL: COPPER
- 3 FINISH: 0.05 [.000200] MINIMUM THICK SILVER PLATING.
- 4 FINISH: 0.00076 [.000030] MINIMUM THICK GOLD PLATING OVER 0.00127 [.000050] MINIMUM THICK NICKEL PLATING.
- 5 FINISH: 0.00076 [.000030] MINIMUM THICK GOLD PLATING OVER TOP SURFACE INDICATED AND GOLD FLASH OVER REMAINING SURFACES OVER 0.00127 [.000050] MINIMUM NICKEL PLATING.
- 6 TOP SURFACE IS GRAPHITE COATED IN AREA INDICATED.

SUPERSEDED BY	SYMBOLS	DESCRIPTION	PART NO
-2	3, 6	STRIP	1-53892-1
	5	STRIP	53892-8
OBSOLETE	4	LOOSE PIECE	53892-7
	3	LOOSE PIECE	53892-4
	3	STRIP	53892-2

THIS DRAWING IS A CONTROLLED DOCUMENT.		DWN K TILLMAN/UTA 3-21-94	STE TE Connectivity	
DIMENSIONS: MM [INCHES]		CHK D. HUSSEY 3-23-94		
TOLERANCES UNLESS OTHERWISE SPECIFIED:		APVD D. KEMPKA 3-23-94	NAME CONTACT, CRIMP BARREL, SERIES 1, POWER LOCK	
0 PLC ± -		PRODUCT SPEC 108-11026	SIZE A2	
1 PLC ± -		APPLICATION SPEC 114-6032	CAGE CODE 00779	DRAWING NO G-53892
2 PLC ± 0.20 [.008]		WEIGHT -	RESTRICTED TO -	
3 PLC ± -		CUSTOMER DRAWING	SCALE 10:1	SHEET 1 OF 1
4 PLC ± -			REV M2	
ANGLES ± ± 5°				
FINISH SEE TABLE				