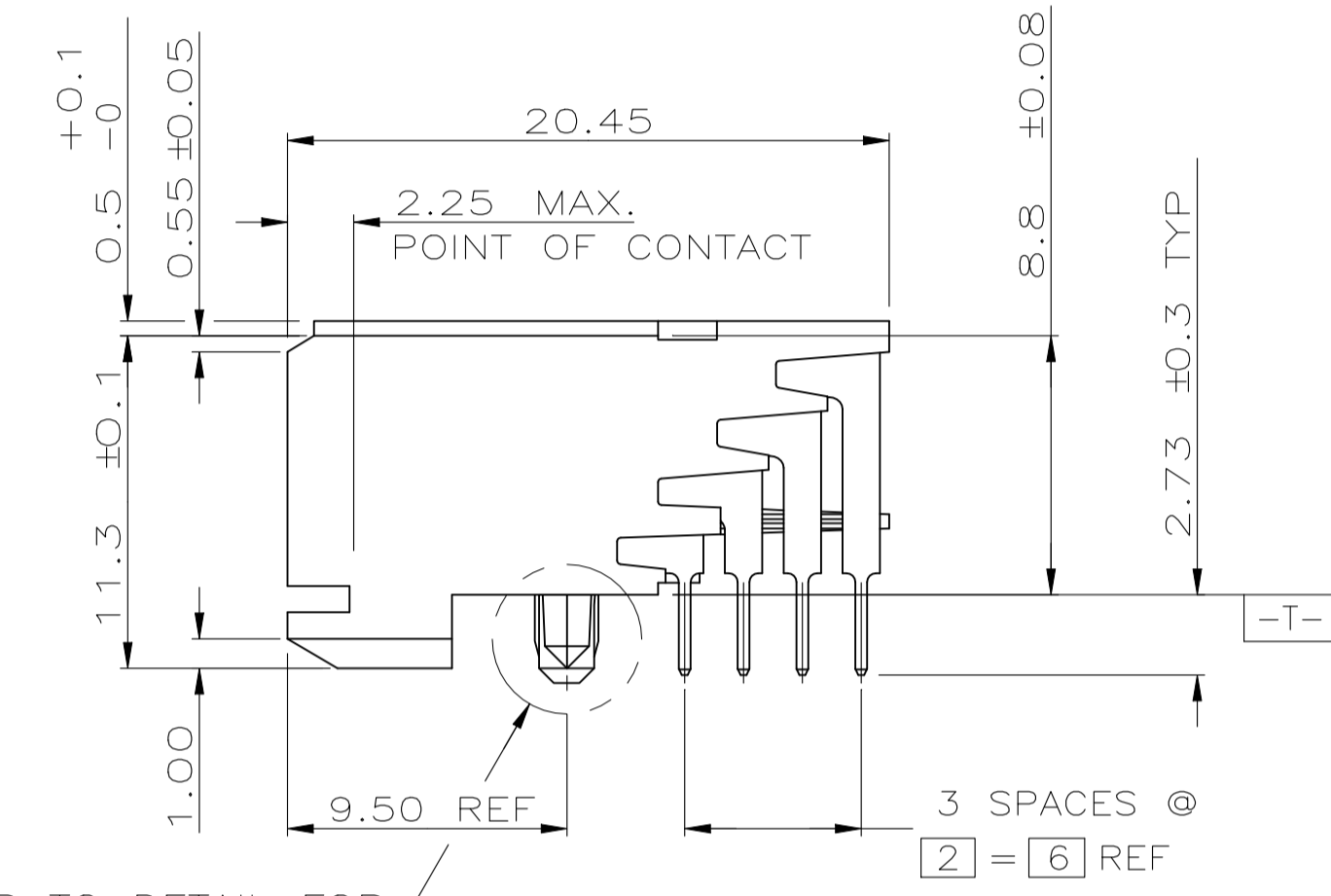
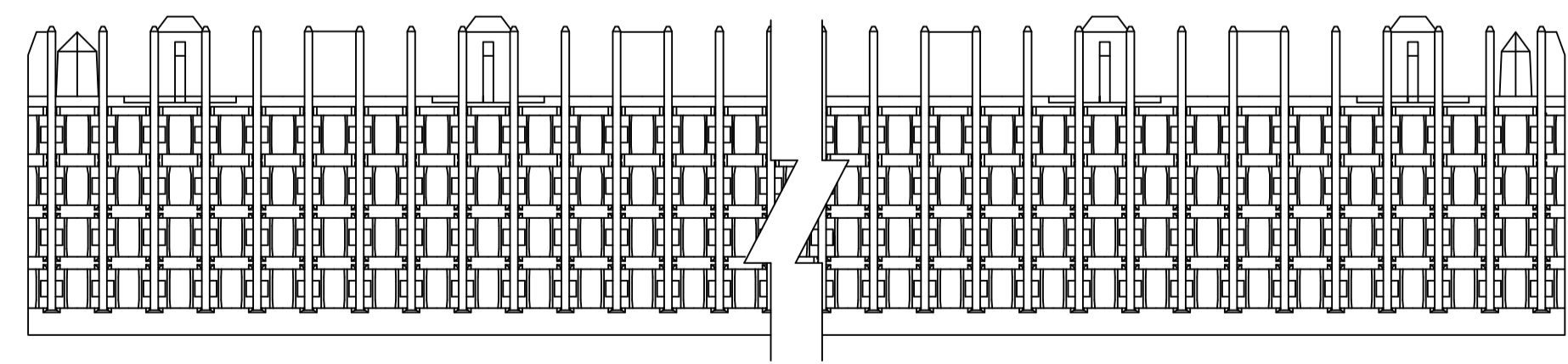
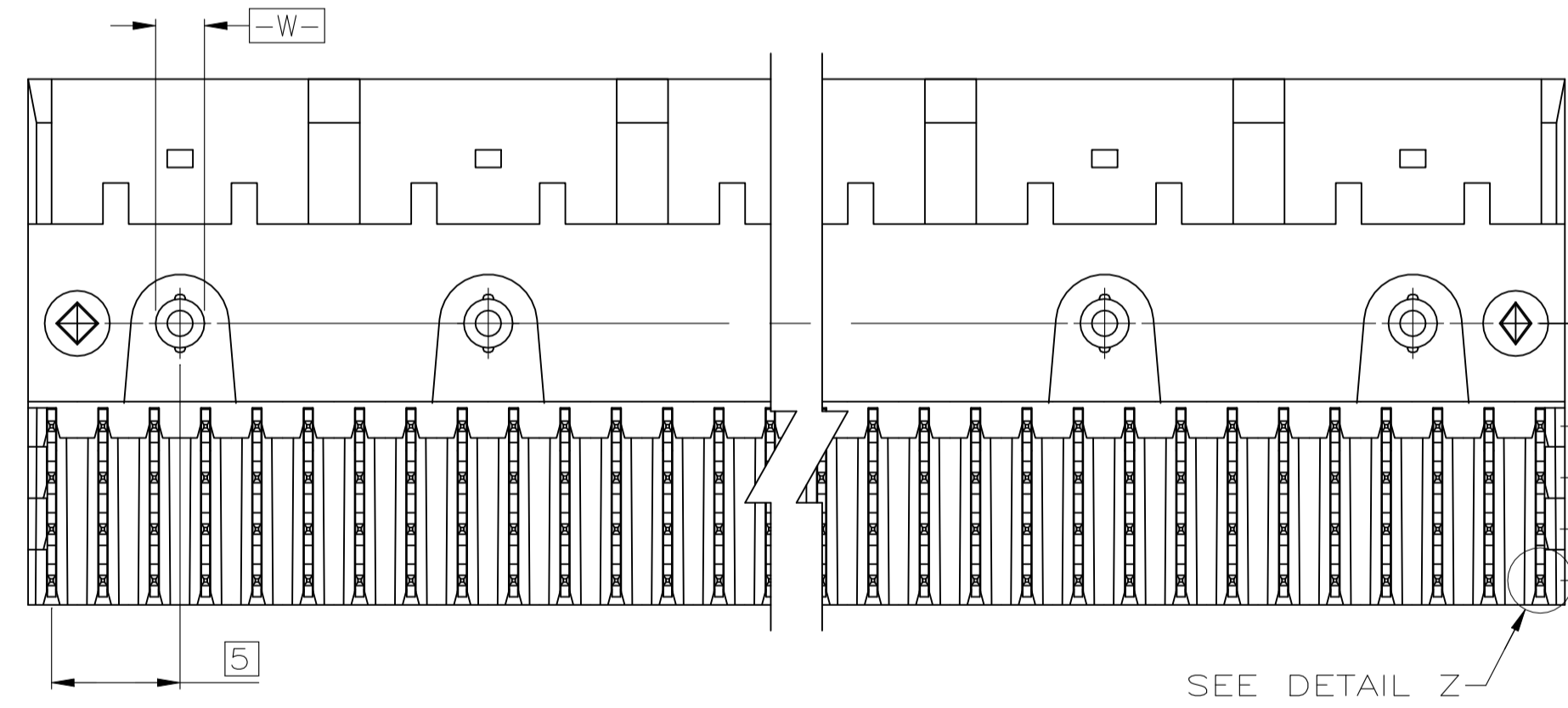
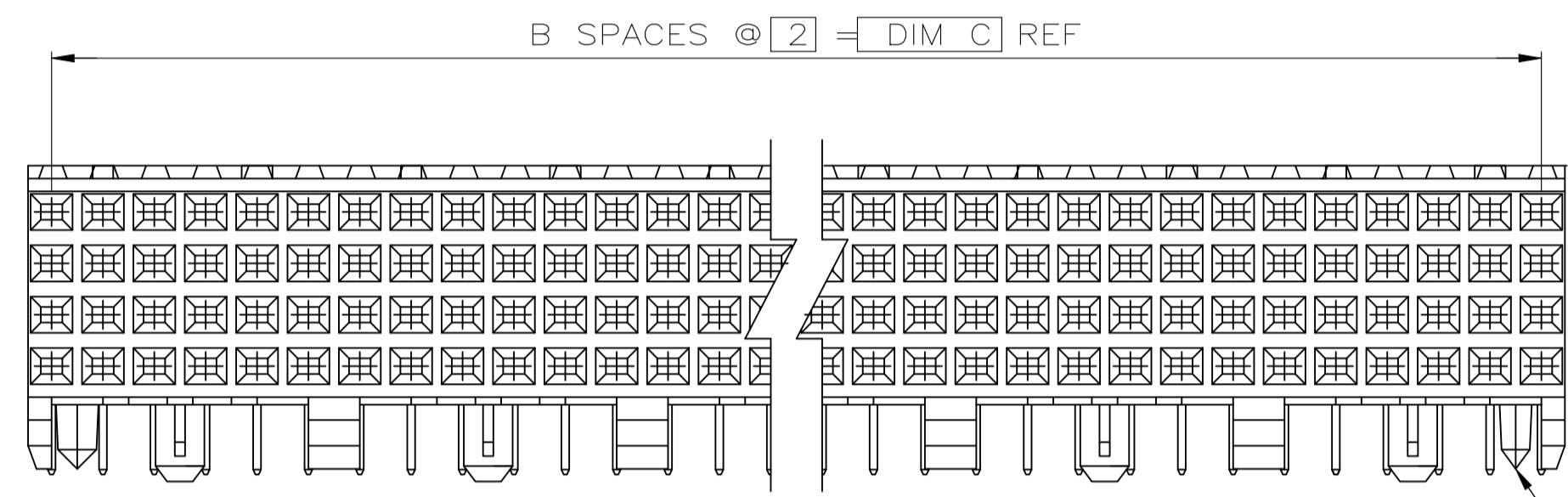
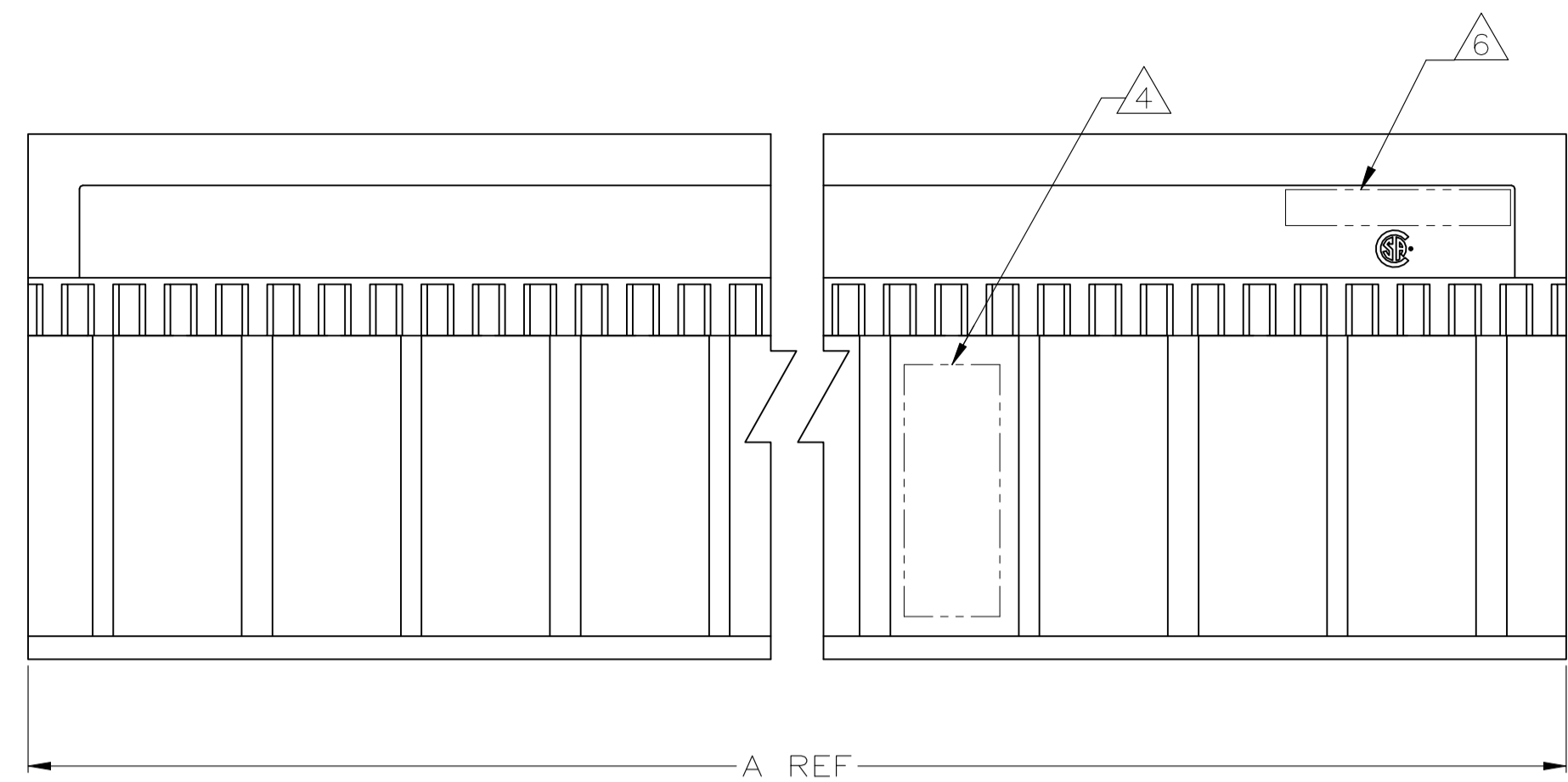
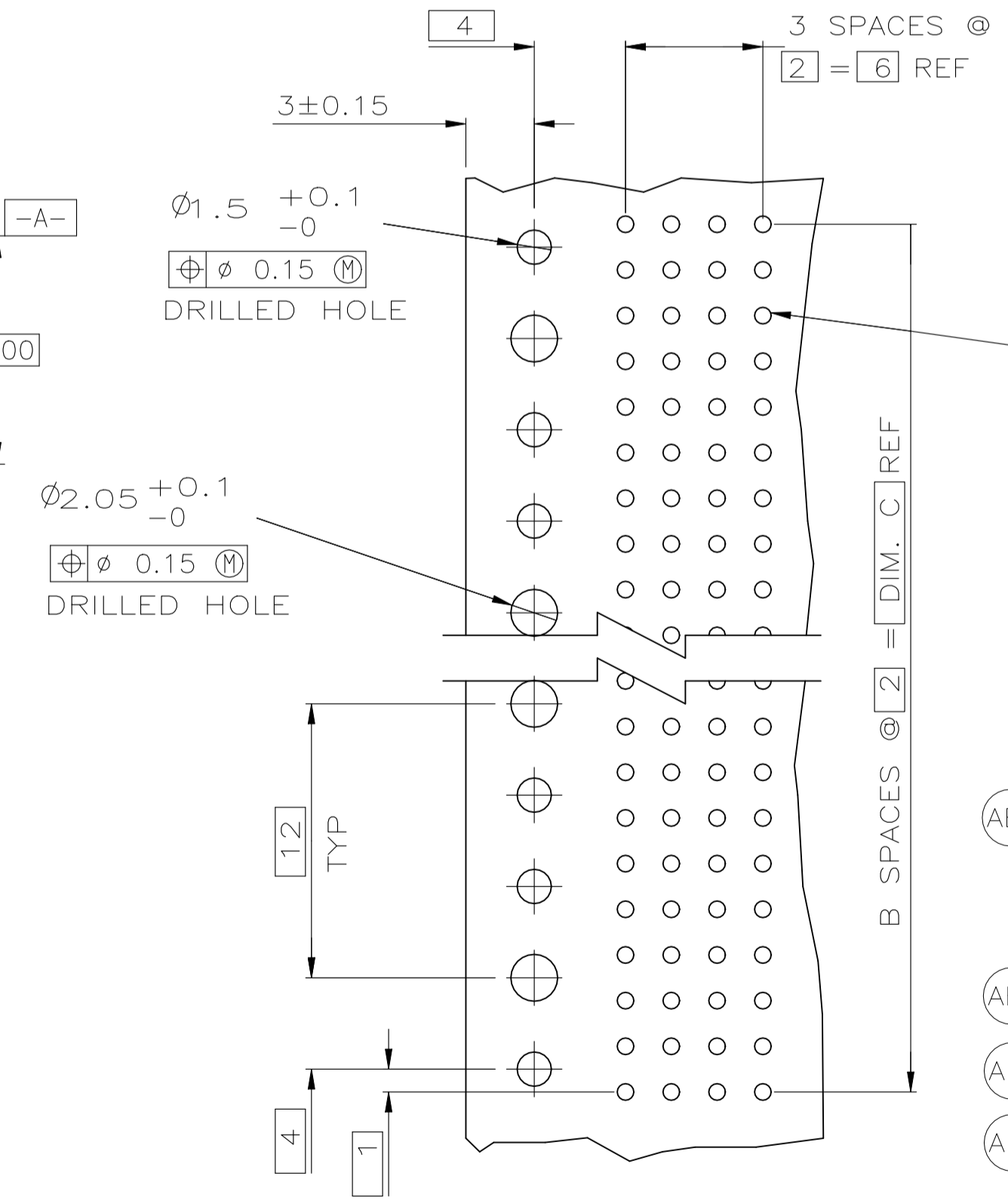


REVISIONS					
REV	DATE	BY	CHK	APPV	DESCRIPTION
AB1	31JAN2022	NV	HL		REVISED PER ECN-22-135240

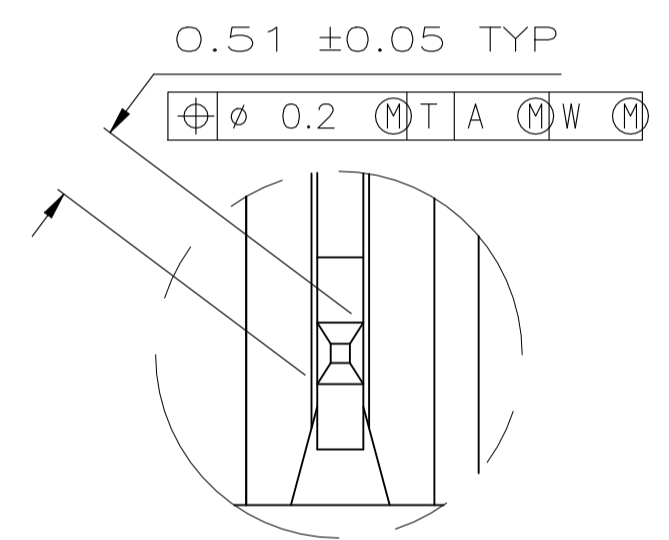


SEE TABLE
REFER TO DETAIL FOR COLD HOLD CONFIGURATION

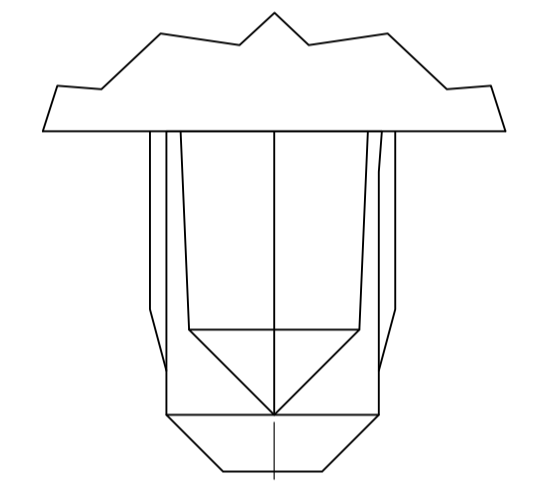


RECOMMENDED CIRCUIT PATTERN PER IPC-D300 TYPE II, CLASS C (COMPONENT SIDE)

- 1 HOUSING MATERIAL: LIQUID CRYSTAL POLYMER
COLOR: NATURAL.
- 2 CONTACT MATERIAL: PHOSPHOR-BRONZE.
- 3 CONTACT FINISH:
UNDERPLATE (ENTIRE CONTACT) -
0.00127 MIN. NICKEL
ON MATING SURFACES-
CONFORMS TO ALL TESTING SPECIFIED FOR TELCORDIA
UNCONTROLLED ENVIRONMENT
ON LEADS-
0.00381 MIN. TIN-LEAD, OVER UNDERPLATE
LUBRICATION (ENTIRE CONTACT)
SURFACE CONDITIONER PER AMP SPEC. 112-1002 AFTER PLATING.
- 4 PART MARKING PER AMP INCORPORATED SPECIFICATION 115-9009, LOCATED APPROXIMATELY AS SHOWN.
- 5 OBSOLETE PARTS: OBSOLETE CIS STREAMLINING PER D.RENAUD/D.SINISI
- 6 TE OR TE CONNECTIVITY LOGO IS LOCATED.



DETAIL Z SCALE 20:1



TYPICAL COLD HOLD FOR ALL ASSEMBLIES

(AB1)	OBSOLETE	NO	34	17	35.88	3	72	1-536507-1
	OBSOLETE	NO	130	65	131.88	3	264	1-536507-0
	OBSOLETE	NO	106	53	107.88	3	216	536507-9
	OBSOLETE	NO	118	59	119.88	3	240	536507-8
	OBSOLETE	NO	70	35	71.88	3	144	536507-7
(AB1)	OBSOLETE	NO	58	29	59.88	3	120	536507-6
	OBSOLETE	NO	82	41	83.88	3	168	536507-5
(AB1)	OBSOLETE	NO	94	47	95.88	3	192	536507-4
	OBSOLETE	NO	46	23	47.88	3	96	536507-3
(AB1)	OBSOLETE	NO	22	11	23.88	3	48	536507-2
	YES	NO	10	5	11.88	3	24	536507-1

POSITIONING PEGS	C	B	A	FINISH	NO OF POSN	PART NUMBER

THIS DRAWING IS A CONTROLLED DOCUMENT. DIN D.R.BENDER / 08/06/92
 DIMENSIONS: mm TOLERANCES UNLESS OTHERWISE SPECIFIED:
 0. PLC ± -
 1. PLC ± -
 2. PLC ± -13
 3. PLC ± -
 4. PLC ANGLES ± -

APPROVED: D. PEOPLES 01/26/93 NAME: RECEPTACLE ASSEMBLY, SIGNAL MODULE, Z-PACK 2mm FB, 4 ROW, 2.73mm LEAD LENGTH

MATERIAL: FINISH: WEIGHT: 0.000000 A1 00779 C=536507

CUSTOMER DRAWING SCALE: 4:1 SHEET: 1 of 1 REV: AB1