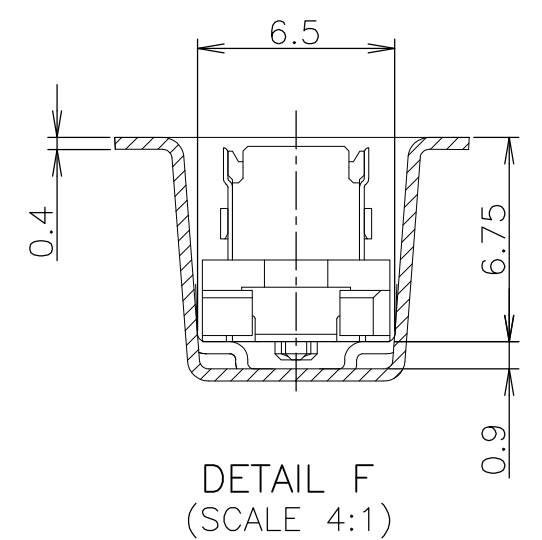
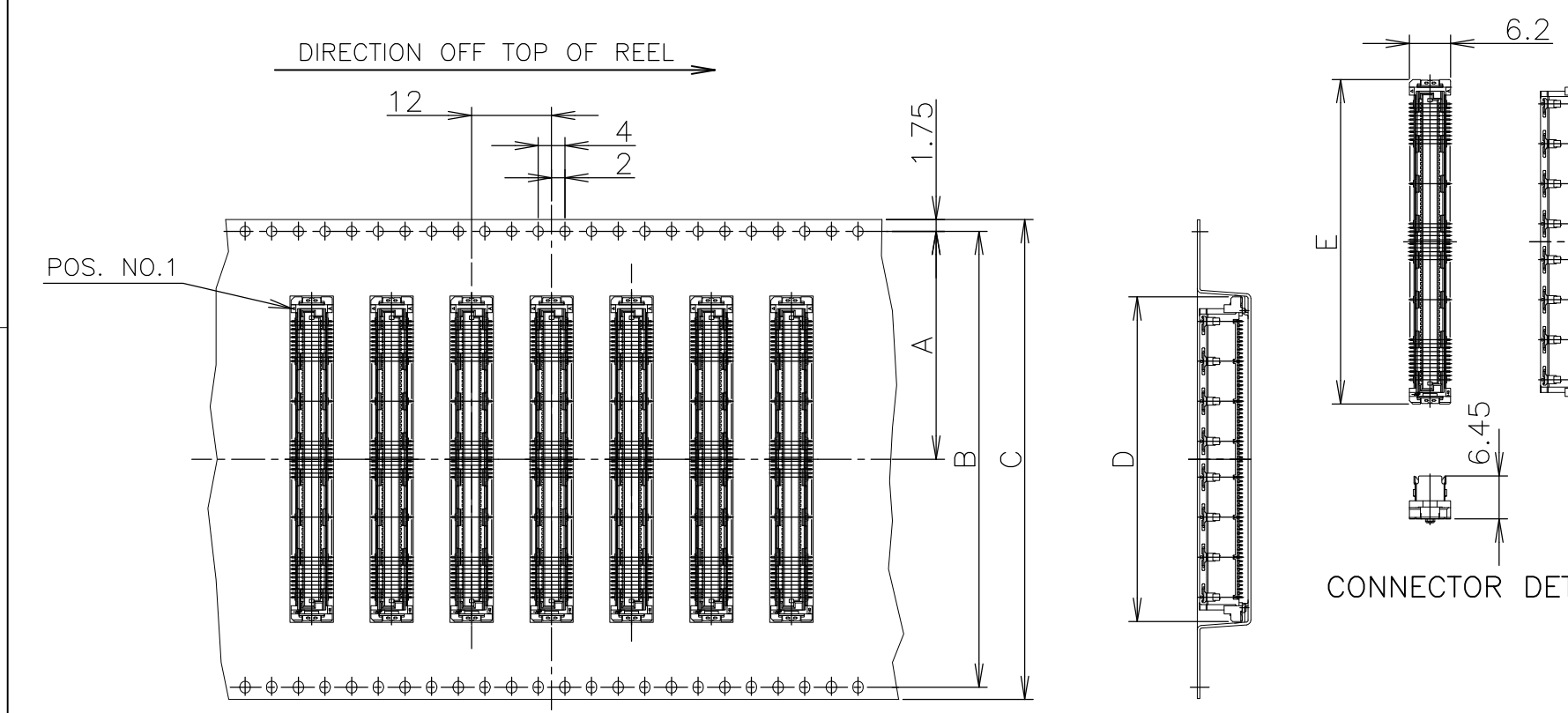
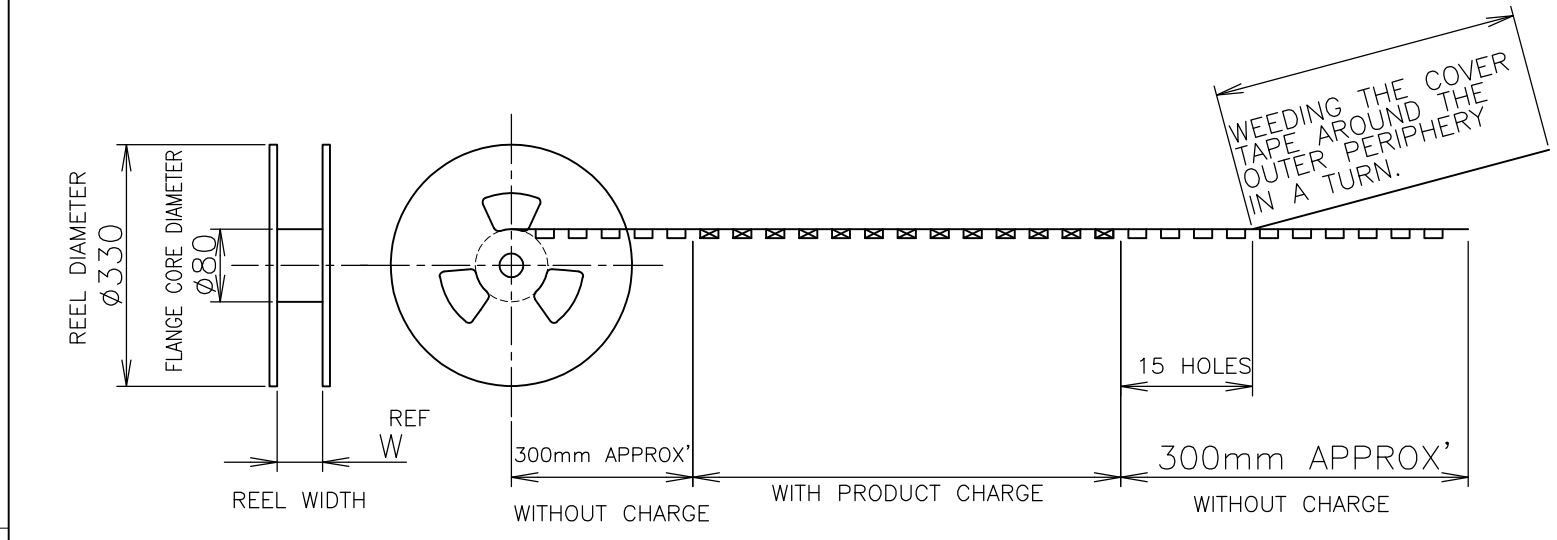
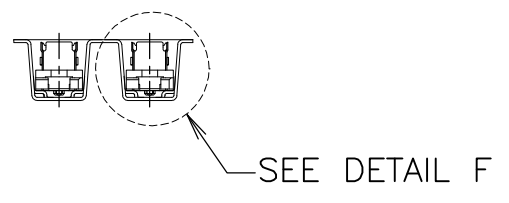


THIS DRAWING IS UNPUBLISHED. RELEASED FOR PUBLICATION FEB ,1997.
 © COPYRIGHT 1997 By - ALL RIGHTS RESERVED.

LOC	DIST	REVISIONS					
J		P	LTR	DESCRIPTION	DATE	DWN	APVD
		C		REVISED ECR-12-004537	21MAR2012	I.T	S.Y



CONNECTOR DETAIL



SEALANT	TOOLING STATUS	QTY.	W	E	D	C	B	A	POS.	PART NO.
NOT AVAILABLE		700	77.5	54.7	55	72	68.4	34.2	160	6-5353831-1
			77.5	48.7	49	72	68.4	34.2	140	6- -0
			61.5	42.7	43	56	52.4	26.2	120	5- -9
			61.5	36.7	37	56	52.4	26.2	100	5- -8
			61.5	33.7	34	56	52.4	26.2	90	5- -7
			49.5	27.7	28	44	40.4	20.2	70	5- -5
			49.5	24.7	25	44	40.4	20.2	60	5- -4
			37.5	21.7	22	32	28.4	14.2	50	5- -3
			37.5	18.7	19	32	28.4	14.2	40	5- -2
NOT AVAILABLE		700	29.5	15.7	16	24	11.5		30	5-5353831-1
NON SEALANT			77.5	54.7	55	72	68.4	34.2	160	1-5353831-1
			77.5	48.7	49	72	68.4	34.2	140	1- -0
			61.5	42.7	43	56	52.4	26.2	120	-9
	AVAILABLE		61.5	36.7	37	56	52.4	26.2	100	-8
	NOT AVAILABLE		61.5	33.7	34	56	52.4	26.2	90	-7
	NOT AVAILABLE		49.5	27.7	28	44	40.4	20.2	70	-5
			49.5	24.7	25	44	40.4	20.2	60	-4
			37.5	21.7	22	32	28.4	14.2	50	-3
			37.5	18.7	19	32	28.4	14.2	40	-2
NOT AVAILABLE		700	29.5	15.7	16	24	11.5		30	5353831-1

5 THIS PRODUCT WAS COATED BY FLUX-PENETRATION INHIBITING AGENT.

GENERAL TOLERANCE
一般公差

10 ≥	±0.2
30 ≥	>10: ±0.25
100 ≥	>30: ±0.3
ANGLES: ±3°	

THIS DRAWING IS A CONTROLLED DOCUMENT.

DIMENSIONS: 单位: 耗 mm

TOLERANCES UNLESS OTHERWISE SPECIFIED: 一般公差

0 PLC	± -
1 PLC	± -
2 PLC	± -
3 PLC	± -
4 PLC	± -
ANGLES	± -

FINISH 仕上

MATERIAL 材料

DWN HAWKING HE 08DEC04

CHK STEVEN YAO 08DEC04

APVD I.ENOMOTO 08DEC04

NAME 名称

PRODUCT SPEC 製品規格

108-60047

APPLICATION SPEC 取付適用規格

114-5255

WEIGHT

CUSTOMER DRAWING

SCALE 尺度 1:1

SHEET 1 OF 3

REV C

RESTRICTED TO

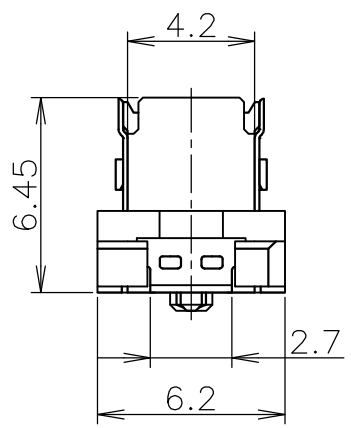
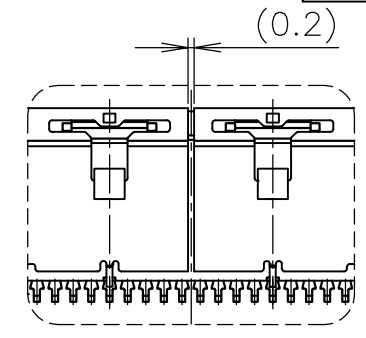
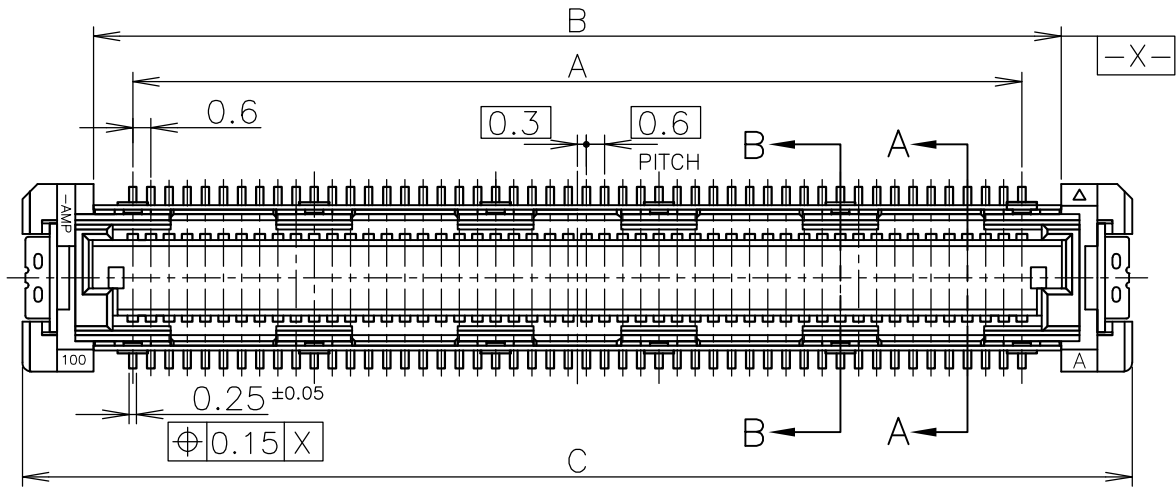


EMBOSS ASSY
FH 0.6BTB CONNECTOR
PLUG 7H WITH G-PLATE

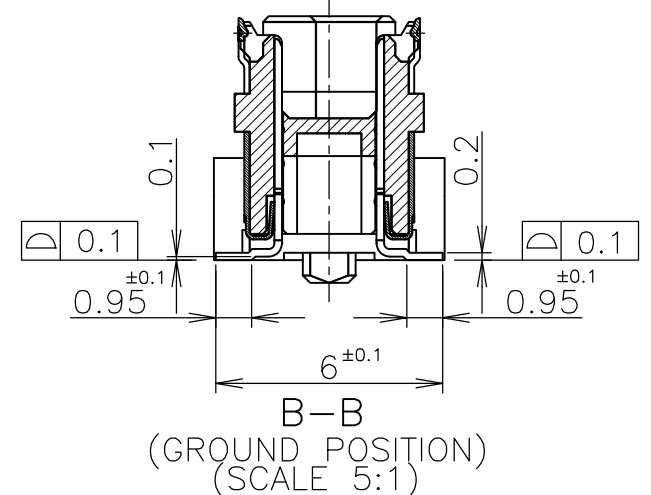
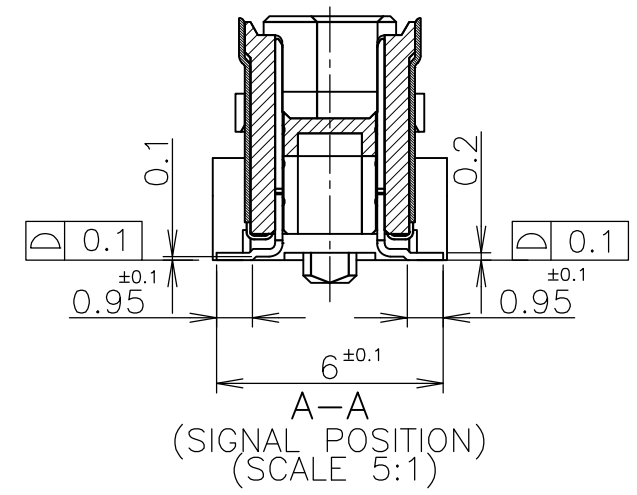
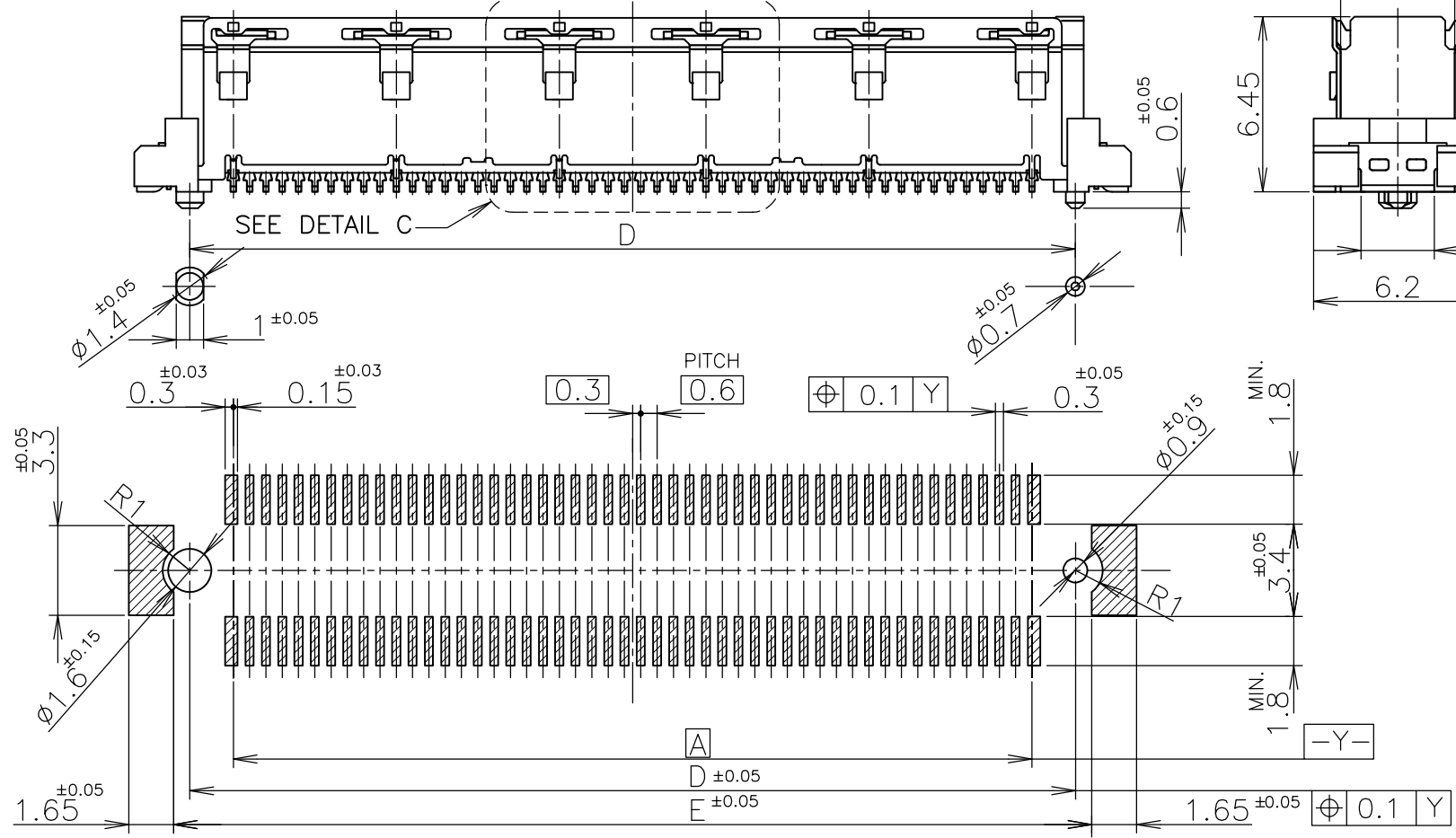
SIZE	CAGE CODE	DRAWING NO 番号	RESTRICTED TO
A3	00779	G-5353831	

THIS DRAWING IS UNPUBLISHED. RELEASED FOR PUBLICATION FEB, 1997.
 © COPYRIGHT 1997 By - ALL RIGHTS RESERVED.

LOC	DIST	REVISIONS		
J		变更	DATE	DWN
P	LTR	DESCRIPTION		APVD
		SEE SHEET 1	-	-



- ① MATERIAL ; HOUSING : HIGH TEMP THERMO PLASTIC UL94V-0
CONTACT : COPPER ALLOY
- ② FINISH ; UNDER PL Ni 0.0013mm MIN ALL OVER.
CONTACT AREA 0.0002 MIN Au PL.
SOLDERING AREA 0.001 MIN TIN PL.
- ③ THIS POSITION IS GROUND CIRCUIT.
- ④ THIS POSITION ITEM IS SECIAL.(FOR CUSTUM MADE)



REFERENCE P.C.BOARD LAYOUT

NOT AVAILABLE	75.8	74.6	78.7	74	71.4	240
NOT AVAILABLE	51.8	50.6	54.7	50	47.4	160
NOT AVAILABLE	45.8	44.6	48.7	44	41.4	140
NOT AVAILABLE	39.8	38.6	42.7	38	35.4	120
AVAILABLE	33.8	32.6	36.7	32	29.4	100
NOT AVAILABLE	30.8	29.6	33.7	29	26.4	90
NOT AVAILABLE	24.8	23.6	27.7	23	20.4	70
	21.8	20.6	24.7	20	17.4	60
	19.8	17.6	21.7	17	14.4	50
	15.8	14.6	18.7	14	11.4	40
NOT AVAILABLE	12.8	11.6	15.7	11	8.4	30
TOOLING STATUS	E	D	C	B	A	POS

GENERAL TOLERANCE
 一般公差
 10 ≥ ±0.2
 30 ≥ >10: ±0.25
 100 ≥ >30: ±0.3
 ANGLES: ±3°

THIS DRAWING IS A CONTROLLED DOCUMENT.

DIMENSIONS: 单位: 耗 mm	TOLERANCES UNLESS OTHERWISE SPECIFIED: 一般公差	DWN	TE Connectivity		
	0 PLC ± -	CHK	NAME		
	1 PLC ± -	APVD	名称		
	2 PLC ± -	PRODUCT SPEC	EMBOSS ASSY		
	3 PLC ± -	製品規格	FH 0.6BTB CONNECTOR		
	4 PLC ± -	APPLICATION SPEC	PLUG 7H WITH G-PLATE		
	ANGLES ± -	取付適用規格	SIZE	CAGE CODE	DRAWING NO
MATERIAL	FINISH	WEIGHT	A3	00779	C-5353831
材料	仕上	CUSTOMER DRAWING	RESTRICTED TO		
		SCALE	4:1	SHEET	2 OF 3
				REV	C

THIS DRAWING IS UNPUBLISHED.

RELEASED FOR PUBLICATION FEB , 1997.

© COPYRIGHT 1997 By -

ALL RIGHTS RESERVED.

LOC J

DIST

P

LTR

SEE SHEET 1

REVISIONS

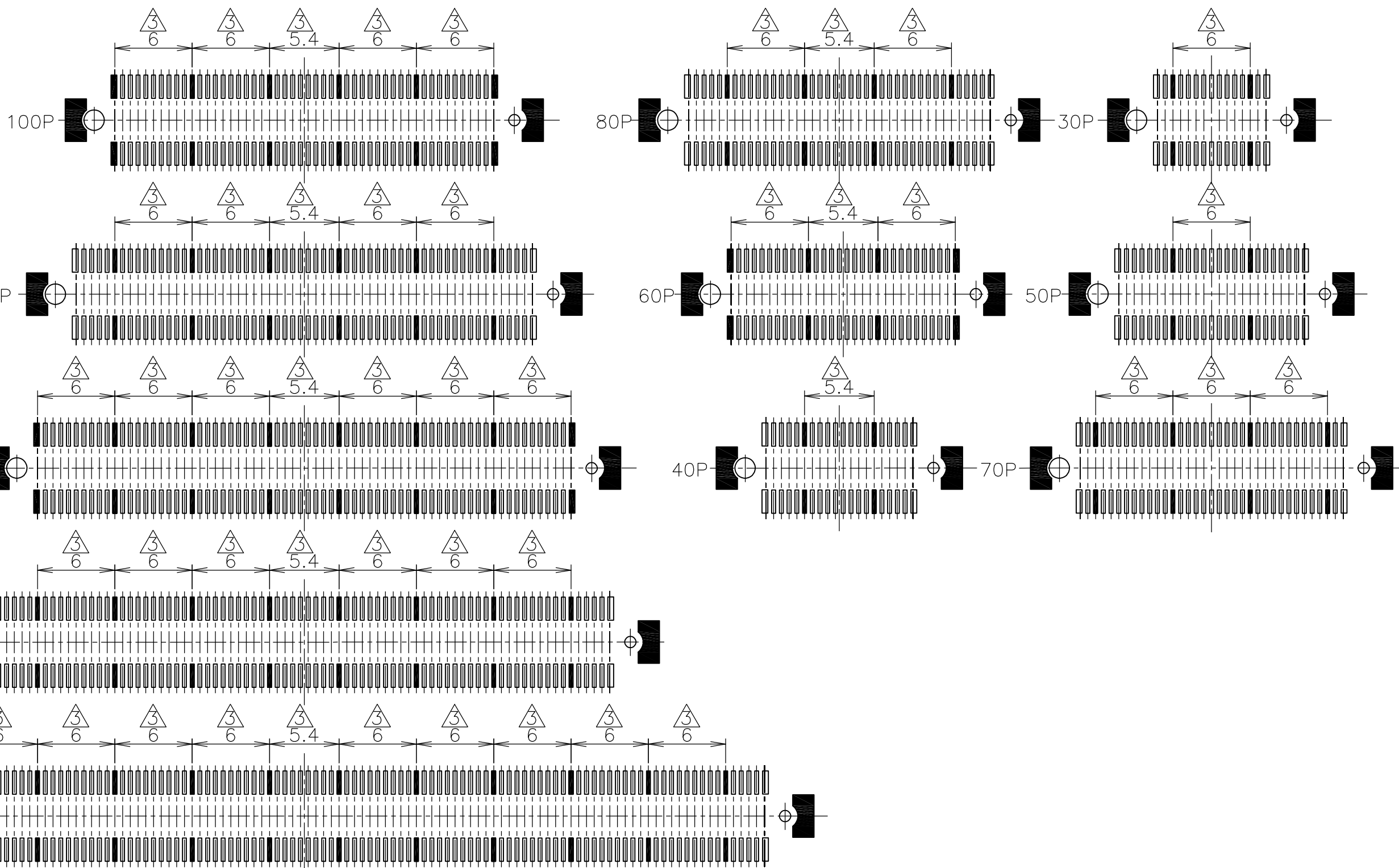
変更

DESCRIPTION

DATE

DWN

APVD



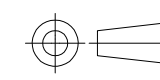
THIS DRAWING IS A CONTROLLED DOCUMENT.

DIMENSIONS:
単位: 耗
mm

TOLERANCES UNLESS
OTHERWISE SPECIFIED:
一般公差

GENERAL TOLERANCE
一般公差

10 ≥ ±0.2
30 ≥ >10: ±0.25
100 ≥ >30: ±0.3
ANGLES: ±3°



MATERIAL
材料



FINISH
仕上



DWN
CHK
APVD
PRODUCT SPEC 製品規格
APPLICATION SPEC 取付適用規格
WEIGHT
CUSTOMER DRAWING



NAME 名称			
EMBOSS ASSY FH 0.6BTB CONNECTOR PLUG 7H WITH G-PLATE			
SIZE	CAGE CODE	DRAWING NO 番号	RESTRICTED TO
A3	00779	G-5353831	
SCALE 尺度 3:1		SHEET 3 OF 3	REV C