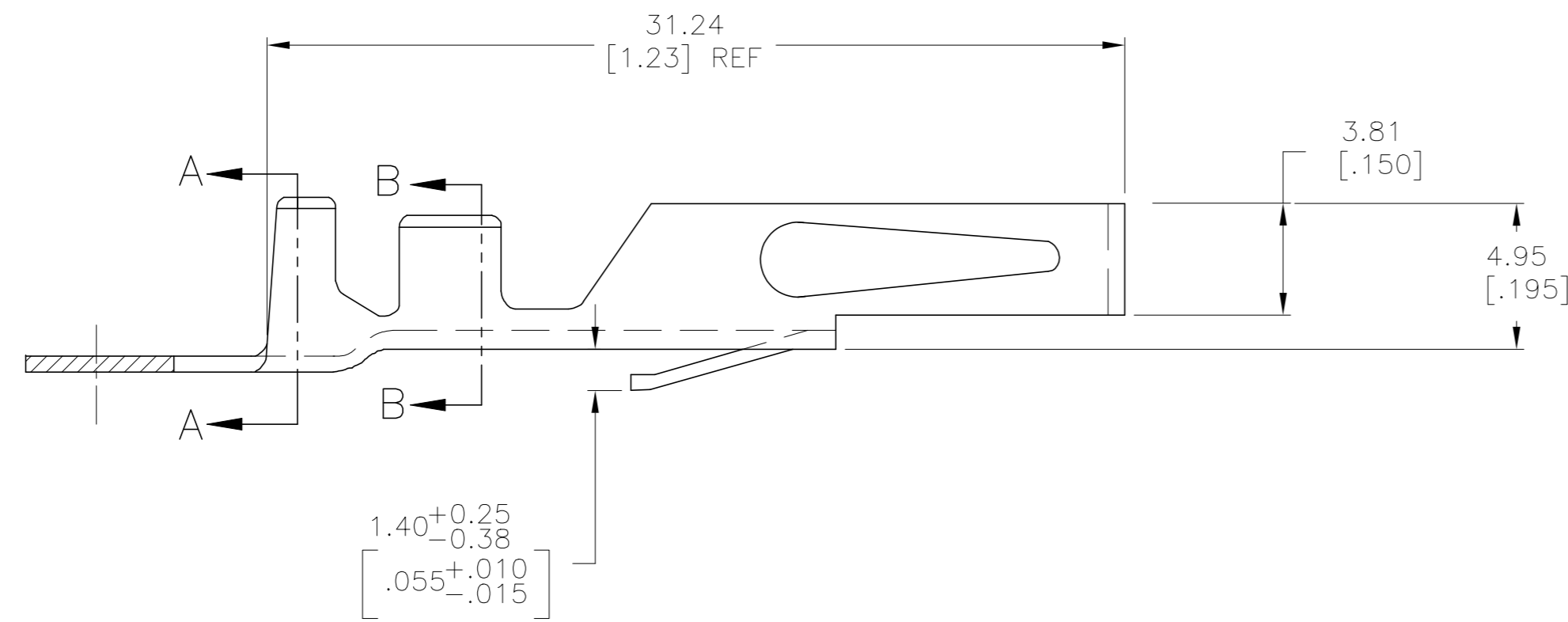
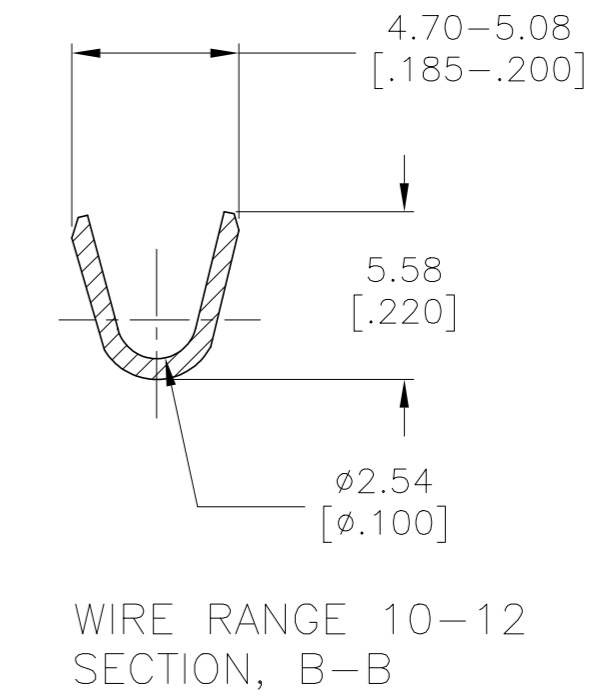
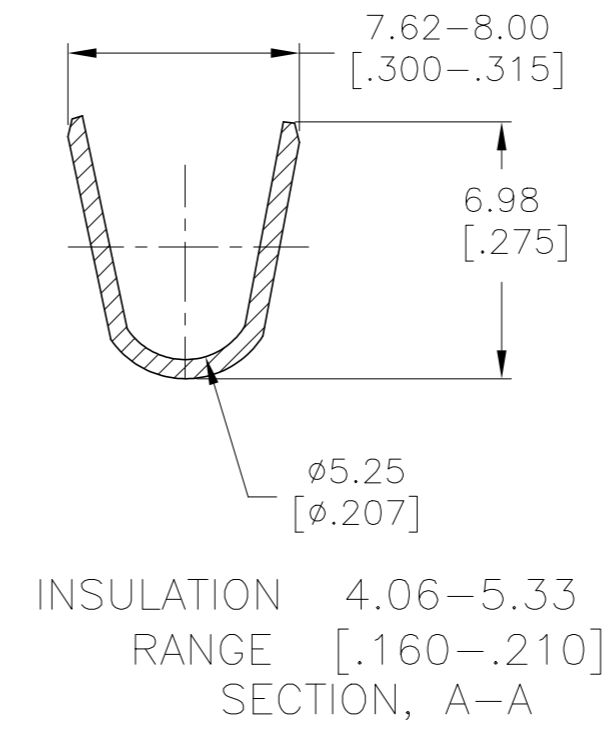
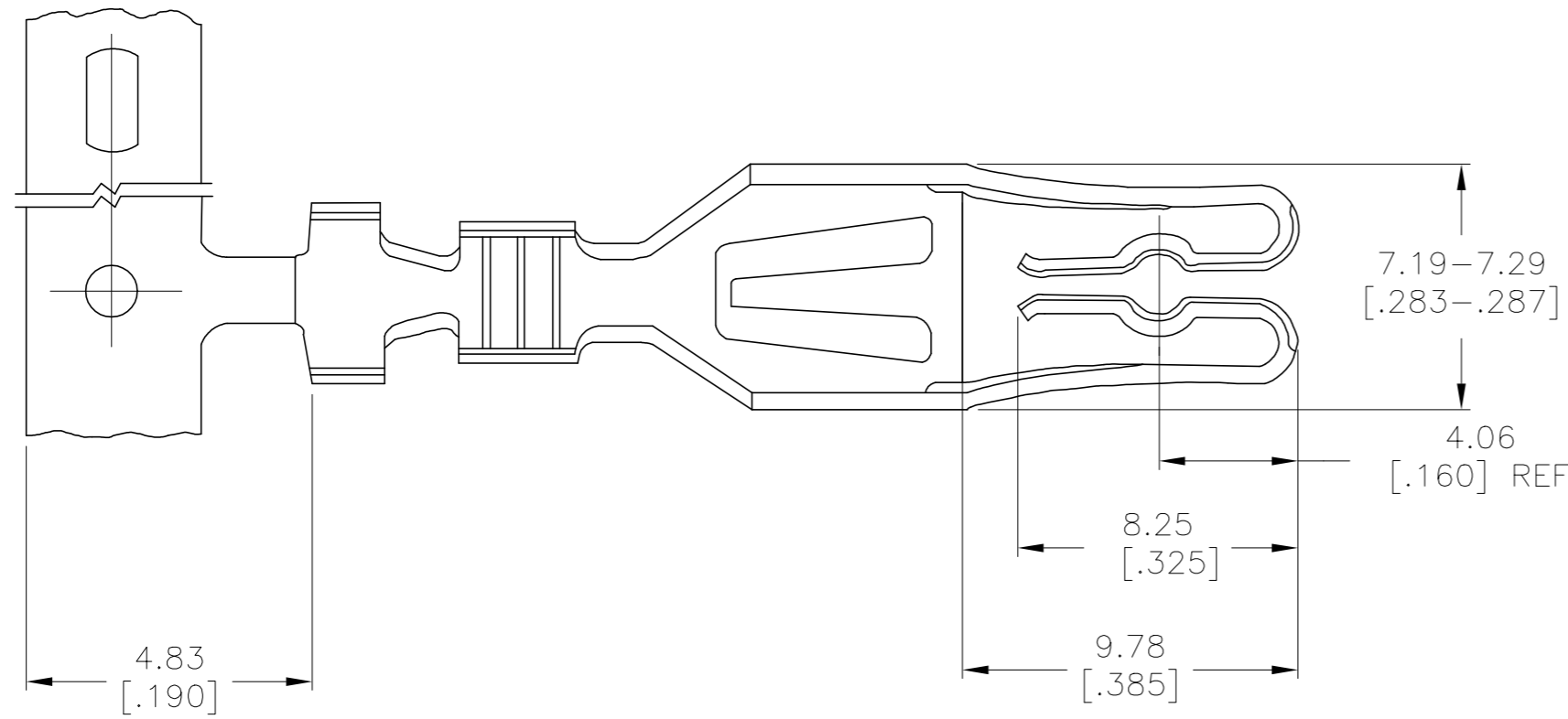


THIS DRAWING IS UNPUBLISHED. RELEASED FOR PUBLICATION
 © COPYRIGHT - By - ALL RIGHTS RESERVED.

| REVISIONS | | | | | |
|-----------|-----|---------------------------|-----------|-----|------|
| P | LTR | DESCRIPTION | DATE | DWN | APVD |
| | J1 | REVISED PER ECO-19-019022 | 19DEC2019 | RS | JO |



- △1 0.0038 (.000150) MIN BRIGHT TIN-LEAD OVER 0.00076 (.000030) MIN NICKEL.
- △2 SILVER PLATE 0.0038[.000150] MIN THK ALL OVER.
- △3 0.0038 (.000150) MIN MATTE TIN OVER 0.00076 (.000030) MIN NICKEL.

| | |
|--------|------------|
| △3 | 5-530519-2 |
| △2 | 530519-3 |
| △1 | 530519-2 |
| FINISH | PART NO |

| | | | | | |
|--|--|------------------|-----------|---|--|
| THIS DRAWING IS A CONTROLLED DOCUMENT. | | DWN | 15 MAY 75 | TE TE Connectivity | |
| | | CHK | 15 MAY 75 | | |
| DIMENSIONS: mm [INCHES] | | APVD | 16 MAY 75 | NAME | |
| TOLERANCES UNLESS OTHERWISE SPECIFIED: | | PRODUCT SPEC | | CONTACT HIGH CURRENT STRIP 10-12 AWG | |
| 0 PLC ± - | | APPLICATION SPEC | | SIZE CAGE CODE DRAWING NO RESTRICTED TO | |
| 1 PLC ± - | | WEIGHT | | A2 00779 C=530519 - | |
| 2 PLC ± - | | CUSTOMER DRAWING | | SCALE 5:1 SHEET 1 of 1 REV J1 | |
| 3 PLC ± .005 | | | | | |
| 4 PLC ± - | | | | | |
| ANGLES ± - | | | | | |
| FINISH | | | | | |
| ALLOY CDA-194 | | | | | |