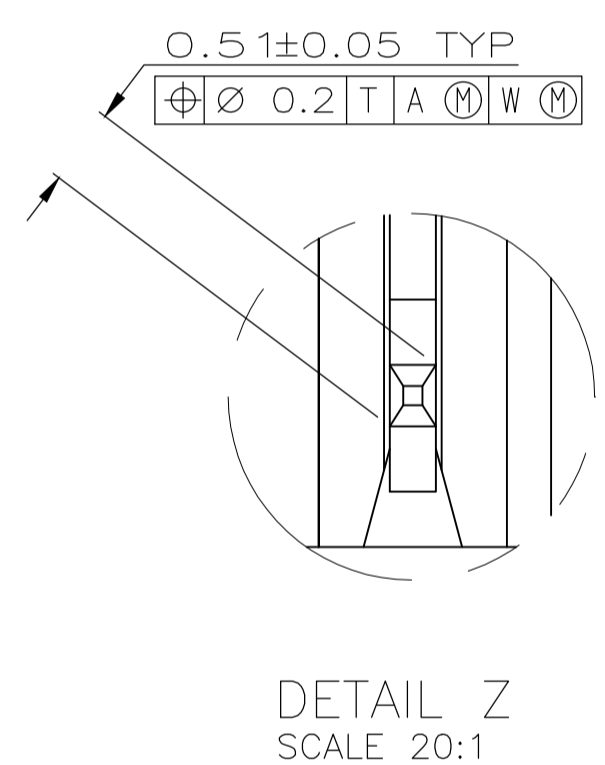
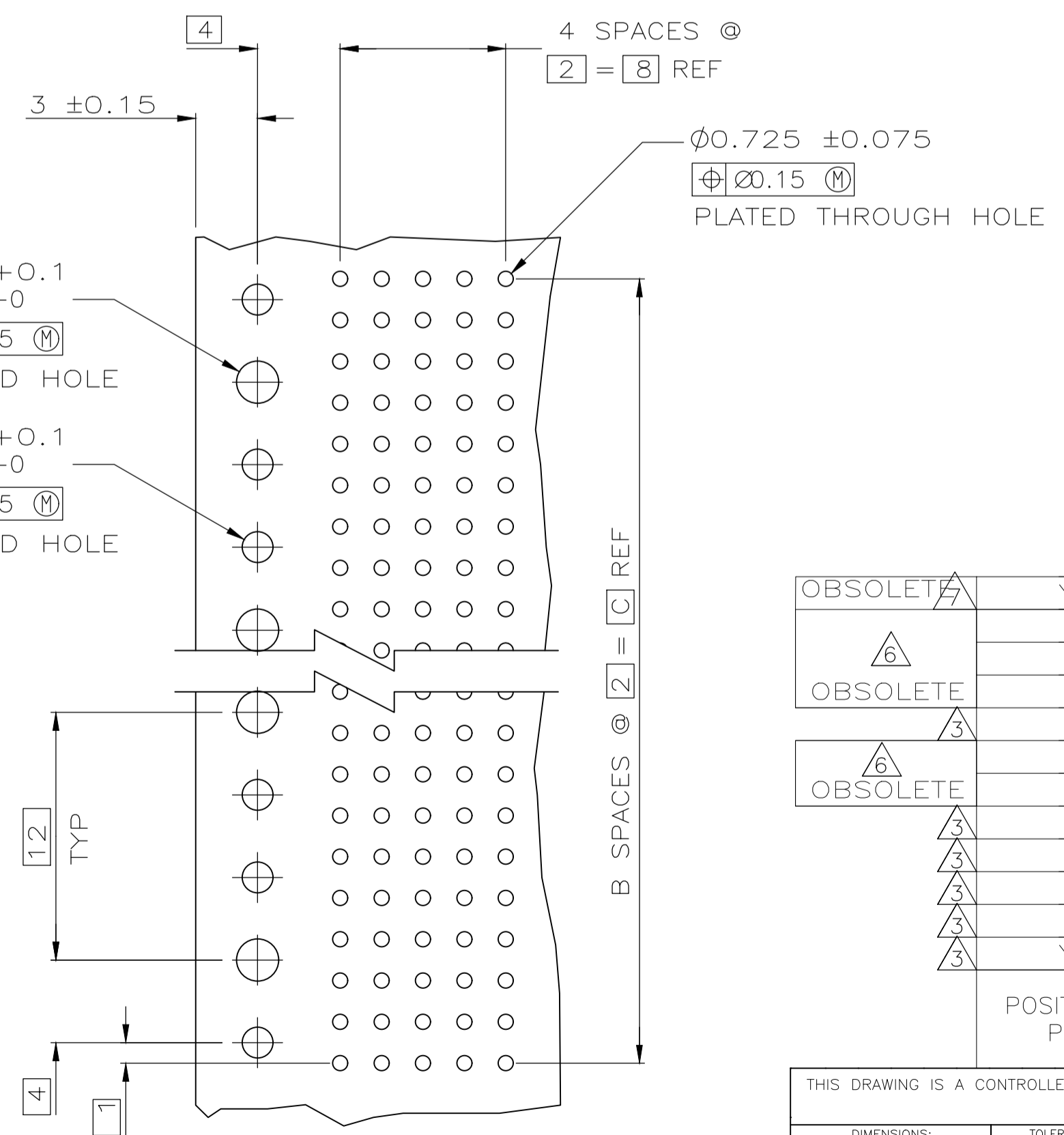
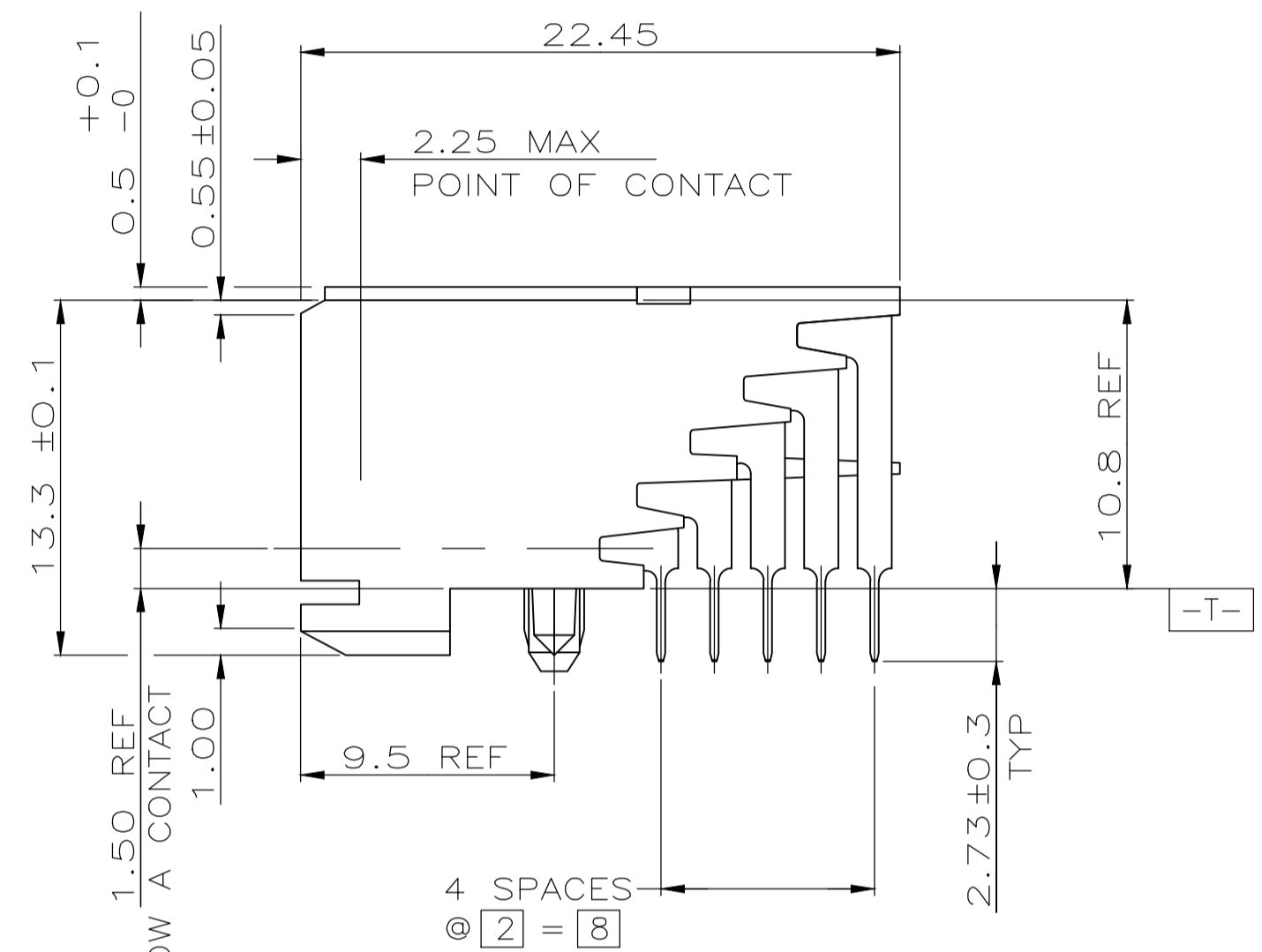
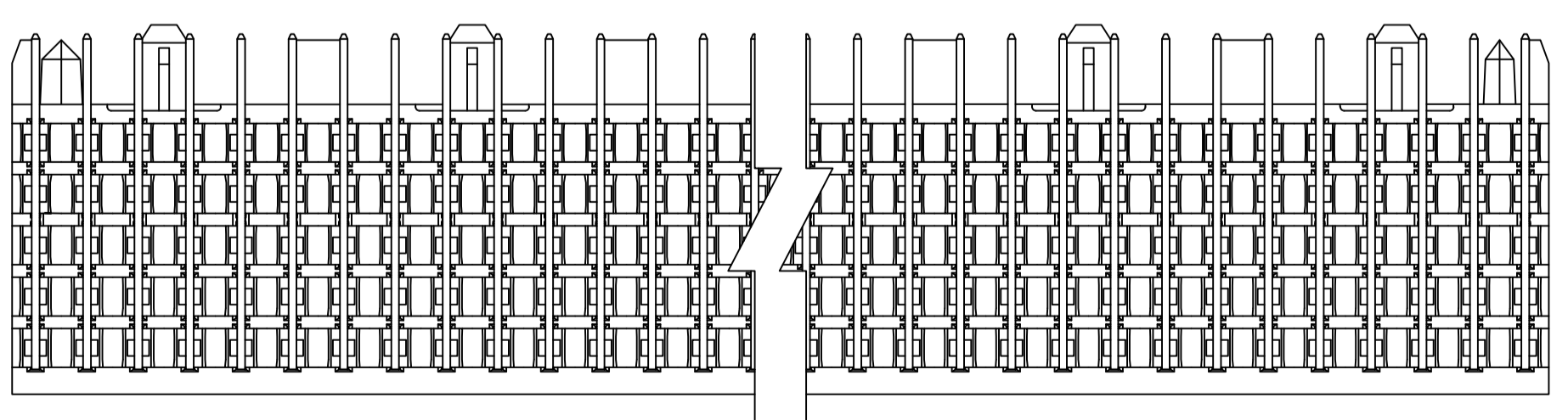
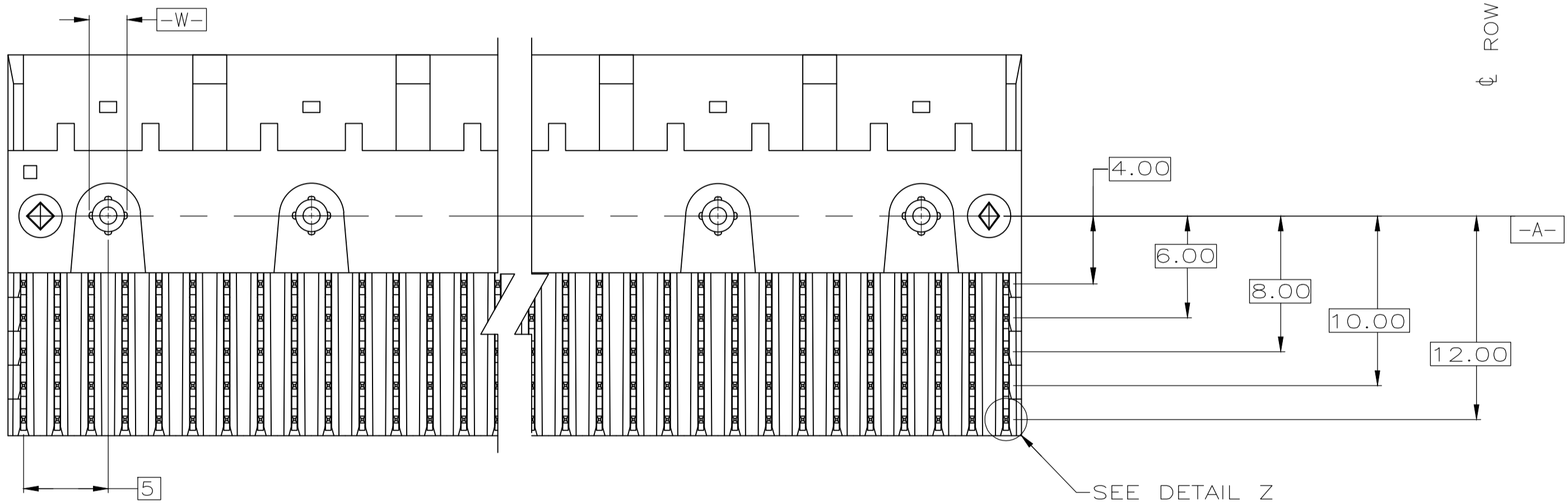
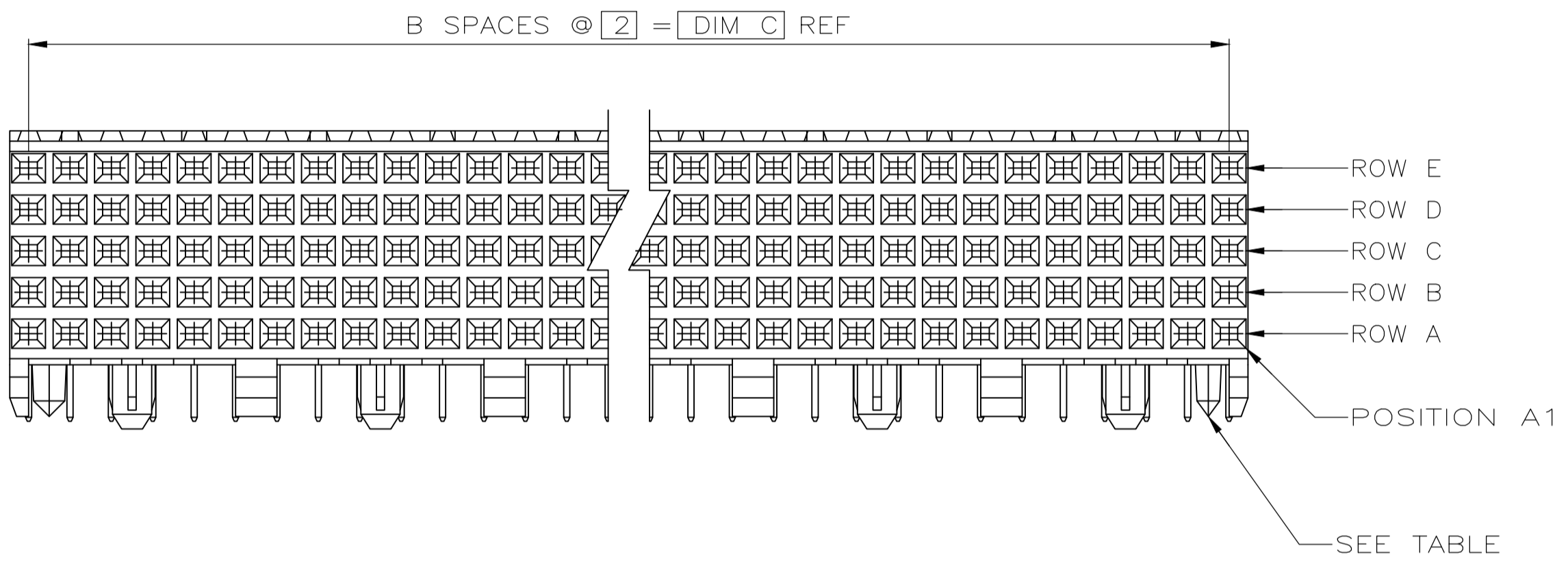
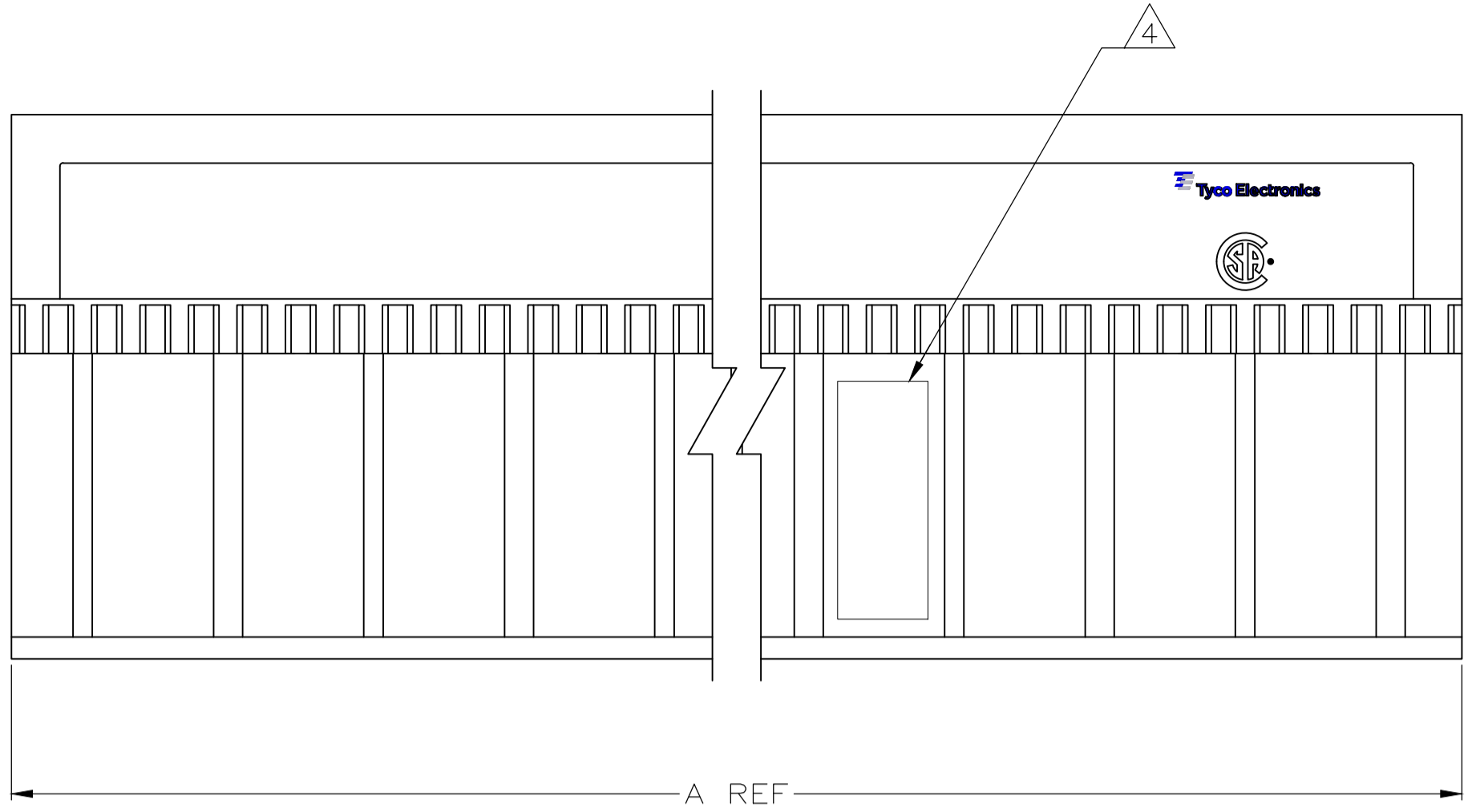


| REVISIONS | | | | | |
|-----------|-----|---------------------------|---------|-----|------|
| P | LTR | DESCRIPTION | DATE | DMN | APVD |
| B | | REVISED PER ECO-20-013368 | 22SEP20 | RZ | HL |



- ① HOUSING MATERIAL: LIQUID CRYSTAL POLYMER
COLOR: NATURAL.
- ② CONTACT MATERIAL: PHOSPHOR-BRONZE.
- ③ CONTACT FINISH:(A)
UNDERPLATE (ENTIRE CONTACT):
0.00127 MIN NICKEL PER SAE-AMS-QQ-N-290
ON MATING SURFACES:
CONFORMS TO ALL TESTING SPECIFIED FOR TELCORDIA
UNCONTROLLED ENVIRONMENT.
ON LEADS:
0.00381 MIN MATTE TIN PER ASTM B 545 OVER UNDERPLATE.
LUBRICATION (MIN MATING SURFACES):
SURFACE CONDITIONER AFTER PLATING.
- ④ PART MARKING LOCATED APPROXIMATELY AS SHOWN.
- ⑥ OBSOLETE PARTS: OBSOLETE CIS STREAMLINING PER D.RENAUD/D.SINISI
- ⑦ CONTACT FINISH:(A)
UNDERPLATE (ENTIRE CONTACT):
0.00127 MIN NICKEL PER SAE-AMS-QQ-N-290
ON MATING SURFACES:
0.00076 MIN GOLD PER ASTM B-488 OVER UNDERPLATE.
ON LEADS:
0.00381 MIN MATTE TIN PER ASTM B 545 OVER UNDERPLATE.
LUBRICATION (MIN MATING SURFACES):
SURFACE CONDITIONER AFTER PLATING.

RECOMMENDED CIRCUIT PATTERN
PER IPC-D300 TYPE II, CLASS C
(COMPONENT SIDE)

| OBSOLETE | YES | 10 | 3 | 11.88 | 30 | 3-5223004-1 |
|----------|-----|-----|----|--------|-------------------|-------------|
| | NO | 130 | 65 | 131.88 | 330 | 1-5223004-1 |
| | NO | 118 | 59 | 119.88 | 300 | 1-5223004-0 |
| OBSOLETE | NO | 106 | 53 | 107.88 | 270 | 5-5223004-9 |
| | NO | 94 | 47 | 95.88 | 240 | 5223004-8 |
| | NO | 82 | 41 | 83.88 | 210 | 5-5223004-7 |
| OBSOLETE | NO | 70 | 35 | 71.88 | 180 | 5-5223004-6 |
| | NO | 58 | 29 | 59.88 | 150 | 5223004-5 |
| | NO | 46 | 23 | 47.88 | 120 | 5223004-4 |
| | NO | 34 | 17 | 35.88 | 90 | 5223004-3 |
| | NO | 22 | 11 | 23.88 | 60 | 5223004-2 |
| | YES | 10 | 3 | 11.88 | 30 | 5223004-1 |
| | | C | B | A | NO OF SIGNAL POSN | PART NUMBER |

THIS DRAWING IS A CONTROLLED DOCUMENT.

DIMENSIONS: mm
 TOLERANCES UNLESS OTHERWISE SPECIFIED:
 0 PLC ± -
 1 PLC ± -
 2 PLC ± 0.13
 3 PLC ± -
 4 PLC ± -
 ANGLES ± -

MATERIAL: ① ②
 FINISH: ③ ⑤

THIS DRAWING IS A CONTROLLED DOCUMENT.
 DIN B MCMMASTER 19NOV04
 CJK R WERTZ 19NOV04
 APVD R WERTZ 19NOV04
 PRODUCT SPEC
 APPLICATION SPEC
 WEIGHT 0.000000
 SIZE CAGE CODE DRAWING NO
 A1 00779 C=5223004
 CUSTOMER DRAWING SCALE 4:1 SHEET 1 OF 1 REV B

STE TE Connectivity
 NAME ASSEMBLY, RECEPTACLE, SIGNAL, RIGHT ANGLE, Z-PACK 2mm FB, 5 ROW, SOLDER LEAD
 RESTRICTED TO