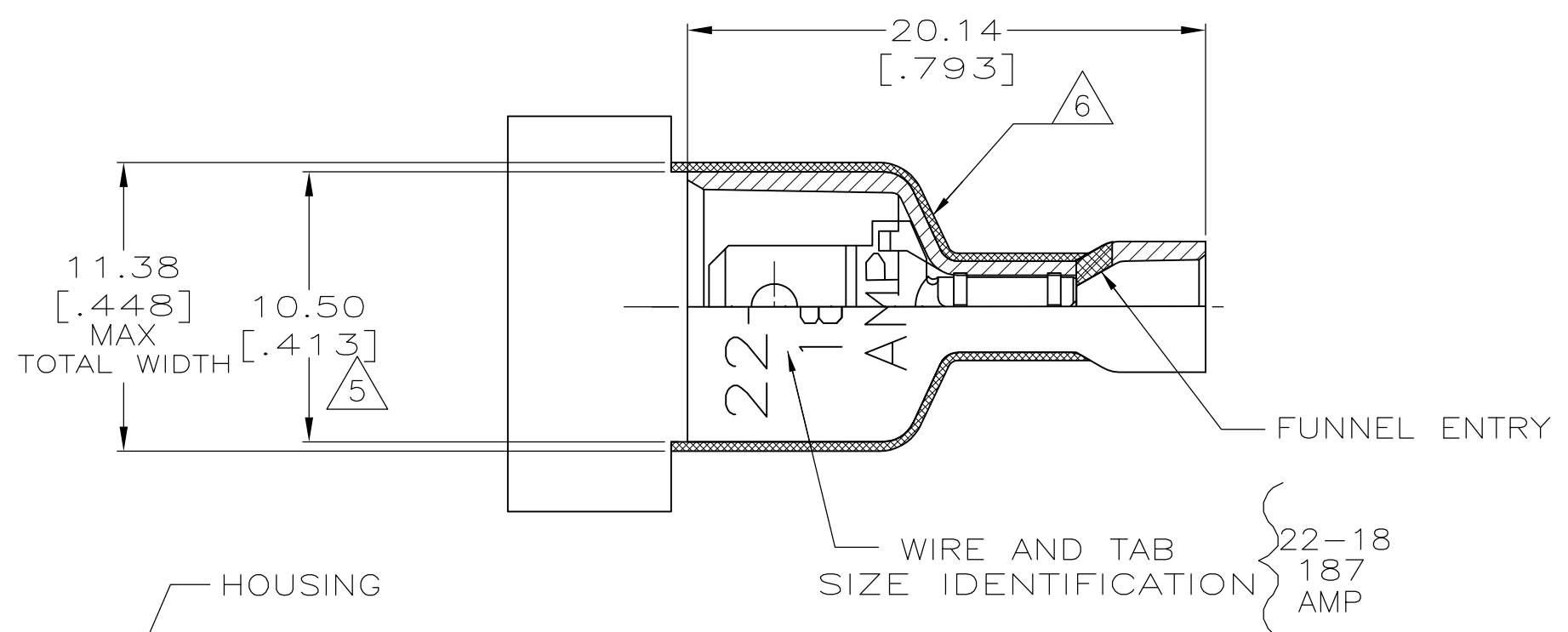
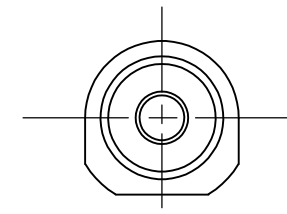
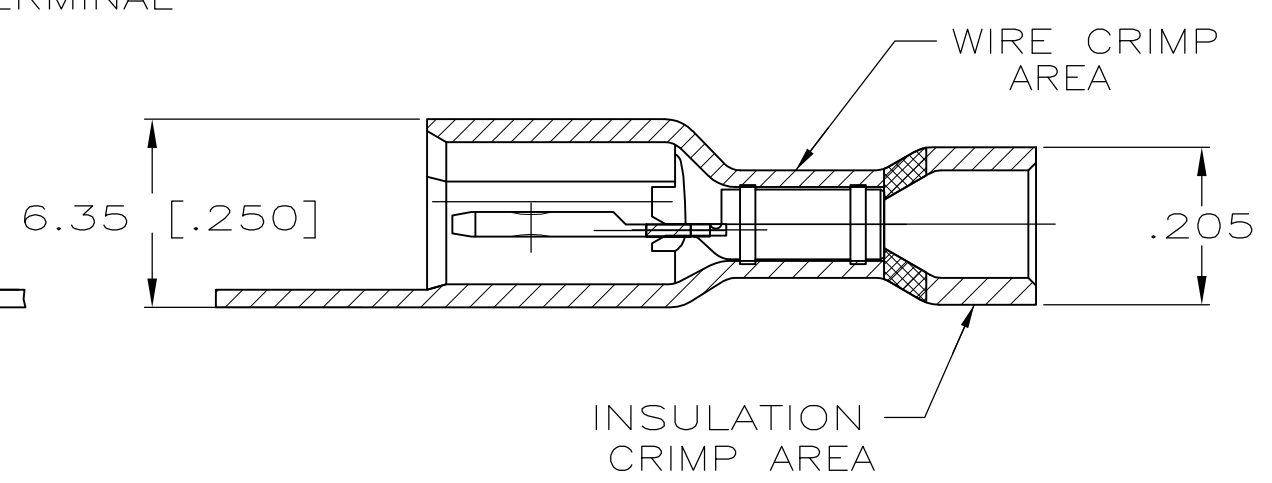
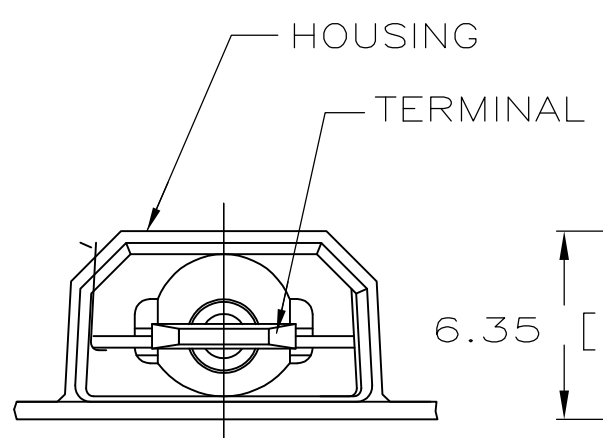


THIS DRAWING IS UNPUBLISHED. RELEASED FOR PUBLICATION  
 © COPYRIGHT - By - ALL RIGHTS RESERVED.

LOC	DIST	REVISIONS			
P	LTR	DESCRIPTION	DATE	DWN	APVD
AF	50	E	REVISED PER ECR-13-004343	30JUL13	KH KR



- 1 TAB DIMENSIONS 0.81±0.025 X 4.75 [.032±.001 X .187]
- 2 WIRE STRIP LENGTH 7.14 [.281]
- 3 INSULATION SIZE IS 1.52-3.43 [.060-.135] DIA.
- 4 CONTINUOUS STRIP ON REELS
- 5 DIMENSION DOES NOT INCLUDE TRIM BURR
- 6 0.38 [.015] MAX CARRIER TRIM BURR PER SIDE IS ALLOWABLE IN THE SHADED AREA



HOUSING: NYLON, COLOR-RED TRANSLUCENT TAB: BRASS, TIN	2-521361-2
MATERIAL & FINISH	PART NUMBER

THIS DRAWING IS A CONTROLLED DOCUMENT.		DWN JR RUTH 02NOV00	<b>TE Connectivity</b>  TAB ASSEMBLY, ULTRA-FAST, PLUS, 4.75 [.187] SERIES, 22-18 AWG				
DIMENSIONS: mm [INCHES]	TOLERANCES UNLESS OTHERWISE SPECIFIED:	CHK MS FEHER 02NOV00					
	0 PLC ± - 1 PLC ± - 2 PLC ± 0.38 [.015] 3 PLC ± - 4 PLC ± - ANGLES ± -	APVD J HUMMEL 02NOV00					
	MATERIAL SEE TABLE	FINISH SEE TABLE				PRODUCT SPEC 108-2017 APPLICATION SPEC 114-2123 WEIGHT -	
		NAME	SIZE	CAGE CODE	DRAWING NO	RESTRICTED TO	
		A3 00779 C-521361			SCALE 4:1	SHEET 1 OF 1	REV E