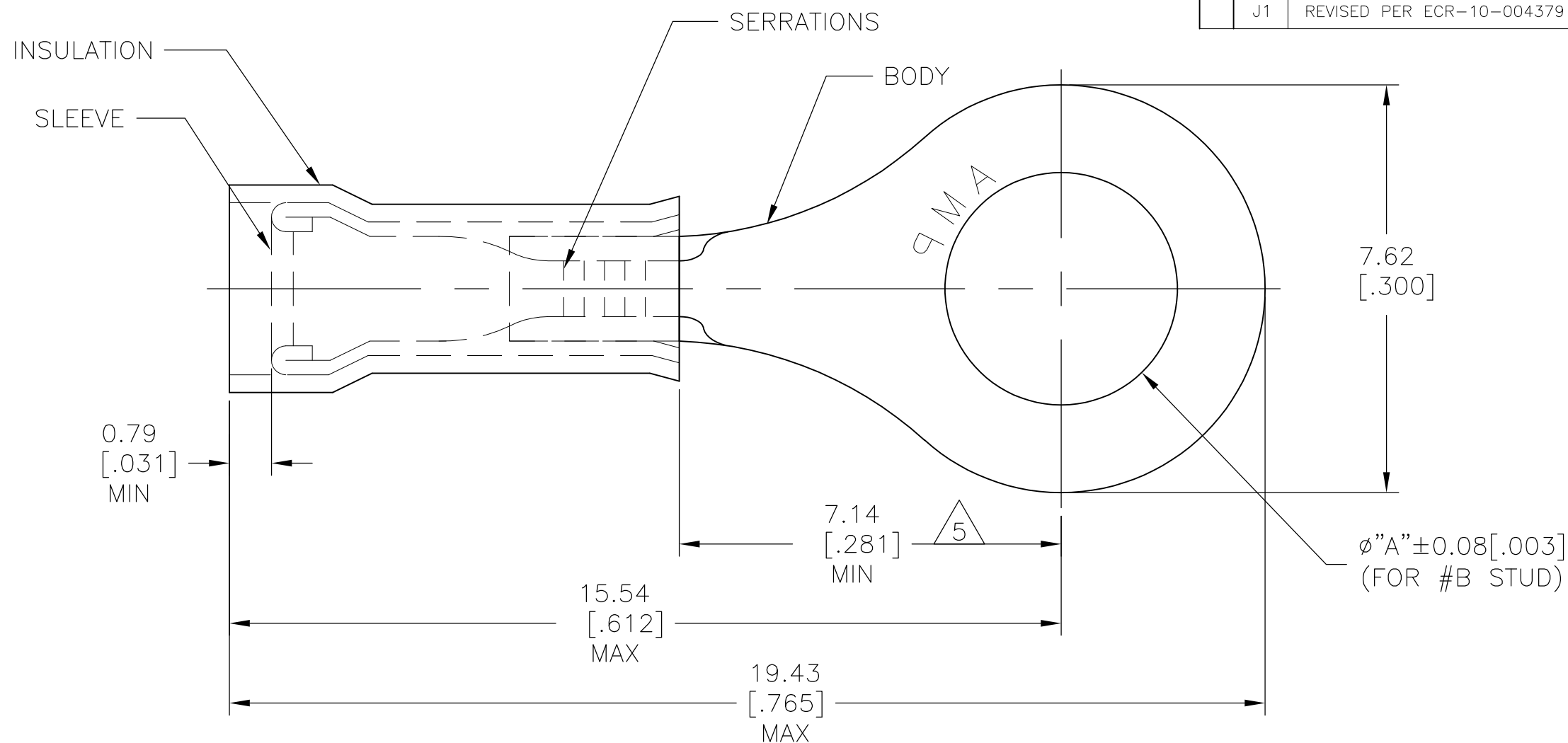


THIS DRAWING IS UNPUBLISHED. RELEASED FOR PUBLICATION
© COPYRIGHT BY TYCO ELECTRONICS CORPORATION. ALL INTERNATIONAL RIGHTS RESERVED.

LOC	DIST	REVISIONS					
G	14	P	LTR	DESCRIPTION	DATE	DWN	APVD
			J1	REVISED PER ECR-10-004379	22MAR10	HMR	JR



- 1 SUPERSEDED BY 52124-1
- 2 MILITARY RANGE: 26-24
COMMERCIAL RANGE: 26-22
- 3 FOR 1.27[.050] TO 2.08[.082]
WIRE INSULATION DIA
- 4 TONGUE MATERIAL THK
0.46±0.05[.018±.002]
- 5 APPLIES FROM EDGE OF METAL
BARREL TO CENTERLINE OF STUD HOLE.

OBSOLETE	#10	.197	1	WIRE TERMINAL	52124-3	BODY: COPPER ASTM-B152 TIN PL ASTM-B545 SLEEVE: COPPER ASTM-B152 TIN PL ASTM-B545 INSULATION: NYLON ASTM-D4066 TYPE I COLOR: YELLOW	52124-1
	#8	.171	1		52124-2		52124
	"B"	"A"	QTY		DESCRIPTION		PART NO ON TAPE

THIS DRAWING IS A CONTROLLED DOCUMENT.		DWN	RAGHAVENDRA	22MAR10	Tyco Electronics Corporation Harrisburg, PA 17105-3608			
DIMENSIONS: mm [INCHES]		CHK	JEFF RUTH	22MAR10	NAME			
		APVD	TOM MICHIELUTTI	22MAR10	TERMINAL PIDG - NYLON - RING TONGUE WIRE SIZE: 26-22			
TOLERANCES UNLESS OTHERWISE SPECIFIED:		PRODUCT SPEC		APPLICATION SPEC				
0 PLC ± - 1 PLC ± - 2 PLC ± - 3 PLC ± 0.20 [.008] 4 PLC ± - ANGLES ± 0° 30'		WEIGHT		SIZE		CAGE CODE	DRAWING NO	RESTRICTED TO
MATERIAL SEE TABLE		FINISH SEE TABLE		A3		00779	C-52124	-
CUSTOMER DRAWING				SCALE	10:1	SHEET	1 OF 1	REV
								J1