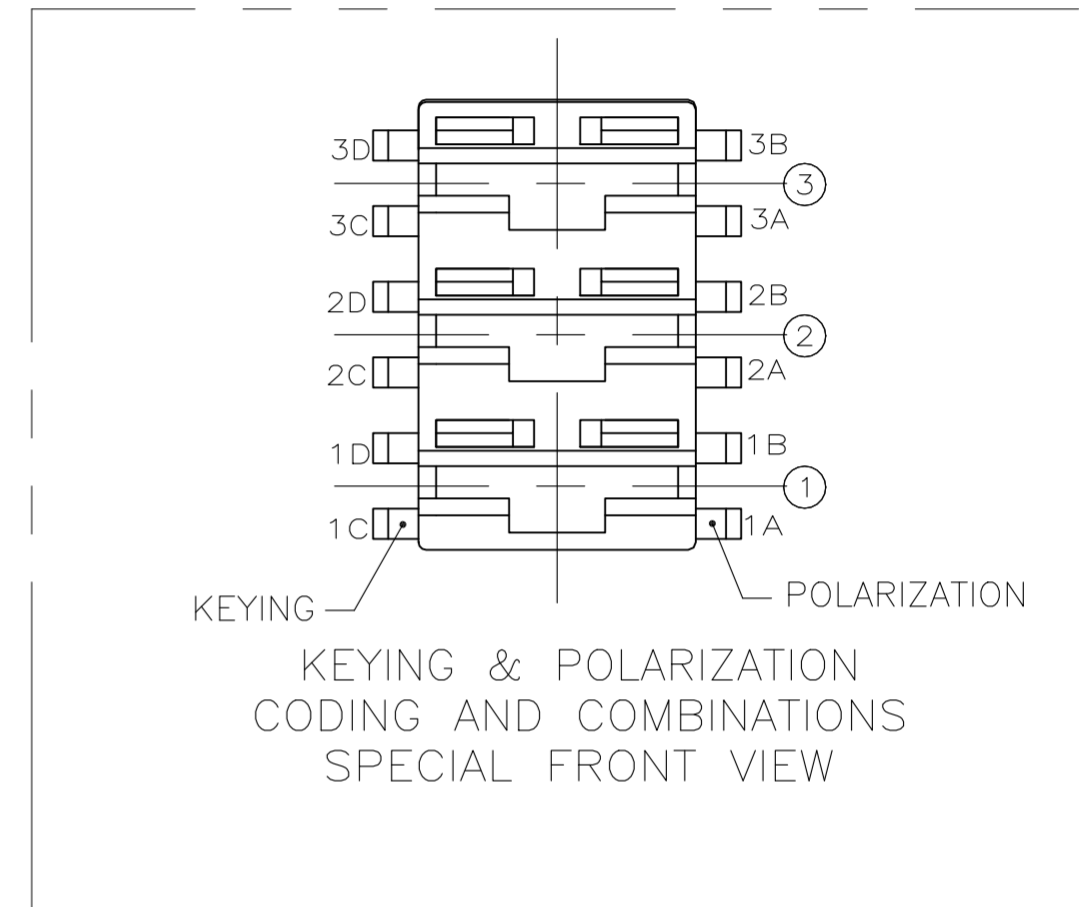
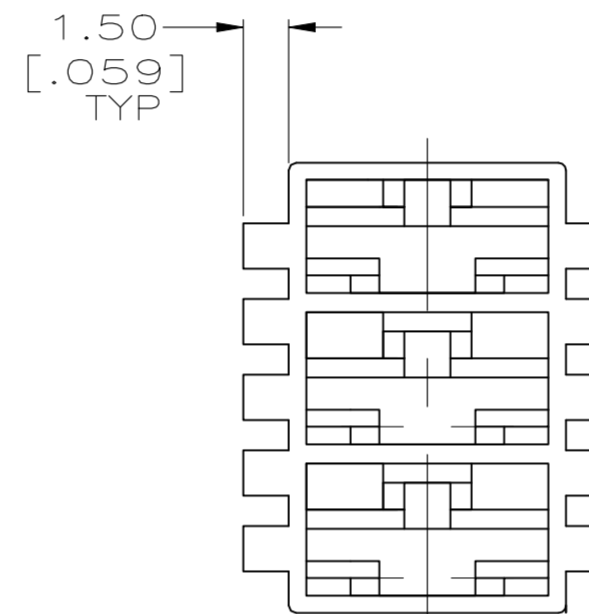
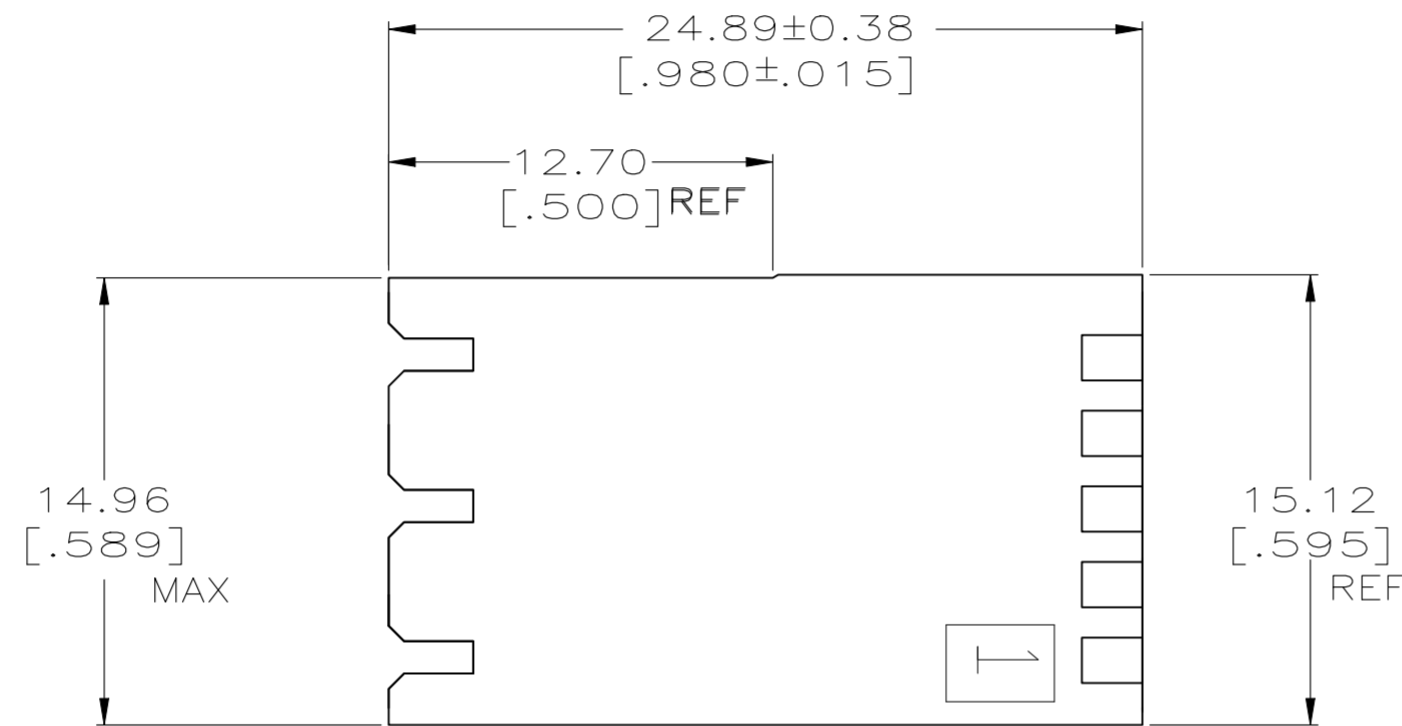
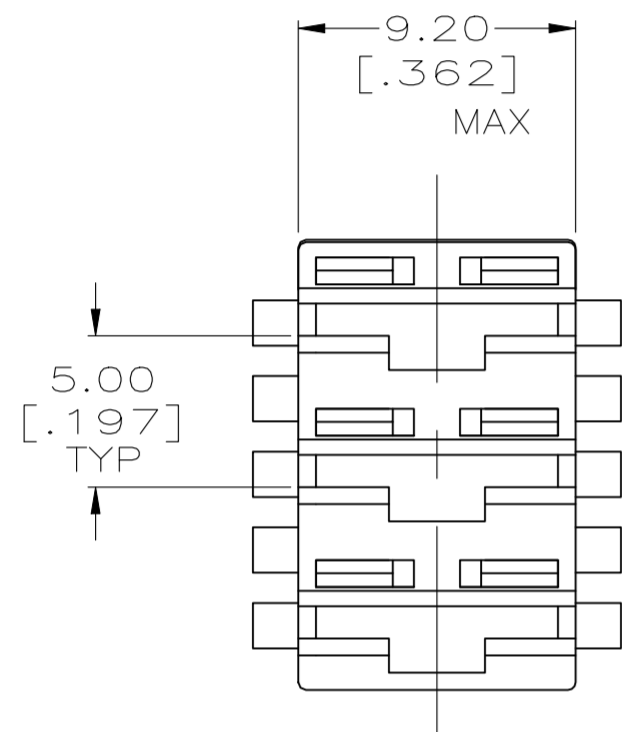
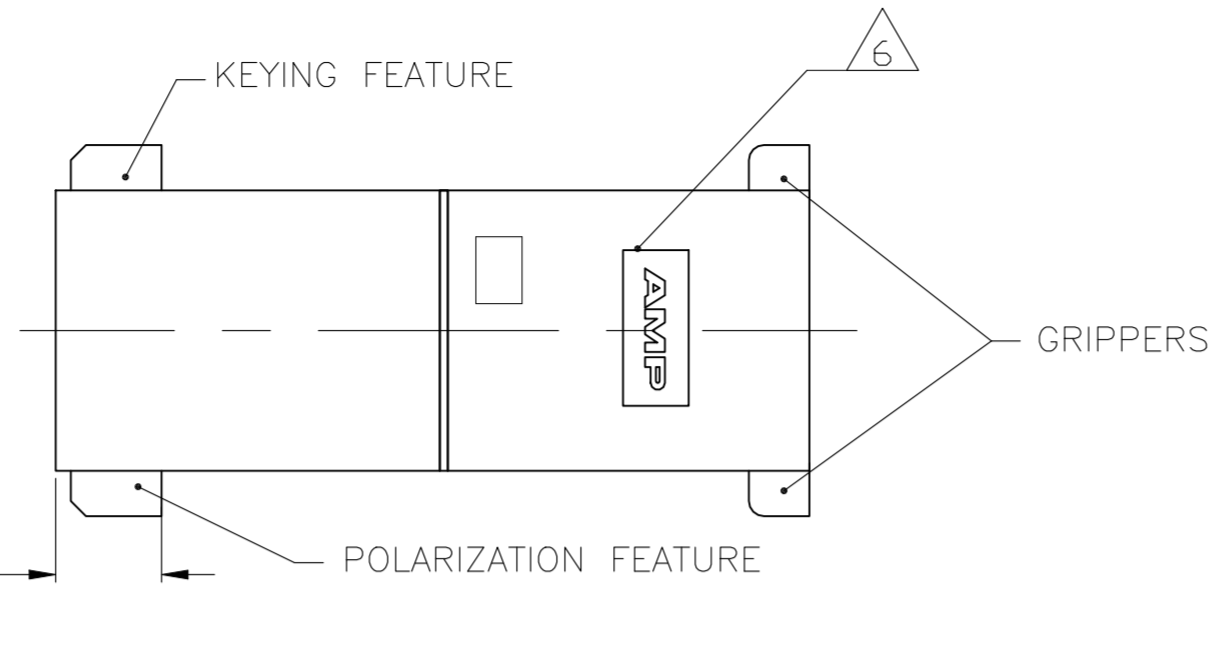


THIS DRAWING IS UNPUBLISHED. RELEASED FOR PUBLICATION
 © COPYRIGHT - By - ALL RIGHTS RESERVED.

REVISIONS					
P	LTR	DESCRIPTION	DATE	DWN	APVD
G9		REVISED PER ECR-24-204760	08APR2024	SM	FL



1 ACCEPTS RECEPTACLE CONTACTS 1217378 (#22-#18 AWG SINGLE WIRE), 1217094 (#18-#14 AWG SINGLE WIRE) AND 1217095 (TWO #18'S OR TWO #16'S OR A #16 + #18 COMBINATION).

2 FRONT AND BACK VIEWS SHOW ONLY THE GRIPPERS. FOR KEYING AND POLARIZATION FEATURES, SEE SPECIAL FRONT VIEW.

3 ACCORDING TO IEC 60335-1, GWEPT 750°C WITHOUT FLAME

4 PRELIMINARY - NOT FOR PRODUCTION

5 PREPRODUCTION- FASR REQUIRED

6 TRADEMARK/LOGO : AMP OR TE

3	-	NATURAL	1C,2C,3D	NONE	2-521205-2
3	-	NATURAL	1C,2D	1B	1-521205-2
	-	NATURAL	1C	1A,3A	9-521205-3
OBSOLETE	-	BLUE	1C,3D	1B	4 1-521205-9
3	-	NATURAL	1C, 3C	3B	1-521205-1
	-	BLACK	NONE	NONE	4 1-521205-0
	-	BLUE	1C,3D	1B	521205-9
	-	BLUE	1C,3D	2A,3B	4 521205-8
	-	NATURAL	1C,3C	3B	521205-7
	03-K	NATURAL	1C,3D	3B	521205-6
	-	BLUE	1C,2D	1B,3A	4 521205-5
	-	BLUE	1D,2C,3D	2A	521205-4
	-	BLUE	NONE	NONE	4 521205-3
	03-A	NATURAL	1C,2D	1B	4 521205-2
	03-A	BLUE	1C,2D	1B	521205-1
	RAST 5 DESIGNATION	FINISH/COLOR	KEYING FEATURE	POLARIZATION FEATURE	PART NUMBER

THIS DRAWING IS A CONTROLLED DOCUMENT.		DWN	JR RUTH	10/20/98																			
DIMENSIONS: mm [INCHES]		CHK	MS FEHER	10/20/98																			
TOLERANCES UNLESS OTHERWISE SPECIFIED:		APVD	J GILLESPIE	10/20/98																			
<table border="1"> <tr><td>0 PLC</td><td>±</td><td>-</td></tr> <tr><td>1 PLC</td><td>±</td><td>-</td></tr> <tr><td>2 PLC</td><td>±</td><td>0.25 [.010]</td></tr> <tr><td>3 PLC</td><td>±</td><td>-</td></tr> <tr><td>4 PLC</td><td>±</td><td>-</td></tr> <tr><td>ANGLES</td><td>±</td><td>-</td></tr> </table>		0 PLC	±	-		1 PLC	±	-	2 PLC	±	0.25 [.010]	3 PLC	±	-	4 PLC	±	-	ANGLES	±	-	PRODUCT SPEC	-	NAME
0 PLC	±	-																					
1 PLC	±	-																					
2 PLC	±	0.25 [.010]																					
3 PLC	±	-																					
4 PLC	±	-																					
ANGLES	±	-																					
MATERIAL	NYLON, V0	FINISH	SEE TABLE	WEIGHT	-																		
CUSTOMER DRAWING		SCALE	4:1	SHEET	1 OF 1																		
REV G9		CAGE CODE		00779	DRAWING NO																		
SCALE		C=521205		RESTRICTED TO																			