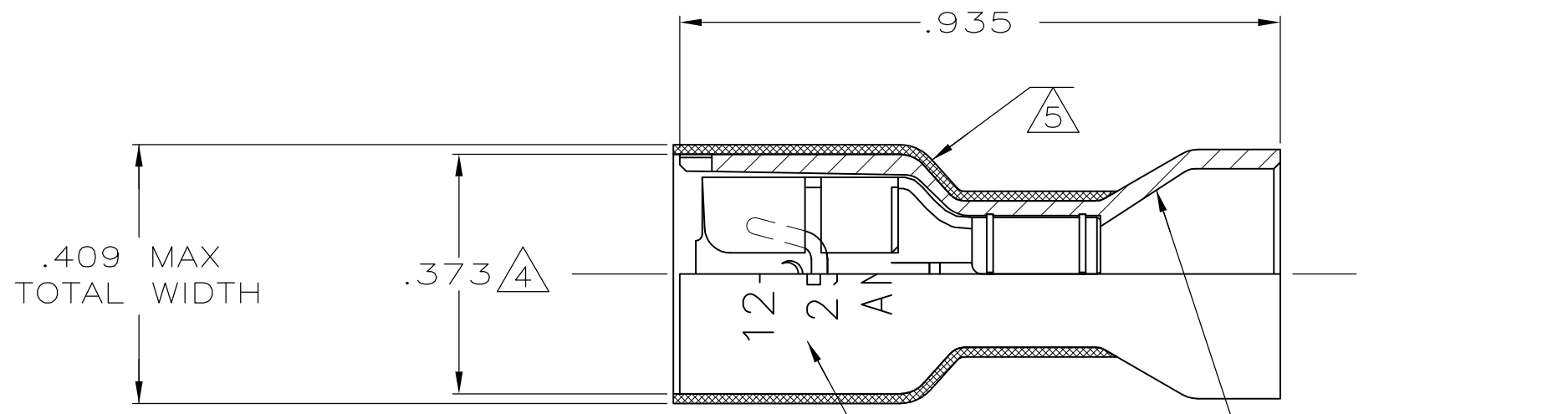
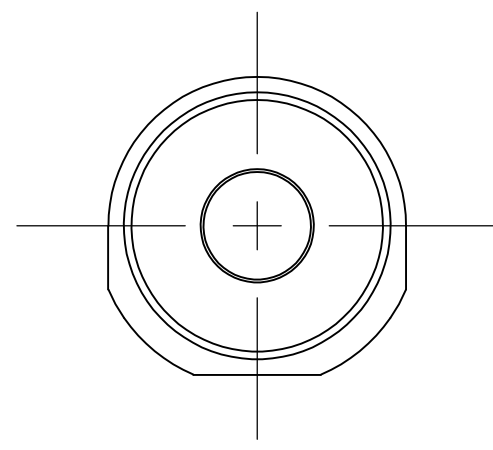
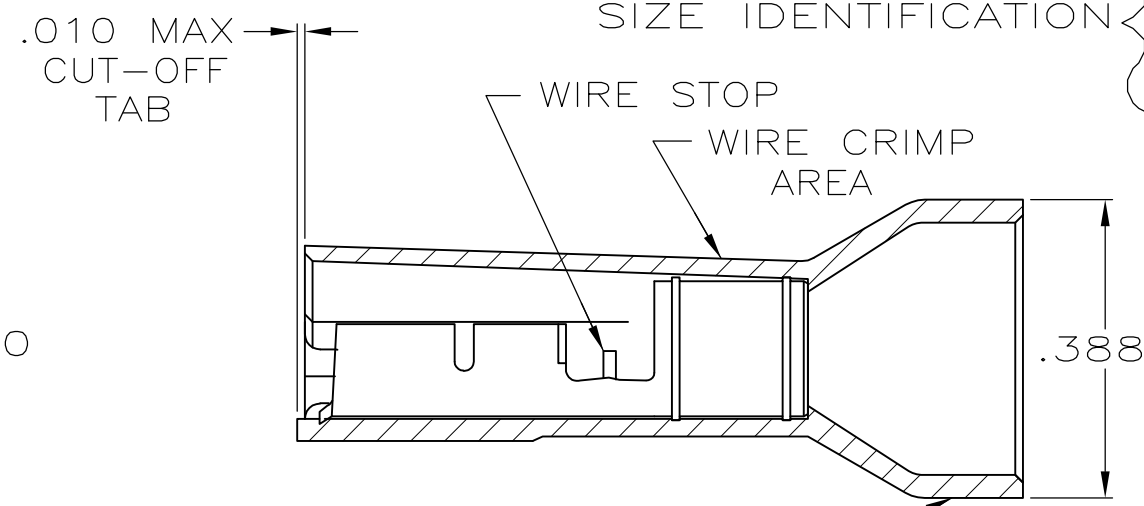
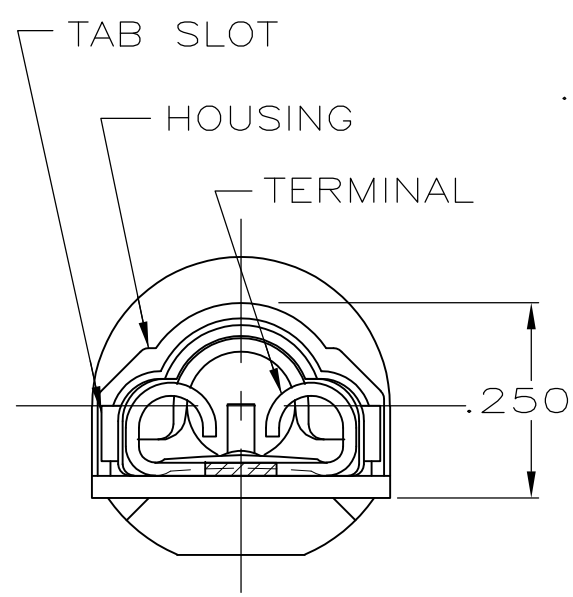


THIS DRAWING IS UNPUBLISHED. RELEASED FOR PUBLICATION  
 © COPYRIGHT - By - ALL RIGHTS RESERVED.

LOC	DIST	REVISIONS					
AF	50	P	LTR	DESCRIPTION	DATE	DWN	APVD
			K	REVISED PER ECR-13-004343	30JUL13	KH	KR



- 1 MATES WITH .032±.001x.250 TAB
- 2 WIRE STRIP LENGTH .312
- 3 INSULATION SIZE .320 MAX DIA
- △4 DIMENSION DOES NOT INCLUDE TRIM BURR
- △5 .015 MAX CARRIER TRIM BURR PER SIDE IS ALLOWABLE IN THE SHADED AREA



HOUSING: NYLON, COLOR-YELLOW TRANSLUCENT  
 RECEPTACLE: BRASS, TIN

MATERIAL & FINISH PART NO  
 4-520448-2

THIS DRAWING IS A CONTROLLED DOCUMENT.		DWN	P FORTNEY	11/4/88	 TE Connectivity	NAME		RECEPTACLE ASSEMBLY, ULTRA-FAST, LOOSE PIECE .250 SERIES, 12-10 AWG			
DIMENSIONS: INCHES		CHK	MS FEHER	11/7/88		PRODUCT SPEC			108-2043 APPLICATION SPEC		
TOLERANCES UNLESS OTHERWISE SPECIFIED:		APVD	K RANDOLPH	11/7/88		SIZE				A3 00779 C-520448	
0 PLC ± - 1 PLC ± - 2 PLC ± - 3 PLC ± .015 4 PLC ± - ANGLES ± -		MATERIAL		FINISH		RESTRICTED TO					
SEE TABLE		SEE TABLE		CUSTOMER DRAWING		SCALE	4:1	SHEET	1 OF 1	REV	K