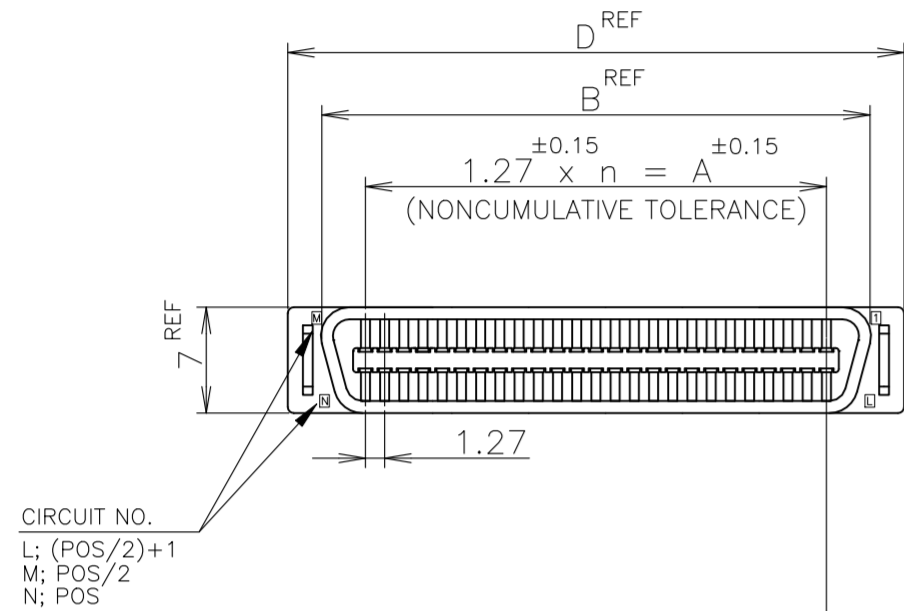
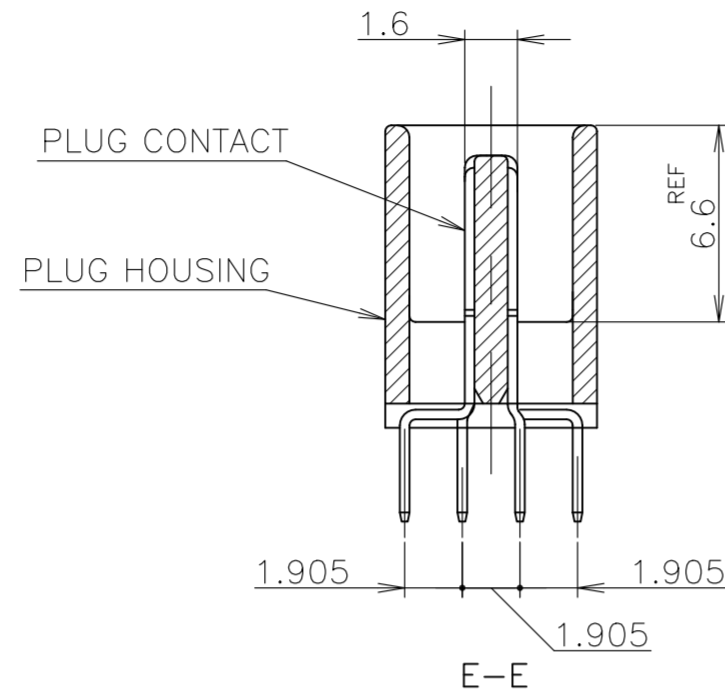
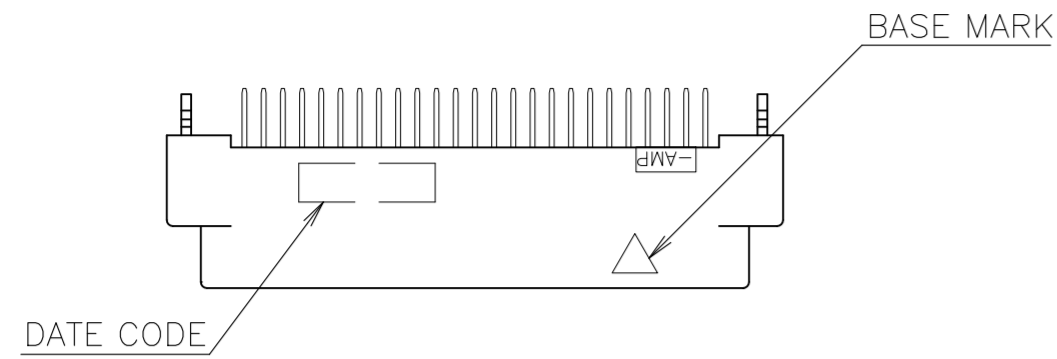
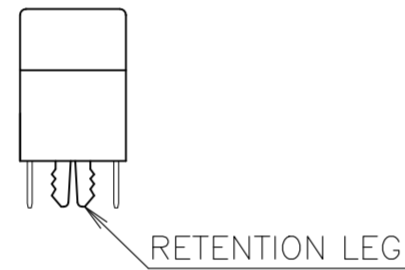
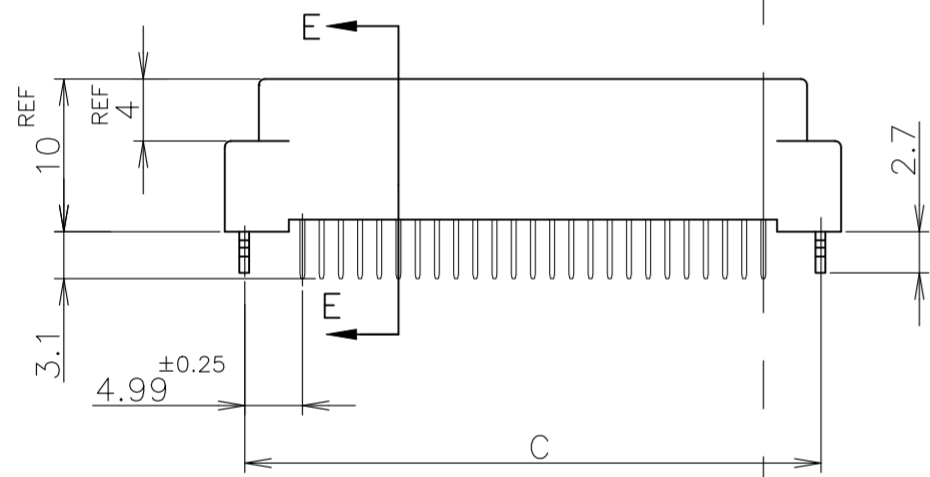


REVISIONS					
P	LTR	DESCRIPTION	DATE	DWN	APVD
C1		REVISED PER ECN-24-257267	10JUN2024	AP	IT

- 1 NUMBER "n" S COUNTED FROM DATUM (CIRCUIT NO.1 IS "AMP" MARK SIDE.)
- 2 MATERIAL: HOUSING; 66 NYLON (GF) UL 94V-0, BLACK.
: CONTACT; PHOSPHOR BRONZE.
: RETENTION LEG; BRASS.
- 3 FINISH: CONTACT; Au AT CONTACT AREA (SEE TABLE),
TIN AT TINE OVER Ni.
RETENTION LEG; TIN UNDER Ni.



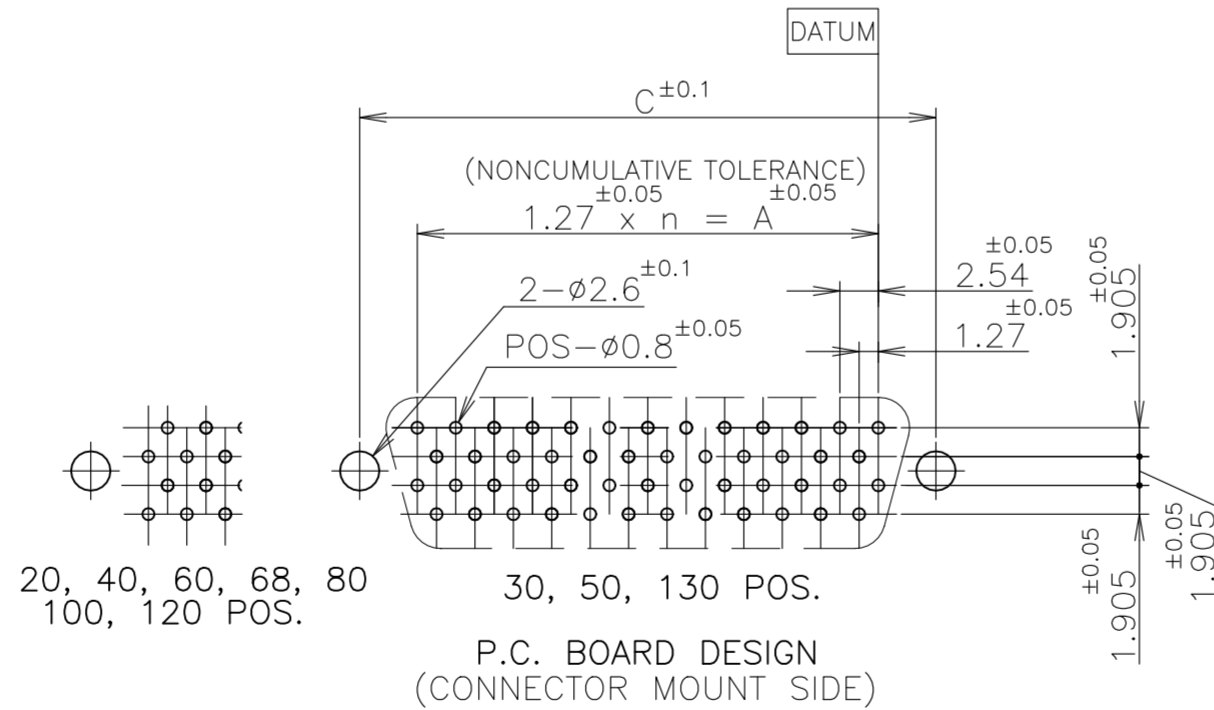
CIRCUIT NO.
 L: (POS/2)+1
 M: POS/2
 N: POS



20, 40, 60, 68, 80
 100, 120 POS.

30, 50, 130 POS.

DATUM



20, 40, 60, 68, 80
 100, 120 POS.

30, 50, 130 POS.

P.C. BOARD DESIGN
 (CONNECTOR MOUNT SIDE)

LEAD FREE

POS.	n	A	B	C	D			
6-	-2		130	64	81.28	89.62	91.25	93.90
6-	-1		120	59	74.93	83.27	84.90	87.55
6-	-0		100	49	62.23	70.57	72.20	74.85
5-	-9		80	39	49.53	57.87	59.50	62.15
5-	-8		68	33	41.91	50.25	51.88	54.53
5-	-7		60	29	36.83	45.17	46.80	49.45
5-	-6		50	24	30.48	38.82	40.45	43.10
5-	-5		40	19	24.13	32.47	34.10	36.75
OBSOLETE	5-	-3	30	14	17.78	26.12	27.75	30.40
5-	-1	0.00076	20	9	11.43	19.77	21.40	24.05
OBSOLETE	4-	-2	130	64	81.28	89.62	91.25	93.90
OBSOLETE	4-	-1	120	59	74.93	83.27	84.90	87.55
4-	-0		100	49	62.23	70.57	72.20	74.85
3-	-9		80	39	49.53	57.87	59.50	62.15
3-	-8		68	33	41.91	50.25	51.88	54.53
3-	-7		60	29	36.83	45.17	46.80	49.45
OBSOLETE	3-	-6	50	24	30.48	38.82	40.45	43.10
3-	-5		40	19	24.13	32.47	34.10	36.75
3-	-3		30	14	17.78	26.12	27.75	30.40
3-	-1	0.0005	20	9	11.43	19.77	21.40	24.05
OBSOLETE	1-	-2	130	64	81.28	89.62	91.25	93.90
1-	-1		120	59	74.93	83.27	84.90	87.55
OBSOLETE	1-	-0	100	49	62.23	70.57	72.20	74.85
OBSOLETE		-9	80	39	49.53	57.87	59.50	62.15
		-8	68	33	41.91	50.25	51.88	54.53
		-7	60	29	36.83	45.17	46.80	49.45
		-6	50	24	30.48	38.82	40.45	43.10
		-5	40	19	24.13	32.47	34.10	36.75
		-3	30	14	17.78	26.12	27.75	30.40
5175473-1	0.0002	20	9	11.43	19.77	21.40	24.05	
PART NO.	Au PLATE	POS.	n	A	B	C	D	

THIS DRAWING IS A CONTROLLED DOCUMENT.

DWN: Julyee Zhu 19AUG2004	NAME: Steven Yao	TE Connectivity Ltd.
CHK: Steven Yao 19AUG2004	NAME: Ikuo Enomoto	
APVD: Ikuo Enomoto 19AUG2004	PRODUCT SPEC: 108-60038	SIZE: A2
MATERIAL: 66 NYLON (GF) UL 94V-0, BLACK	FINISH: Au AT CONTACT AREA, TIN AT TINE OVER Ni	CAGE CODE: 00779
WEIGHT: 0.000000	CUSTOMER DRAWING	DRAWING NO: C=5175473
SCALE: NTS	SHEET: 1 OF 1	REV: C1

GENERAL TOLERANCE
 10 ≥ : ±0.2
 30 ≥ > 10: ±0.25
 100 ≥ > 30: ±0.3
 ANGLES: ±3°