

THIS DRAWING IS UNPUBLISHED.

RELEASED FOR PUBLICATION

AUG, 2004.

© COPYRIGHT 2004 By -

ALL RIGHTS RESERVED.

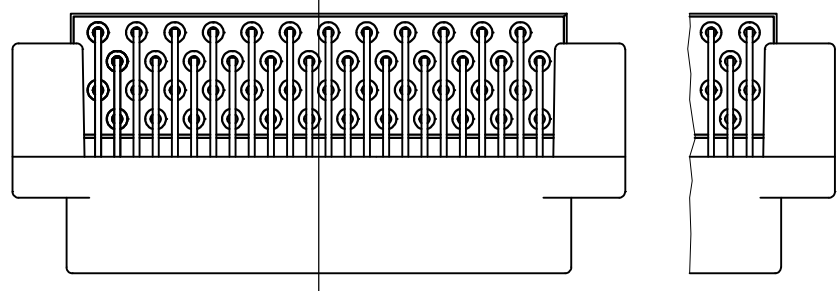
REVISIONS

变更

P	LTR	DESCRIPTION	DATE	DWN	APVD
	B	REVISED PER ECO-17-004665	10AUG2017	AP	DG

48,68,96 POS

34 POS

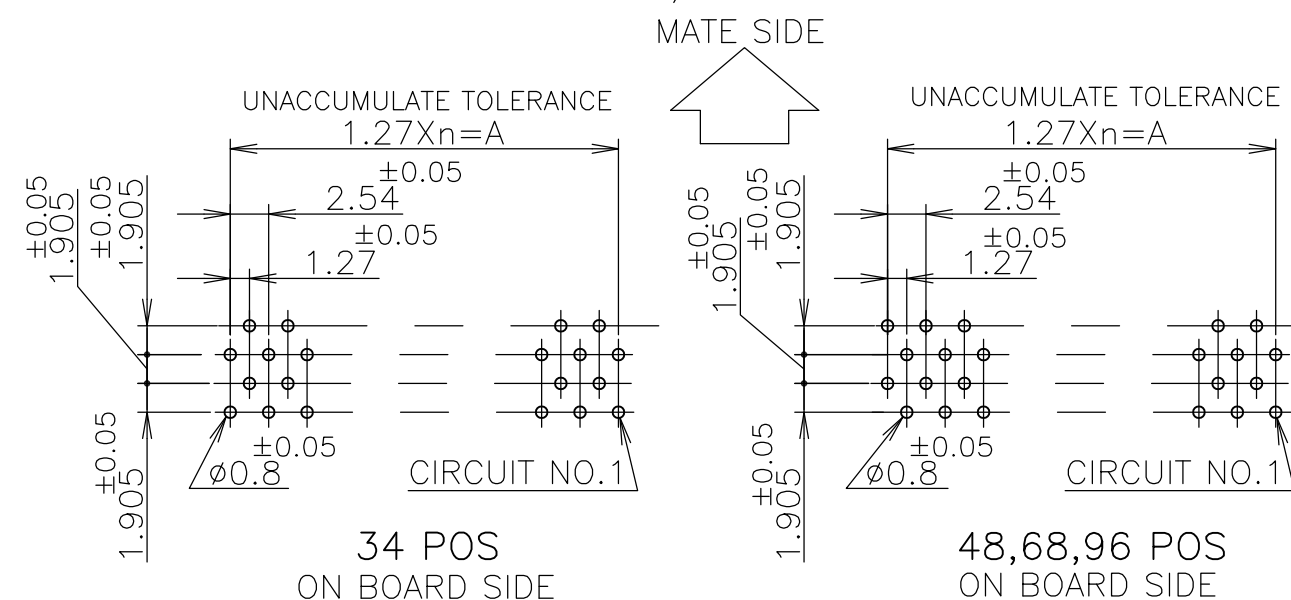
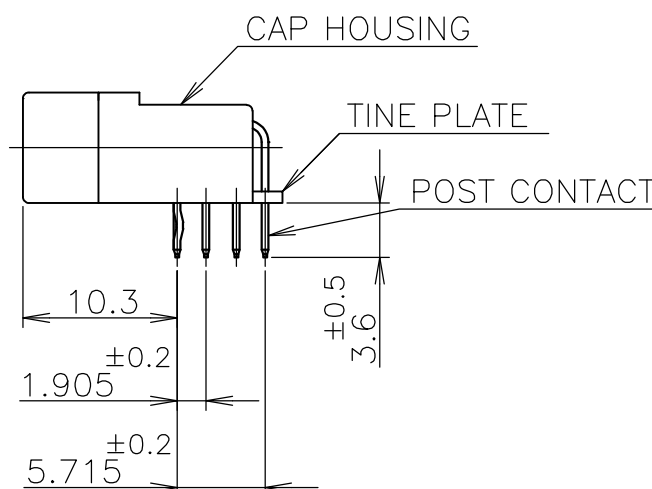
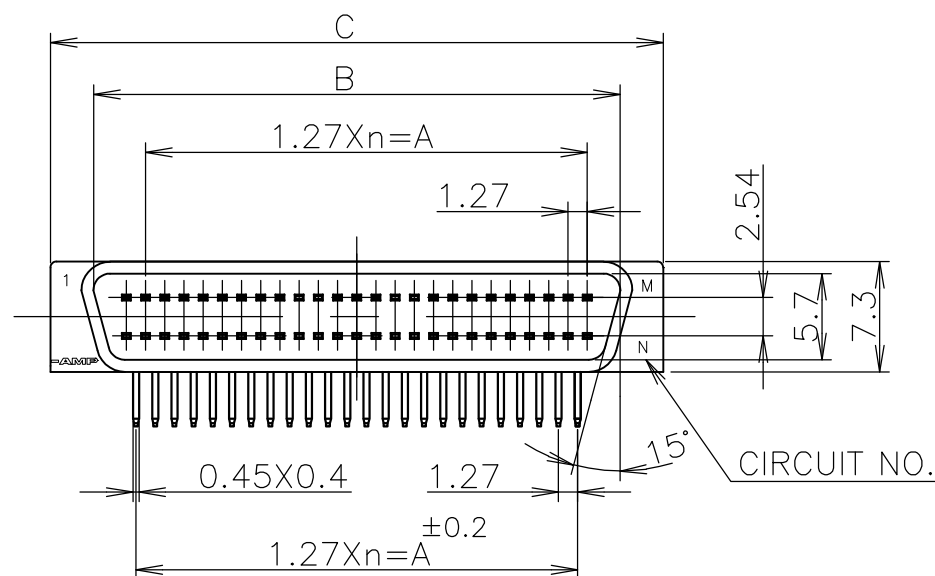


1 MATERIAL AND FINISH  
 CAP HOUSING AND TINE PLATE  
 ; THERMOPLASTIC (UL94V-0) COLOR:BLACK  
 POST CONTACT  
 ; PHOS-BRONZE FINISH,OVER NICKEL  
 MATING END:0.0002 MIN. OR  
 0.00076 MIN. GOLD  
 TERMINATION END:TIN  
 OVER SEALING TREATMENT.

2 P.C.B. LAYOUT AND P.C.B. TREATMENT(REF.)  
 USE A P.C.B. SURFACE ARE TREATED WITH SOLDER RESIST.

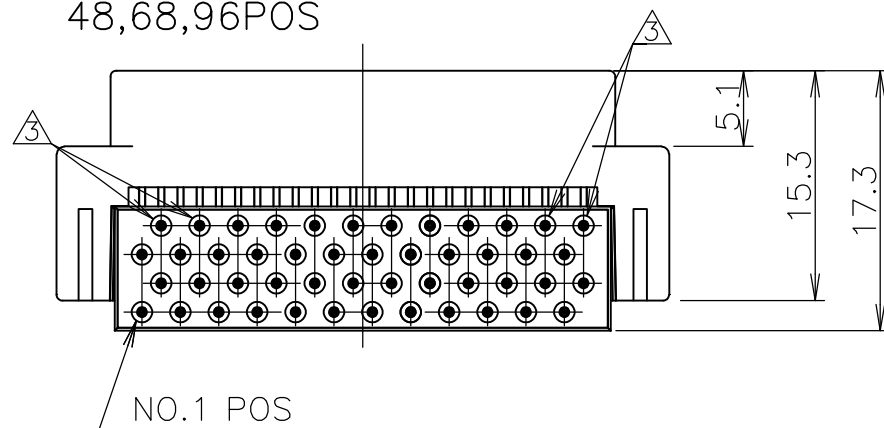
3 KINK POSITIONS(4 POSITIONS).

4 OBSOLETE PARTS: OBSOLETE CIS STREAMLINING PER  
 D.RENAUD/D.SINISI



48,68,96POS

34POS

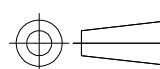


OBSOLETE		96	48	59.69	64.06	71.00	47	96	5174684-8
OBSOLETE	Au PL. 0.0002 MIN.	68	34	41.91	46.28	53.22	33	68	-5174684-7
		48	24	29.21	33.58	40.52	23	48	5174684-6
4 OBSOLETE		34	17	20.32	24.69	31.63	16	34	-5174684-5
REMARK		N	M	A	B	C	n	POS.	PART NO.
		CIRCUIT NO.			DIMENSION				

THIS DRAWING IS A CONTROLLED DOCUMENT.

DIMENSIONS:  
单位: 耗  
mm

TOLERANCES UNLESS  
OTHERWISE SPECIFIED:  
一般公差



0 PLC	± -
1 PLC	± -
2 PLC	± -
3 PLC	± -
4 PLC	± -
ANGLES	± -

FINISH  
仕上

MATERIAL  
材料

GENERAL TOLERANCE

10 ≥	±0.2
30 ≥ > 10	±0.25
100 ≥ > 30	±0.3
ANGLES:	±3°

LEAD FREE

DWN	23AUG04	COREL WANG
CHK	23AUG04	STEVEN YAO
APVD	23AUG04	I.ENOMOTO
PRODUCT SPEC	108-60036	
APPLICATION SPEC	取付適用規格	
WEIGHT	0.000000	
CUSTOMER DRAWING		



CAP ASSY HORIZONTAL (W/KINK)  
 AMPLIMITE .050 SERIES I B-TO-B CONN.

SIZE	CAGE CODE	DRAWING NO	RESTRICTED TO
A3	00779	C-5174684	

SCALE	SHEET	REV
尺度 NTS	1 OF 1	B