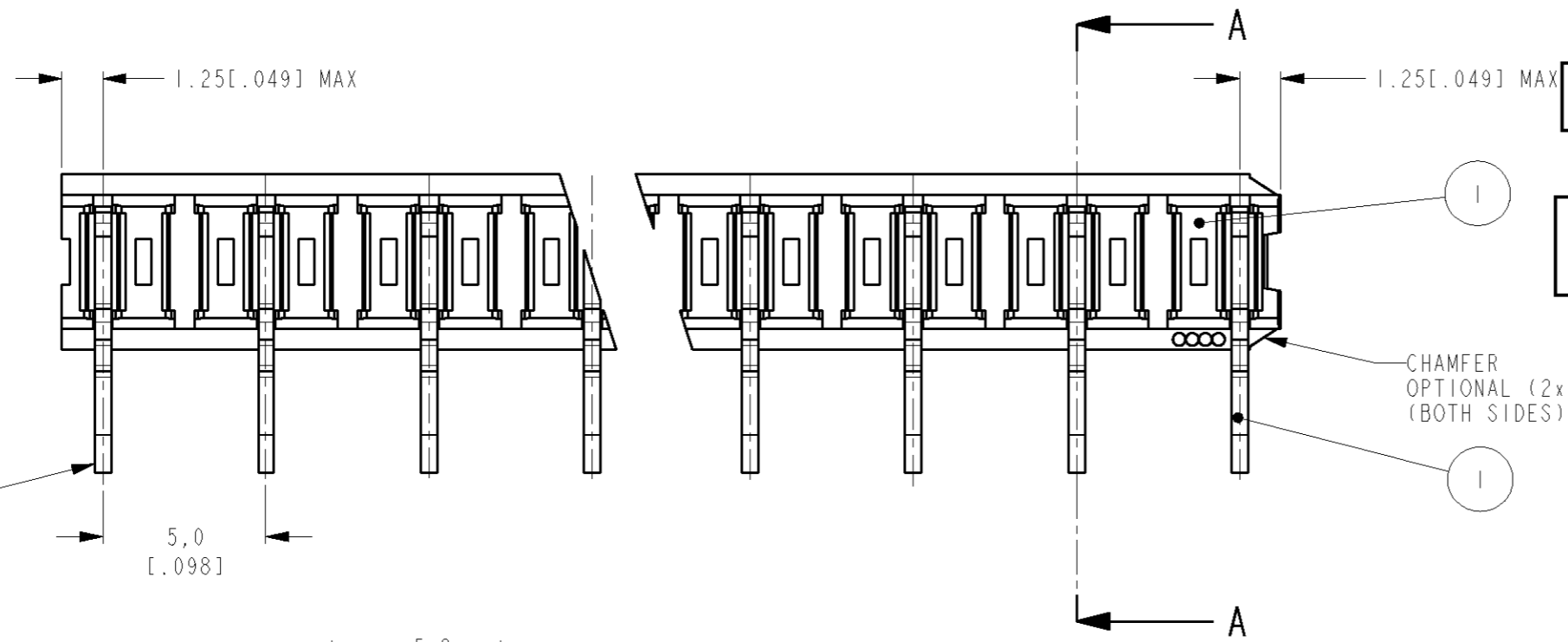
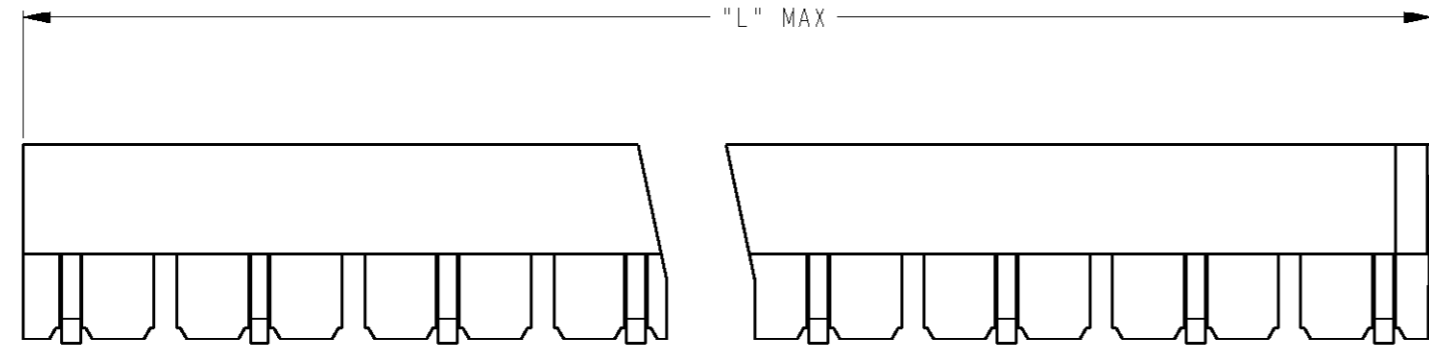


THIS DRAWING IS UNPUBLISHED. RELEASED FOR PUBLICATION  
 © COPYRIGHT - BY TYCO ELECTRONICS CORPORATION. ALL RIGHTS RESERVED.

LOC	DIST	REVISIONS					
H	-	P	LTR	DESCRIPTION	DATE	DWN	APVD
			A	ECN EH10 0344 05	31marc2005	MG	MG
			A1	REVISED PER ECO-09-026945	28NOV09	KK	AEG



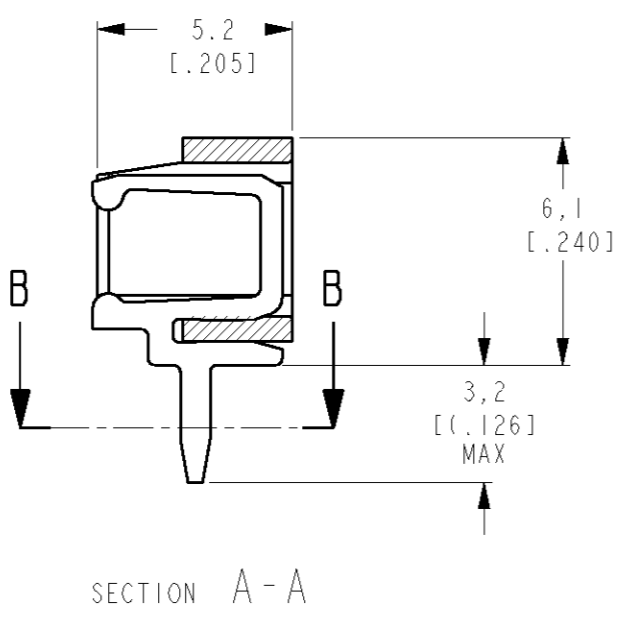
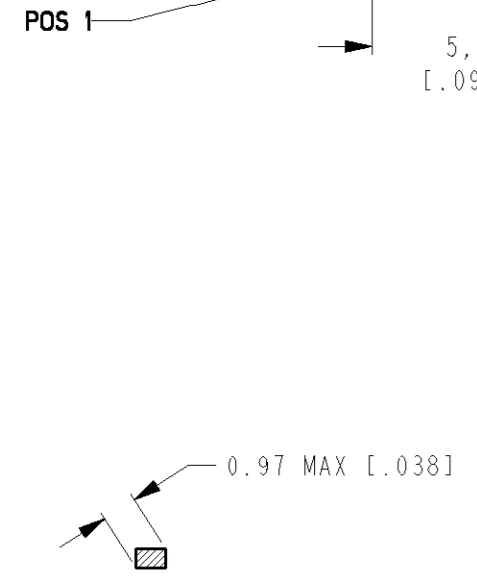
ORDER NUMBER	NUMBER OF POSITIONS	L MAX.	
		M.M.	INCHES
5164854	2	7,5	.296
5164854	3	12,5	.492
5164854	4	17,5	.690
5164854	5	22,5	.886
5164854	6	27,5	1.083
5164854	7	32,5	1.280
5164854	8	37,5	1.477
5164854	9	42,5	1.674
5164854	10	47,5	1.871
1- 5164854	11	52,5	2.067
1- 5164854	12	57,5	2.264
1- 5164854	13	62,5	2.461
1- 5164854	14	67,5	2.658
1- 5164854	15	72,5	2.855

**1**  
OBSOLETE

**1**  
OBSOLETE

**1**  
OBSOLETE

CHAMFER  
OPTIONAL (2x)  
(BOTH SIDES)



**1** OBSOLETE PARTS: OBSOLETE CIS STREAMLINING PER D.RENAUD/D.SINISI

ITEM NO.	DESCRIPTION	MATERIAL	FINISH	QUANTITY
2	CONTACT	BRASS	TIN OVER NICKEL	SEE TABLE
1	HOUSING	PBT, 20% GF	GREEN	1

THIS DRAWING IS A CONTROLLED DOCUMENT FOR TYCO ELECTRONICS CORPORATION  
 IT IS SUBJECT TO CHANGE AND THE CONTROLLING ENGINEERING ORGANIZATION  
 SHOULD BE CONTACTED FOR THE LATEST REVISION.

DIMENSIONS:	TOLERANCES UNLESS OTHERWISE SPECIFIED:
mm	
0 PLC	±
1 PLC	±
2 PLC	±
3 PLC	±
4 PLC	±
ANGLES	±
MATERIAL	FINISH

DWN 31 mar 05  
M.Gosselink  
 CHR 31 mar 05  
M.Gosselink  
 APVD -  
 PRODUCT SPEC 108-19027  
 APPLICATION SPEC -  
 WEIGHT -

**tyco Electronics** TYCO ELECTRONICS NEDERLAND B.V.  
 's-HERTOGENBOSCH, THE NETHERLANDS

NAME 2-15 POS FEMALE BOARD TO BOARD CONNECTOR ASSEMBLY FOR MINI-MATCH INTERCONNECTION SYSTEM, PITCH 5,0 MM

SIZE A3 CAGE CODE 00779 DRAWING NO C-5164854 RESTRICTED TO -

CUSTOMER DRAWING SCALE 5:1 SHEET 1 OF 1 REV A1