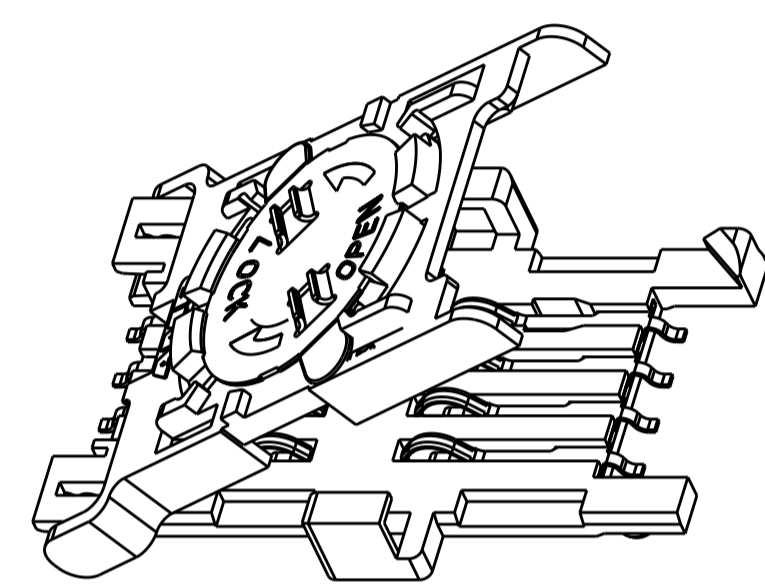
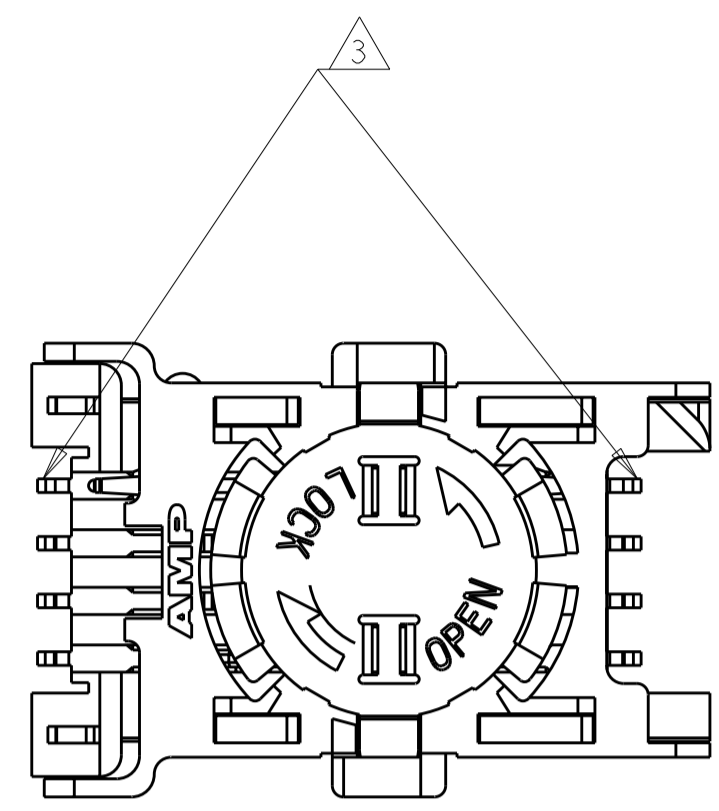


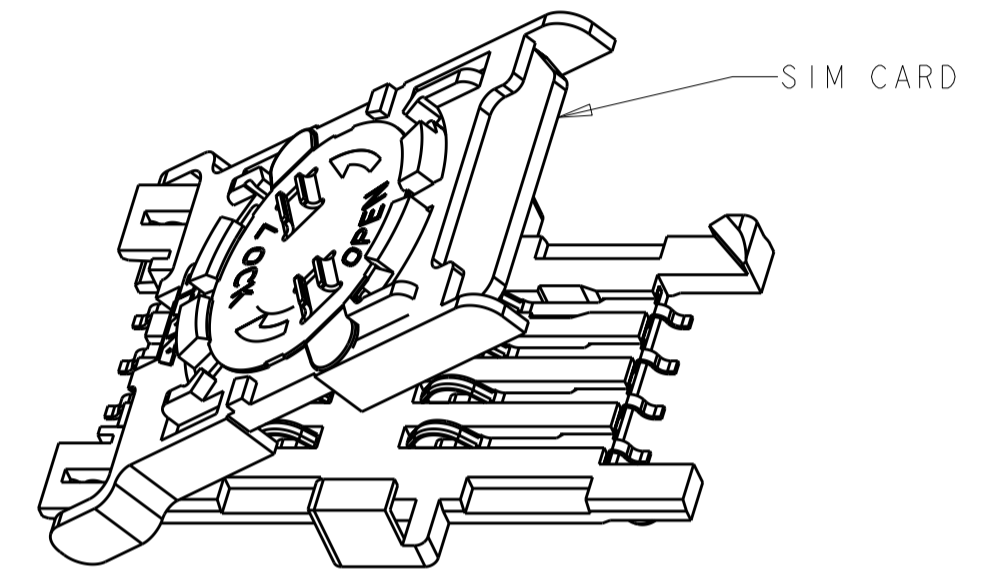
THIS DRAWING IS UNPUBLISHED. RELEASED FOR PUBLICATION 20
 © COPYRIGHT 20 BY - ALL RIGHTS RESERVED.

LOC	DIST	REVISIONS					
GP	00	P	LTR	DESCRIPTION	DATE	DWN	APVD
		P		REVISED PER ECO-11-005027	16MAR2011	RK	HMR

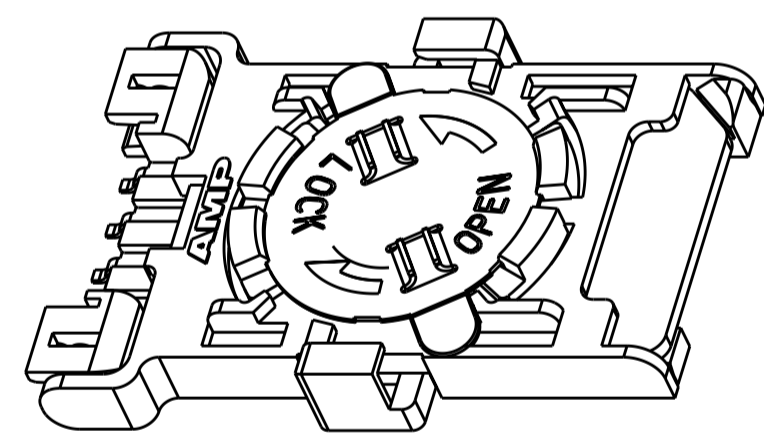
- 1 HOUSING: THERMOPLASTIC, CONTACTS: PHOSPHOR BRONZE, LOCKING DISK: STAINLESS STEEL.
- 2 CONTACTS: GOLD PLATE ON MATING SURFACE, TIN ON SOLDER TAIL, ALL OVER NICKEL UNDERPLATE.
- 3 CARD DETECTOR SWITCH CONTACTS IF APPLICABLE.
- 4 DATUMS AND DIMENSIONS ESTABLISHED BY CUSTOMER.



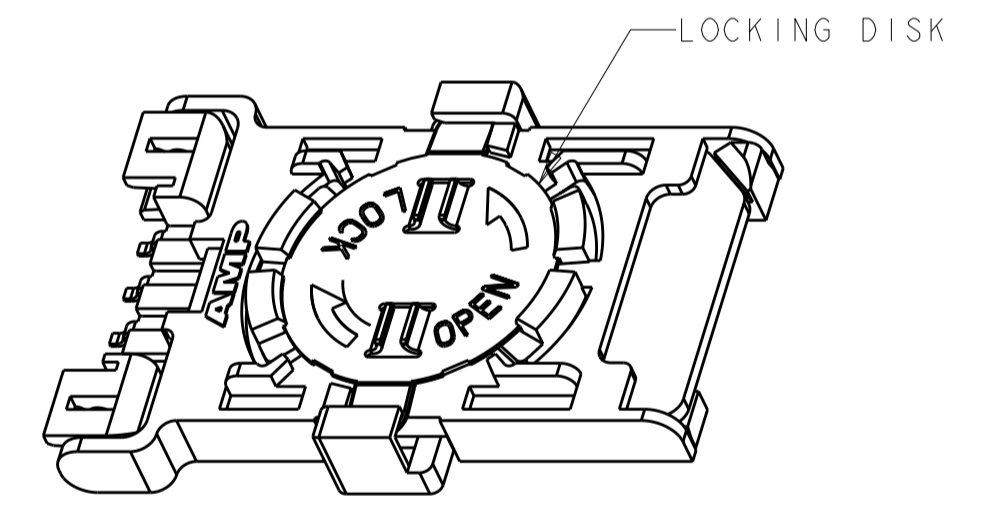
CONNECTOR SHOWN OPEN WITH HINGED COVER AND LOCKING MECHANISM



STEP 1
SLIDE SIM CARD INTO LID

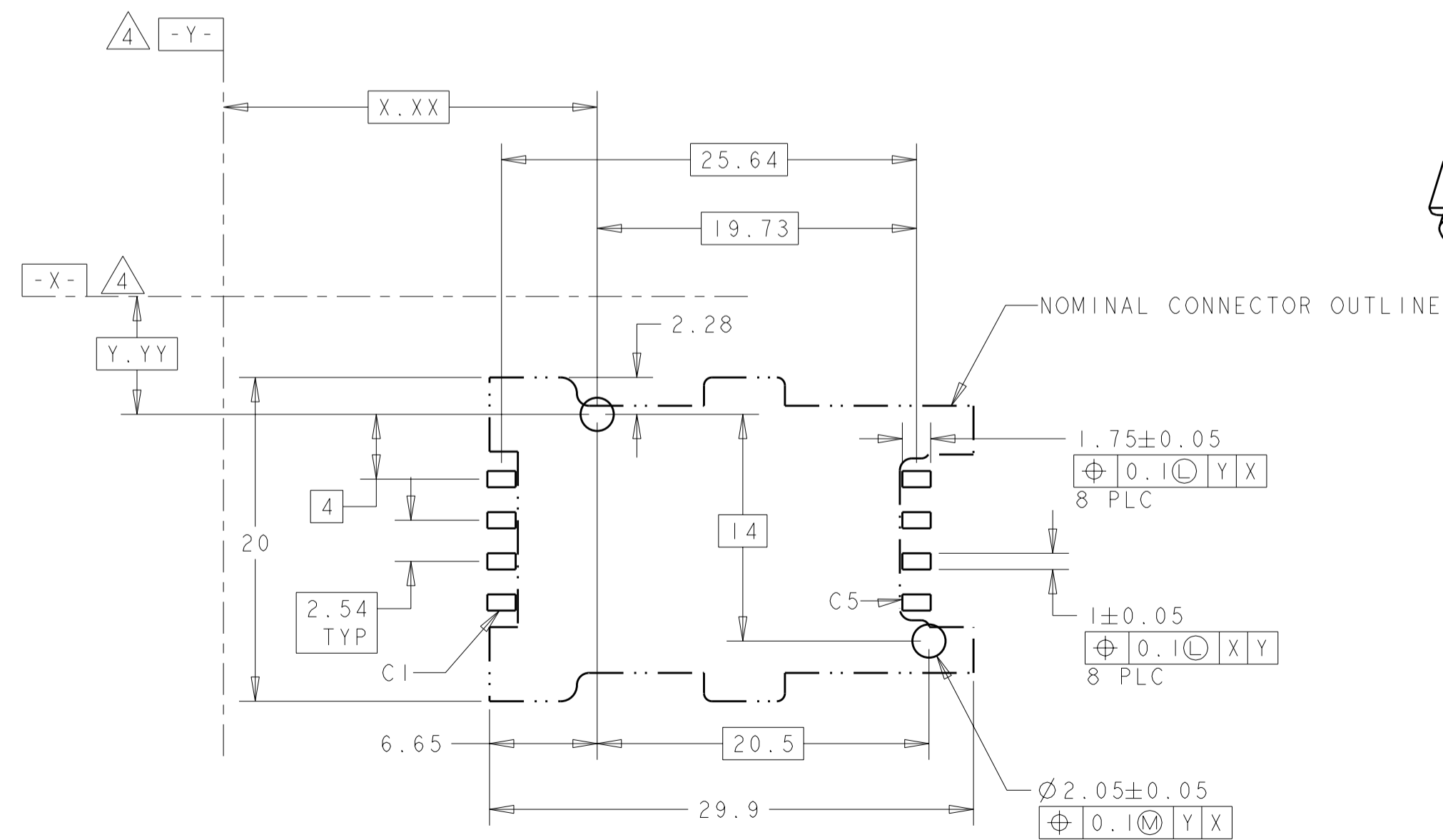
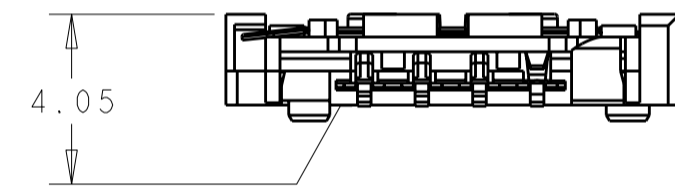
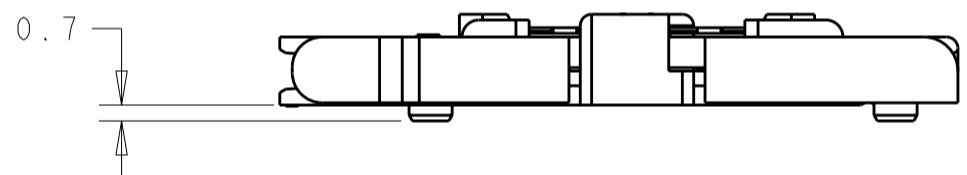


STEP 2
ROTATE LID DOWN TO HORIZONTAL POSITION



STEP 3
ROTATE LOCKING DISK CLOCKWISE TO SECURE SIM CARD IN READABLE POSITION

TO REMOVE CARD, ROTATE LOCKING DISK COUNTER CLOCKWISE, SIM CARD WILL THEN BE ACCESSIBLE AS SEEN IN STEP 1.



RECOMMENDED P.C. BOARD PATTERN

8	5145299-2
6	5145299-1
POSITIONS	PART NUMBER

THIS DRAWING IS A CONTROLLED DOCUMENT.		DWN J. GERACE 01JUN05	TE Connectivity	
DIMENSIONS: mm		CHK D. GORENC 01JUN05		
TOLERANCES UNLESS OTHERWISE SPECIFIED:		APVD M. WALMSLEY 01JUN05	NAME SIM/SAM CONNECTOR WITH LID, 8 POSN OR 6 POSN WITH SWITCH, SURFACE MOUNT	
0 PLC ±		PRODUCT SPEC -	SIZE CAGE CODE DRAWING NO RESTRICTED TO	
1 PLC ±		APPLICATION SPEC -	A20779C-5145299	
2 PLC ±		WEIGHT -	SCALE 3:1 SHEET OF REV P	
3 PLC ±		CUSTOMER DRAWING		
4 PLC ±				
ANGLES ±				
FINISH				