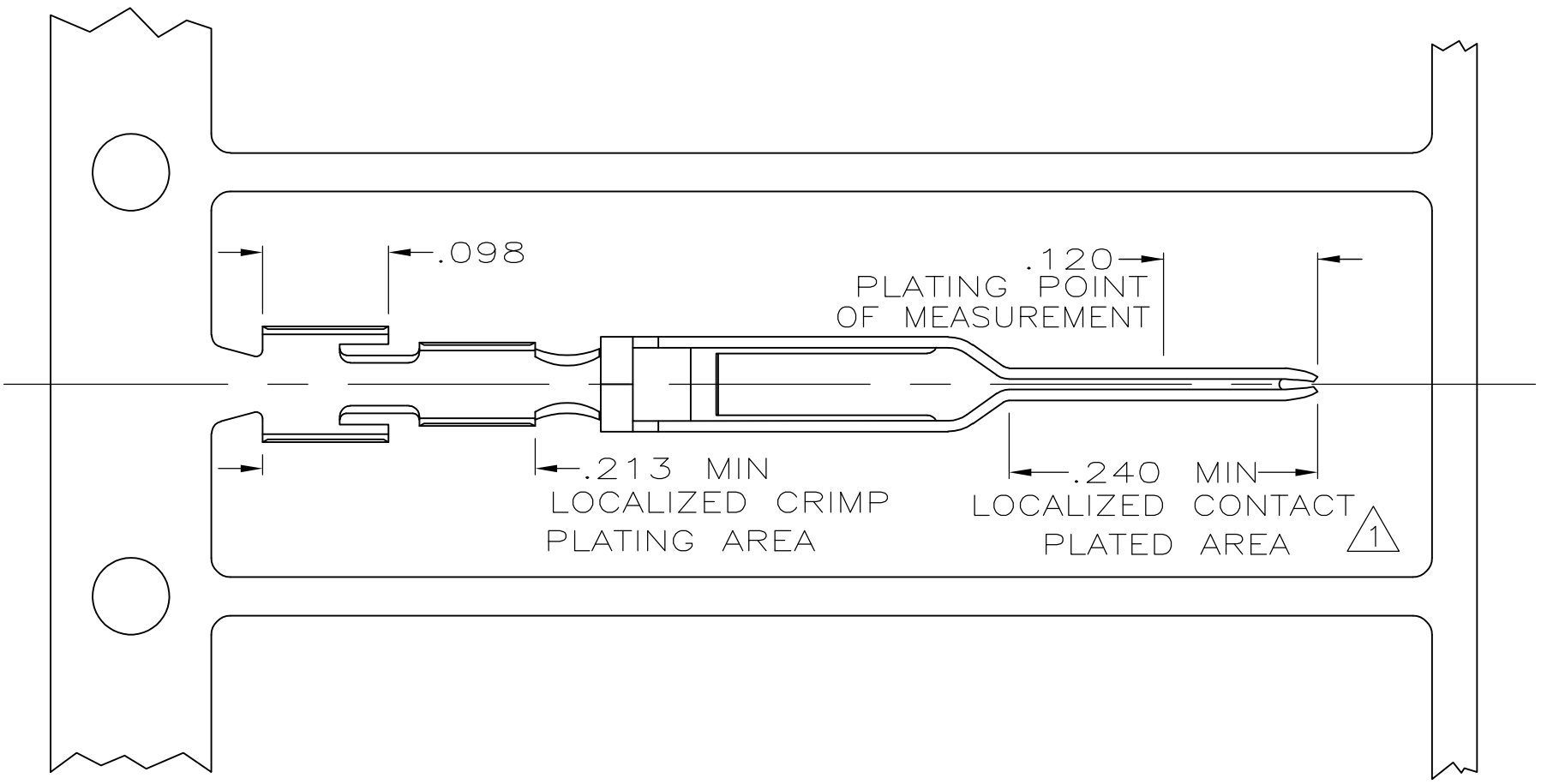


THIS DRAWING IS UNPUBLISHED. RELEASED FOR PUBLICATION
 © COPYRIGHT BY TYCO ELECTRONICS CORPORATION. ALL INTERNATIONAL RIGHTS RESERVED.

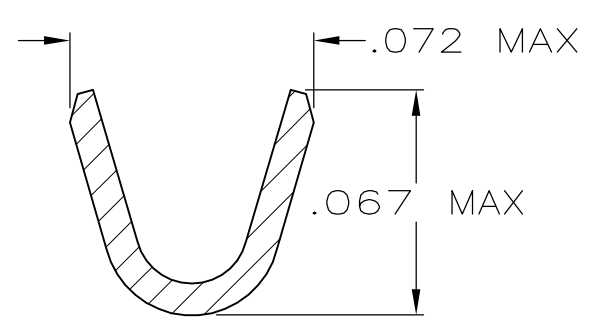
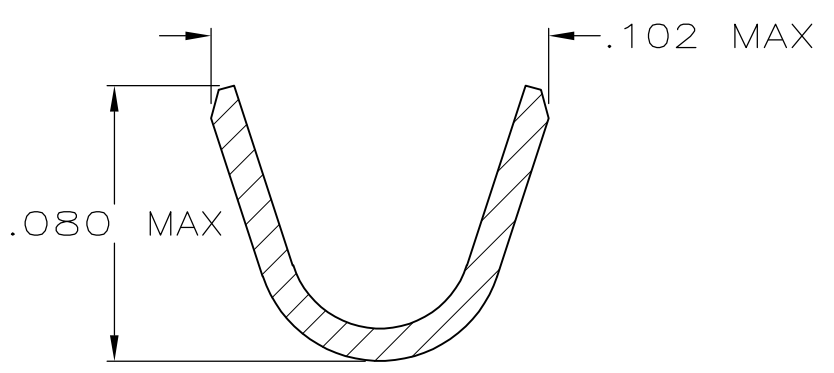
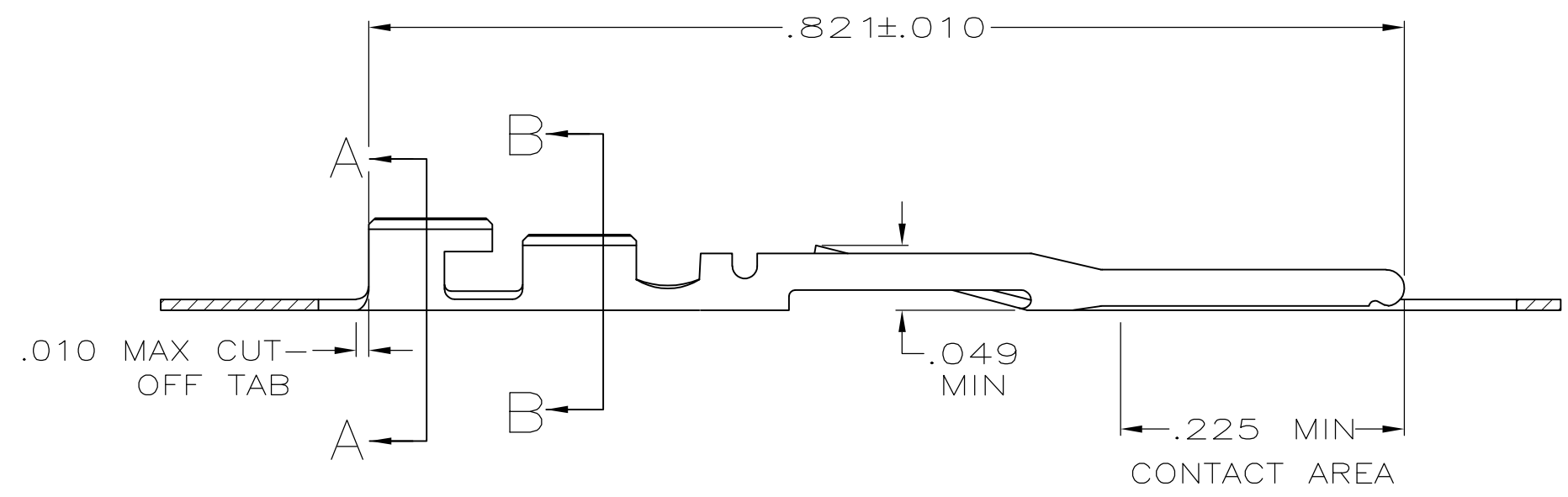
LOC	DIST	REVISIONS			
P	LTR	DESCRIPTION	DATE	DWN	APVD
GP	00	S	REV PER ECO-09-016698	11SEP2009	CR CR



1 FINISH: .000100 MIN THK BRIGHT TIN-LEAD IN LOCALIZED CRIMP PLATING AREA AND .000015 THK GOLD IN LOCALIZED CONTACT PLATING AREA OVER .000050 MIN THK NICKEL ON ENTIRE CONTACT.
 -OR-
 .000100 MIN THK BRIGHT TIN-LEAD IN LOCALIZED CRIMP PLATING AREA, GOLD FLASH OVER PALLADIUM-NICKEL, .000015 MIN TOTAL THK IN LOCALIZED CONTACT PLATING AREA, BOTH OVER .000050 MIN THK NICKEL ON ENTIRE CONTACT.

2. FOR 22-24 AWG WIRE WITH AN INSULATION RANGE OF .040-.056 DIA.

3 FINISH: .000100 MIN THK TIN IN LOCALIZED CRIMP PLATING AREA AND .000015 THK GOLD IN LOCALIZED CONTACT PLATING AREA OVER .000050 MIN THK NICKEL ON ENTIRE CONTACT.
 -OR-
 .000100 MIN THK TIN IN LOCALIZED CRIMP PLATING AREA, GOLD FLASH OVER PALLADIUM-NICKEL, .000015 MIN TOTAL THK IN LOCALIZED CONTACT PLATING AREA, BOTH OVER .000050 MIN THK NICKEL ON ENTIRE CONTACT.



OBSOLETE	3	494034-2	9-494033-0
	1	494034-1	494033-3
	1	494034-1	494033-2
FINISH		LOOSE PIECE PART NO	PART NO

THIS DRAWING IS A CONTROLLED DOCUMENT.		DWN J. GALLUCCI 27JUN1989	Tyco Electronics Corporation Harrisburg, PA 17105-3608	
DIMENSIONS: INCHES		CHK D.L. ROCKER 29JUN1989	NAME CONTACT, PIN, .025 SQ, ROUND WIRE, .100 CENTERLINE, FFC	
TOLERANCES UNLESS OTHERWISE SPECIFIED:		APVD C. D. MILLER 29JUN1989	PRODUCT SPEC 108-9024	
0 PLC ± -		APPLICATION SPEC 114-16003		
1 PLC ± -		SIZE A2 CAGE CODE 00779 C=494033		
2 PLC ± -		WEIGHT -		
3 PLC ± .005		CUSTOMER DRAWING		
4 PLC ± -		SCALE 8:1 SHEET 1 of 1 REV S		
ANGLES ± -				
FINISH SEE TABLE				