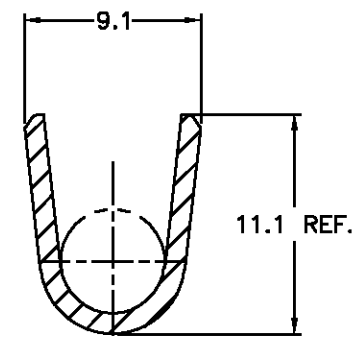
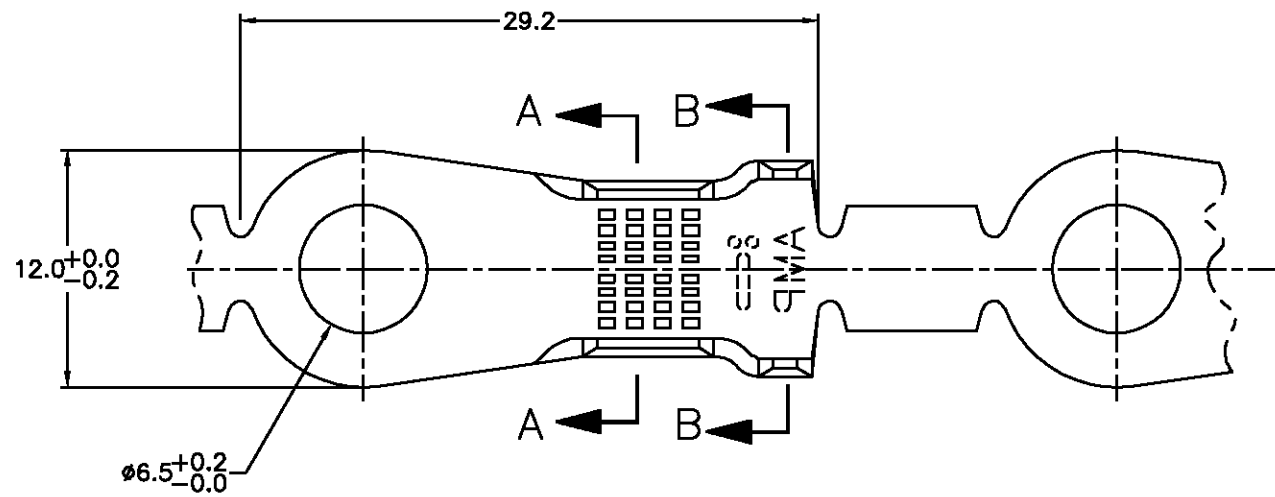


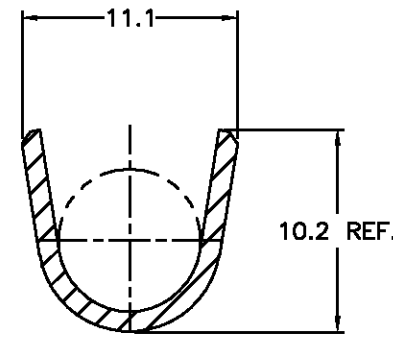
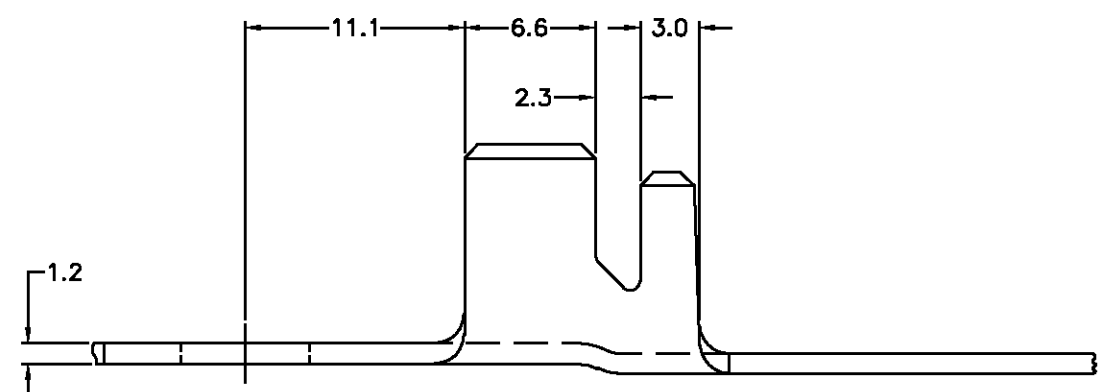
THIS DRAWING IS UNPUBLISHED. RELEASED FOR PUBLICATION .19
 © COPYRIGHT 19 BY AMP INCORPORATED. ALL RIGHTS RESERVED.

LOC	DIST	REVISIONS			
P	LTR	DESCRIPTION	DATE	DWN	APVD
AP	-	0	WAS 98-29253-001	-	FSM PLF
		A	CHANGE STATUS ECO-08-006615	12JUN08	NCL LWP

CAD
 AutoCAD
 DO NOT REVISE
 EXCEPT BY CAD



SECTION A-A



SECTION B-B

5.90 - 7.20 mm	10 - 16 mm ²	ESTANHADO/TIN PLATED	LATÃO/BRASS	493705-1
INS. DIA. RANGE	WIRE RANGE	FINISH	MATERIAL	PART NUMBER
THIS DRAWING IS A CONTROLLED DOCUMENT.		DWN F.S.MARTINS 25SEP98	AMP do BRASIL LTDA. São Paulo, Brasil	
DIMENSIONS: MM		CHK P.L.FARIA 05OCT98	NAME	
TOLERANCES UNLESS OTHERWISE SPECIFIED:		APVD P.R.SILVA 05OCT98	RING TONGUE	
0 PLC ± -		PRODUCT SPEC	-	
1 PLC ± -		APPLICATION SPEC	-	
2 PLC ± 0,3		WEIGHT	SIZE	CAGE CODE
3 PLC ± -		FINISH	A3	00779
4 PLC ± -		MATERIAL	DRAWING NO	
ANGLES ± -		SEE TABLE	C-493705	
MATERIAL		SEE TABLE	RESTRICTED TO	
CUSTOMER DRAWING		SCALE 1:1		SHEET 1 OF 1
		REV A		