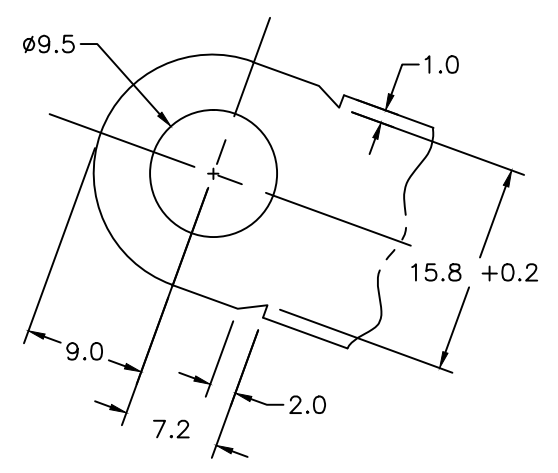
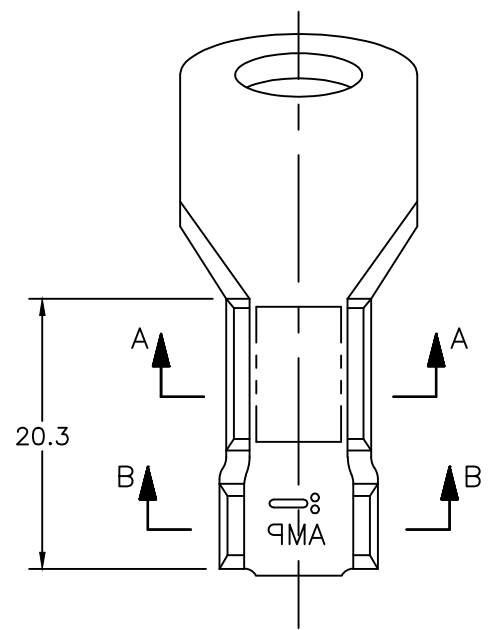
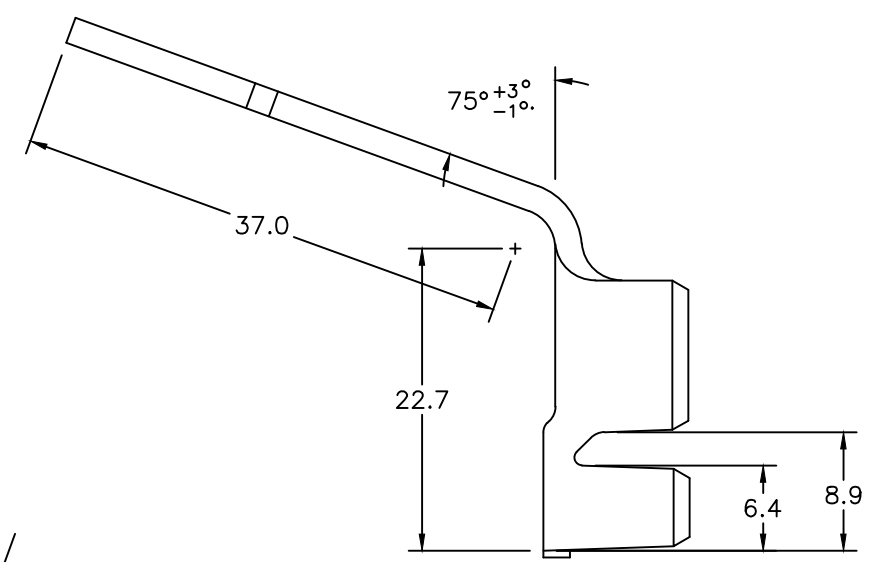
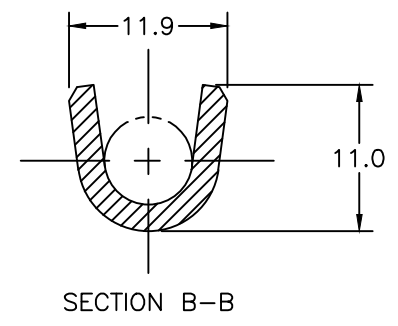
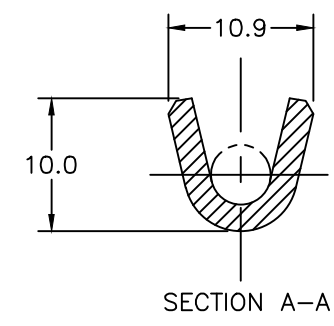
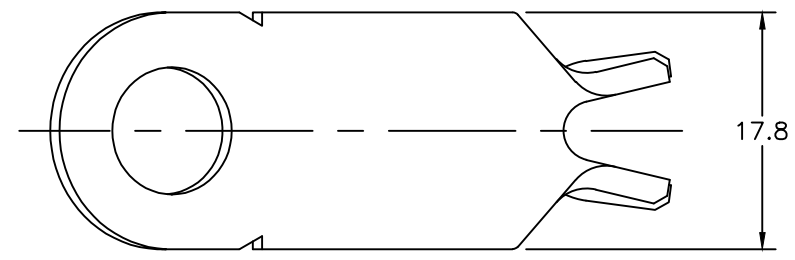


THIS DRAWING IS UNPUBLISHED. RELEASED FOR PUBLICATION
 © COPYRIGHT - By - ALL RIGHTS RESERVED.

CAD
 AutoCAD
 DO NOT REVISE
 EXCEPT BY CAD

| LOC | DIST | REVISIONS | | | |
|-----|------|-----------------|---------------|-----------|--------|
| P | LTR | DESCRIPTION | DATE | DWN | APVD |
| AP | - | REVISED DRAWING | ECO-14-013533 | 10SEP2014 | NCL CS |



△1 - MATERIAL ALTERNATIVO LATÃO 100-86 H04
 △1 - ALTERNATIVE MATERIAL BRASS 100-86 H04

| | | | | | | |
|-------------------------------|------|---------------------|---------|----------------------|------------------------------|-------------|
| WIRE RANGE (mm ²) | 10,0 | INSUL. RANGE (Ø mm) | 6,4-7,2 | ESTANHADO/TIN PLATED | LATÃO/BRASS 100-1512 H04S △1 | 493621-1 |
| WDW | 25,0 | IDW | 26,0 | FINISH | MATERIAL | PART NUMBER |

| | | | | | | | | | | | | | | | |
|--|-----------|--------------|-----------|------------------|---|---|----|-----------|-------|------------|----------|---------------|--------|-----|---|
| THIS DRAWING IS A CONTROLLED DOCUMENT. | | DWN | A.PERUSSI | 04FEB00 | | TE Connectivity NAME TERMINAL, RING TONGUE | | | | | | | | | |
| DIMENSIONS: mm | | CHK | P.L.FARIA | 04FEB00 | | | | | | | | | | | |
| TOLERANCES UNLESS OTHERWISE SPECIFIED: | | APVD | L.G.DALTO | 04FEB00 | | | | | | | | | | | |
| 0 PLC ± - 1 PLC ± 0,2 2 PLC ± - 3 PLC ± - 4 PLC ± - ANGLES ± 1° | | PRODUCT SPEC | - | APPLICATION SPEC | | | - | | | | | | | | |
| MATERIAL | SEE TABLE | FINISH | SEE TABLE | WEIGHT | - | SIZE | A3 | CAGE CODE | 00779 | DRAWING NO | ©=493621 | RESTRICTED TO | - | | |
| CUSTOMER DRAWING | | | | | | | | | | SCALE | 2:1 | SHEET | 1 of 1 | REV | A |