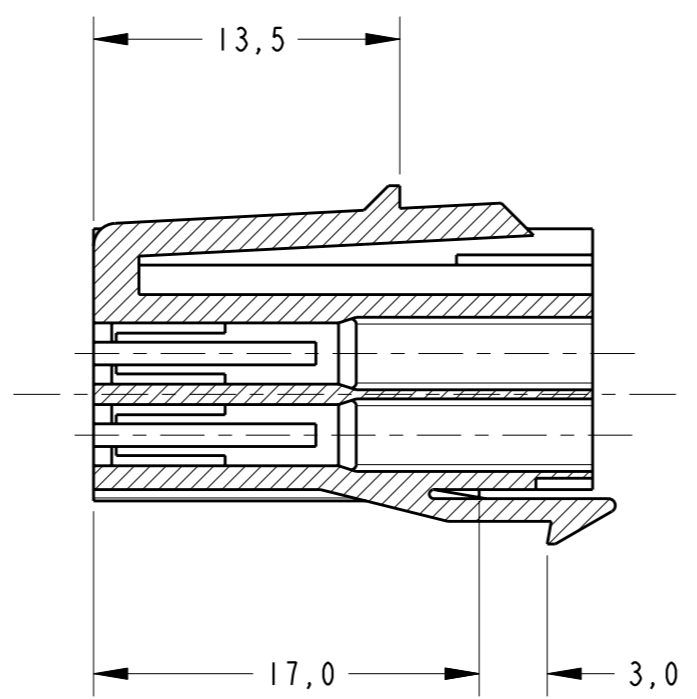
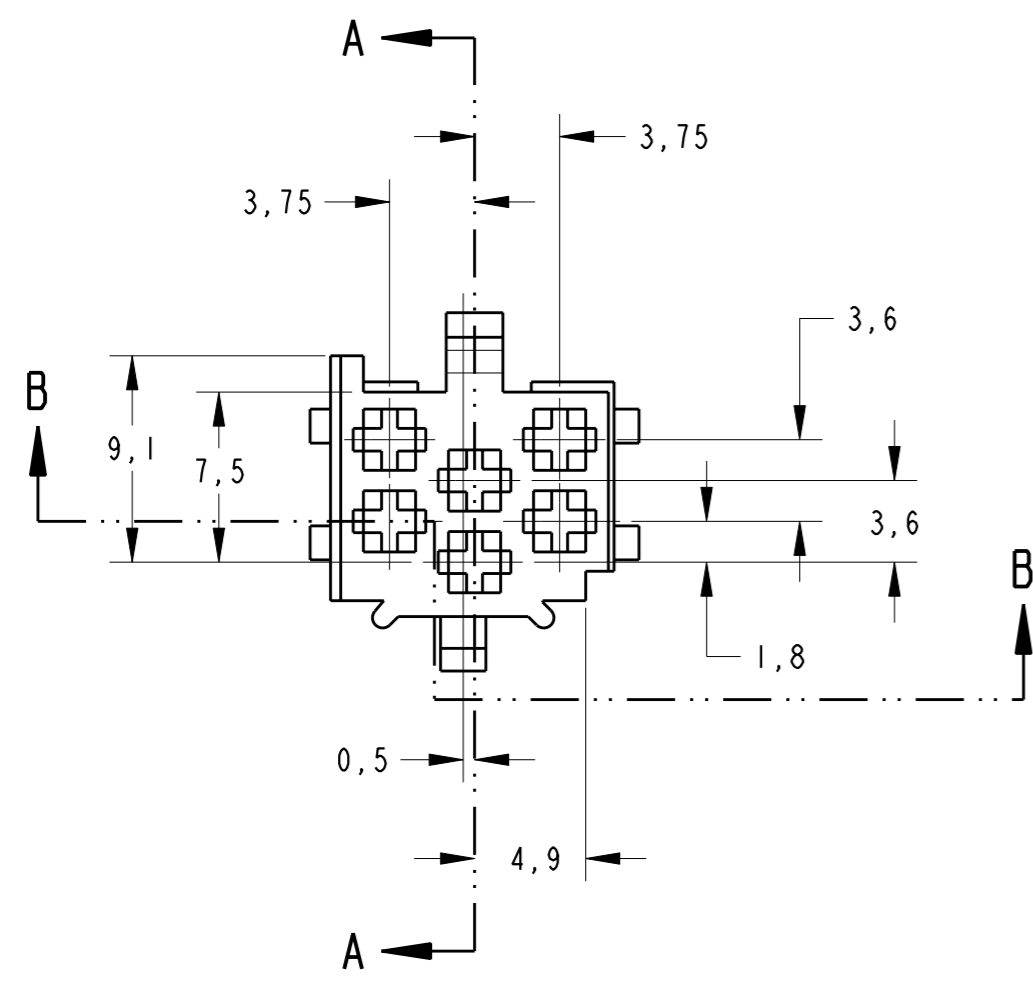
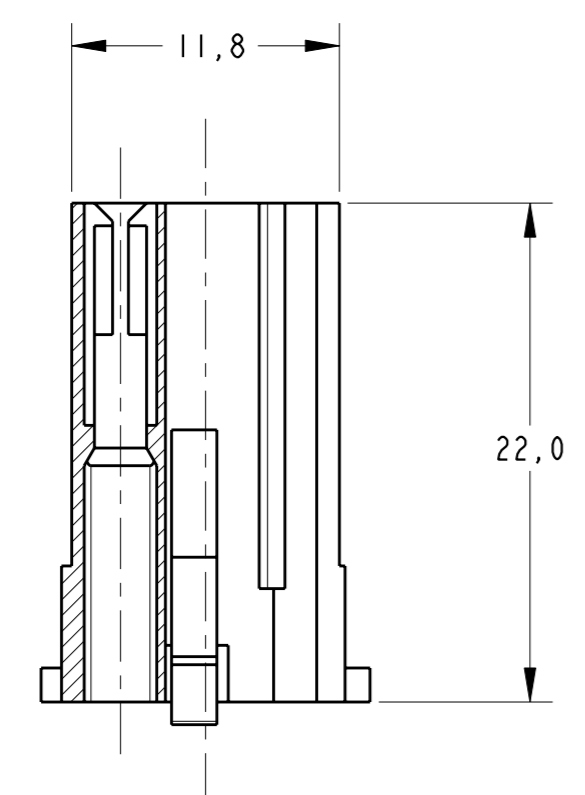
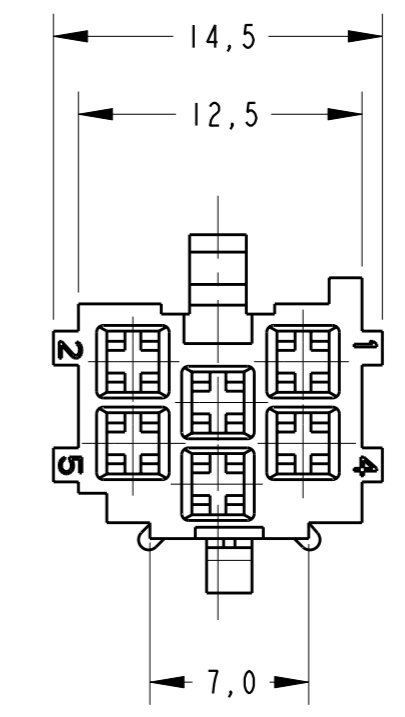


THIS DRAWING IS UNPUBLISHED. RELEASED FOR PUBLICATION
 © COPYRIGHT 20 ALL RIGHTS RESERVED.

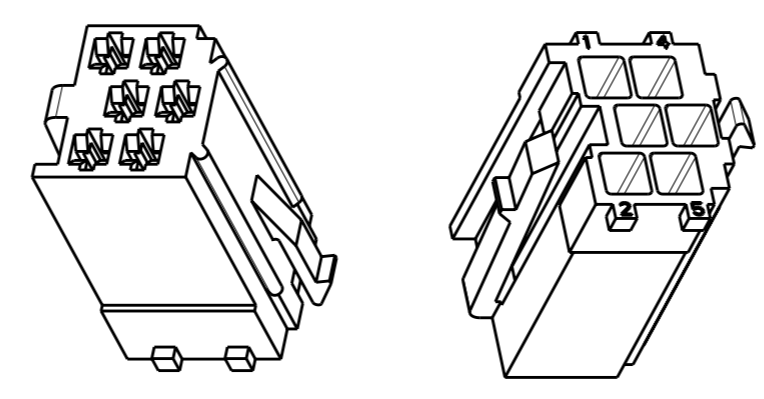
LOC		DIST		REVISIONS			
P	LTR	DESCRIPTION	DATE	DWN	APVD		
AP	-	C	CHANGE STATUS ECO-11-009151	19MAY2011	NCL	MG	



SECTION A-A



SECTION B-B



PERSPECTIVE VIEW
SCALE 2:1

GRAVAÇÃO
MARKING
NOMENCLATURA MATERIAL
MATERIAL NOMENCLATURE
NÚMERO CAVIDADE
CAVITY NUMBER
IDENTIFICAÇÃO CIRCUITO
CIRCUIT IDENTIFICATION
REV+ LETRA REV.DA PEÇA
REV.+ PART REV.LETTER

RAW MAT'L NO	AMARELO / YELLOW	PBT	493576-2																																				
FINISH		MATERIAL	PART NUMBER																																				
THIS DRAWING IS A CONTROLLED DOCUMENT.		<table border="1"> <tr><td>DWN</td><td>N.C.LAPRESA</td><td>15SEP99</td></tr> <tr><td>CHK</td><td>P.L.FARIA</td><td>15SEP99</td></tr> <tr><td>APVD</td><td>P.R.SILVA</td><td>15SEP99</td></tr> </table>		DWN	N.C.LAPRESA	15SEP99	CHK	P.L.FARIA	15SEP99	APVD	P.R.SILVA	15SEP99																											
DWN	N.C.LAPRESA	15SEP99																																					
CHK	P.L.FARIA	15SEP99																																					
APVD	P.R.SILVA	15SEP99																																					
<table border="1"> <tr><td colspan="2">DIMENSIONS:</td></tr> <tr><td>mm</td><td></td></tr> <tr><td colspan="2">TOLERANCES UNLESS OTHERWISE SPECIFIED:</td></tr> <tr><td>0 PLC</td><td>±</td></tr> <tr><td>1 PLC</td><td>±0.3</td></tr> <tr><td>2 PLC</td><td>±0.2</td></tr> <tr><td>3 PLC</td><td>±</td></tr> <tr><td>4 PLC</td><td>±</td></tr> <tr><td>ANGLES</td><td>±1°</td></tr> <tr><td>FINISH</td><td></td></tr> </table>		DIMENSIONS:		mm		TOLERANCES UNLESS OTHERWISE SPECIFIED:		0 PLC	±	1 PLC	±0.3	2 PLC	±0.2	3 PLC	±	4 PLC	±	ANGLES	±1°	FINISH		<table border="1"> <tr><td>NAME</td><td colspan="3">-</td></tr> <tr><td>PRODUCT SPEC</td><td colspan="3">-</td></tr> <tr><td>APPLICATION SPEC</td><td colspan="3">-</td></tr> <tr><td>WEIGHT</td><td colspan="3">-</td></tr> </table>		NAME	-			PRODUCT SPEC	-			APPLICATION SPEC	-			WEIGHT	-		
DIMENSIONS:																																							
mm																																							
TOLERANCES UNLESS OTHERWISE SPECIFIED:																																							
0 PLC	±																																						
1 PLC	±0.3																																						
2 PLC	±0.2																																						
3 PLC	±																																						
4 PLC	±																																						
ANGLES	±1°																																						
FINISH																																							
NAME	-																																						
PRODUCT SPEC	-																																						
APPLICATION SPEC	-																																						
WEIGHT	-																																						
SEE TABLE		SEE TABLE																																					
CUSTOMER DRAWING		<table border="1"> <tr><td>SIZE</td><td>A2</td><td>CAGE CODE</td><td>00779</td><td>DRAWING NO</td><td>C-493576</td><td>RESTRICTED TO</td><td>-</td></tr> <tr><td>SCALE</td><td>3:1</td><td>SHEET</td><td>1</td><td>OF</td><td>1</td><td>REV</td><td>C</td></tr> </table>		SIZE	A2	CAGE CODE	00779	DRAWING NO	C-493576	RESTRICTED TO	-	SCALE	3:1	SHEET	1	OF	1	REV	C																				
SIZE	A2	CAGE CODE	00779	DRAWING NO	C-493576	RESTRICTED TO	-																																
SCALE	3:1	SHEET	1	OF	1	REV	C																																