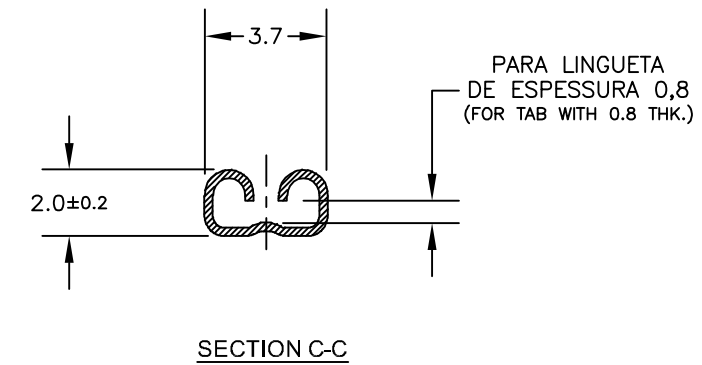
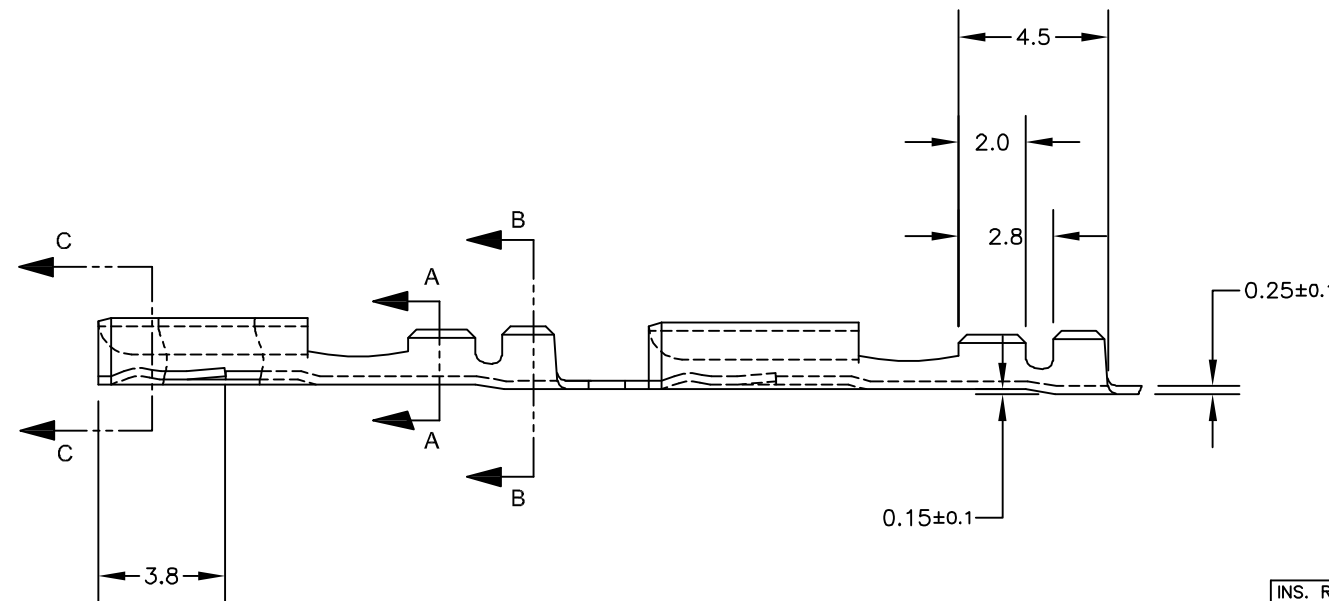
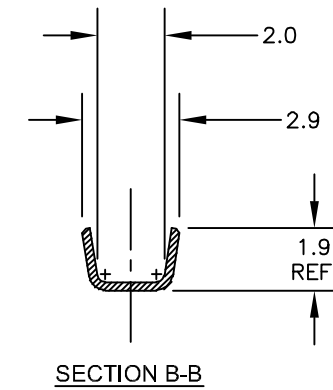
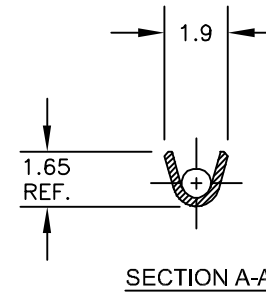
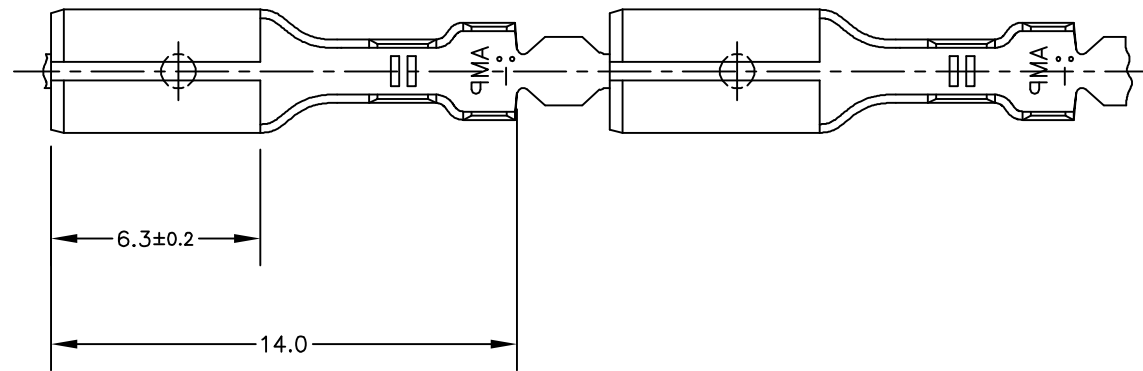




LOC AP	DIST -	REVISIONS			DATE DATA	DWN DES	APVD APR
		P	LTR LT	DESCRIPTION DESRIGCO			
		B		REVISED DESIGN ECO-11-024642	09DEC11	NCL	GO



INS. RANGE 1,02 - 2,03 mm	WIRE RANGE 0,15 - 0,32 mm ²	ESTANHADO / TIN PLATED ---	LATÃO / BRASS ---	493249-2
		FINISH	MATERIAL	PART NUMBER
			LATÃO / BRASS	493249-1

THIS DRAWING IS A CONTROLLED DOCUMENT.

DIMENSIONS: DIMENSÕES mm	TOLERANCES UNLESS OTHERWISE SPECIFIED: TOLERÂNCIA NCO ESPECIFICADAS
	0 PLC/DEC ± - 1 PLC/DEC ± 0,3 2 PLC/DEC ± - 3 PLC/DEC ± - 4 PLC/DEC ± - ANGLES/ANGULARES ±

MATERIAL SEE TABLE	FINISH ACABAMENTO SEE TABLE
-----------------------	-----------------------------------

DWN/DES A.PERUSSI	02MAY2002
CHK/CH P.L.FARIA	02MAY2002
APVD/APR L.W.PRADO	02MAY2002
PRODUCT SPEC	108-37014
APPLICATION SPEC	114-2036
WEIGHT	-

NAME DESRIGCO		TE Connectivity	
.110 SERIES FASTON RECEPTACLE			

SIZE A3	CAGE CODE 00779	DRAWING NO DESENHO NO C-493249	RESTRICTED TO -/-
------------	--------------------	--------------------------------------	----------------------

CUSTOMER DRAWING/DESENHO DE CLIENTE	SCALE ESCALA 5:1	SHEET FOLHA 1 DE 1	REV B
-------------------------------------	---------------------	-----------------------	----------