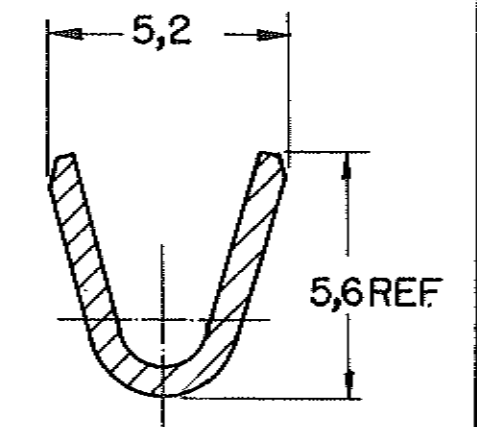
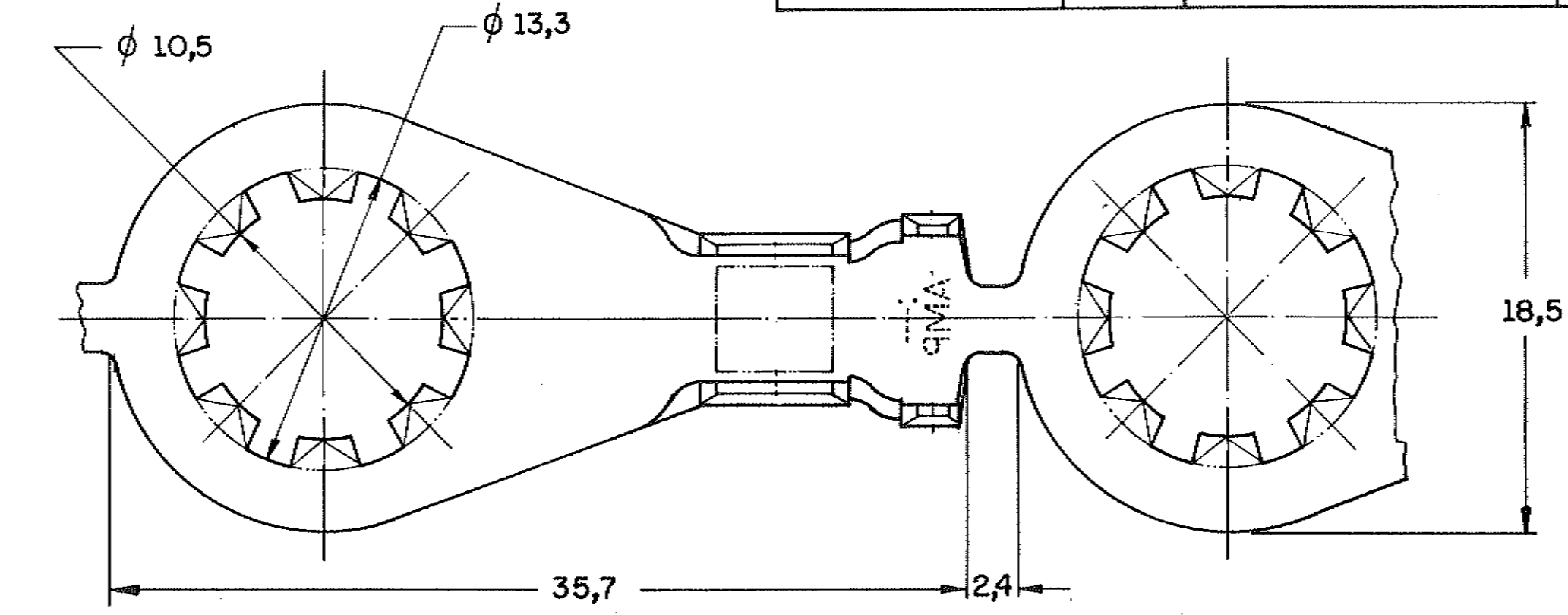
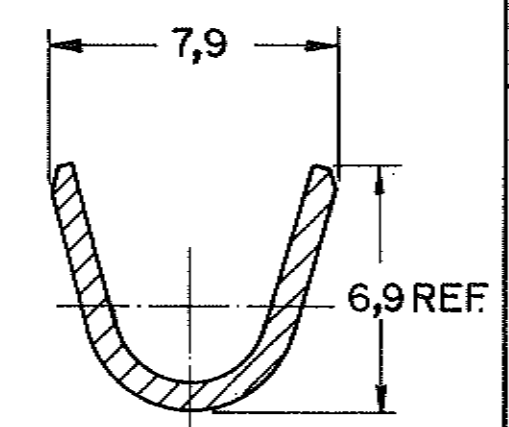
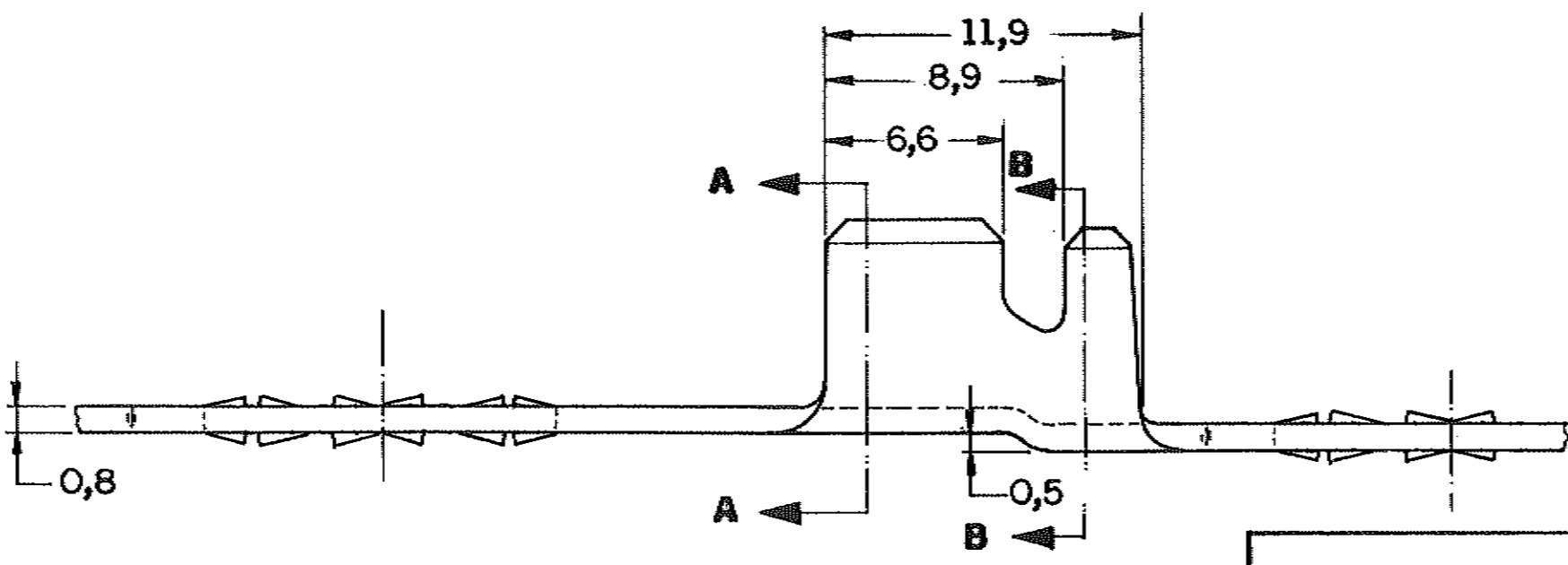


C 493225 1 of 1

DWG NO.		DO NOT SCALE		METRIC		3rd ANGLE PROJECTION	
		DIMENSIONS IN mm.					
REQ. PER ASSY	ITEM	DESCRIPTION		MATERIAL		FINISH	



CORTE A-A
SECTION



CORTE B-B
SECTION

ESTANHADO TIN PLATED		BRONZE PHOS.		4 9 3 2 2 5 - 1	
FINISH		MATERIAL		PART NUMBER	
CUSTOMER DWG for REFERENCE ONLY				THIS DRAWING IS UNPUBLISHED RELEASED FOR PUBLICATION	
				© COPYRIGHT 19 BY AMP DO BRASIL LTDA S.P. ALL INTERNATIONAL RIGHTS RESERVED AMP PRODUCTS MAY BE COVERED BY U.S. AND FOREIGN PATENTS AND/OR PATENTS PENDING.	
TOLERANCES UNLESS OTHERWISE STATED DEC. ± 0,3 ANGLES ± 1°		INS. DIA. RANGE 3,5-5,0 mm	WIRE RANGE 3,0-6,0mm	SCALE 2	
DR. D.A. Rocha 07-Aug-97				Tyco Electronics TYCO ELECTRONICS Brasil LTDA Sao Paulo, Brasil	
CHK. PL. FARIA 11-AUG-97				DESCRIPTION RING TONGUE	
DE Demello 12-AUG-97				ANTIROTATIONAL M10	
O WAS 96-67146-003 DAR 11-AUG-97				JOSE DE MELLO M. NETO	
ISS REVISION RECORD ECN DR/CHK DATE				APP. 12 AUG 97	
				H.B. VASCONCELOS	
A3		DWG NO. C 493225		SHEET 1 of 1	