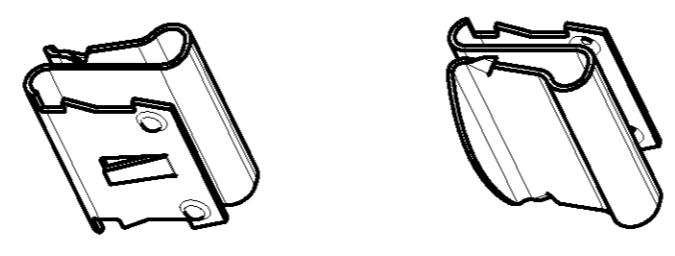
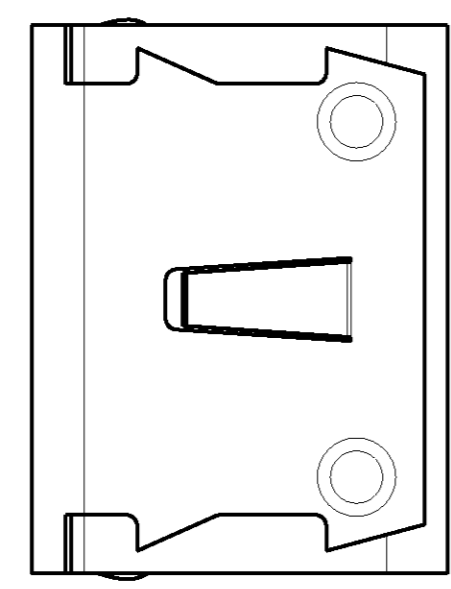
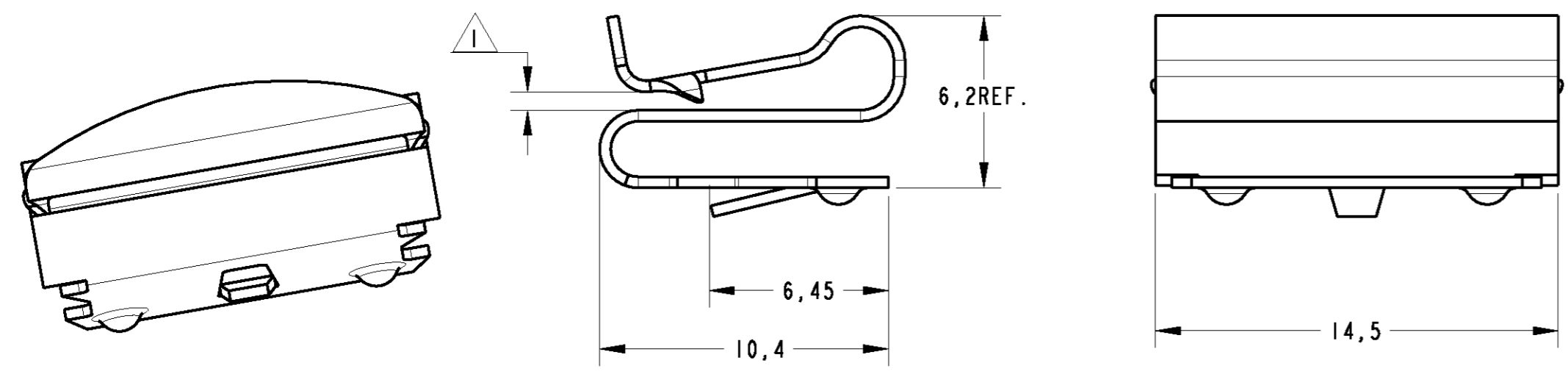
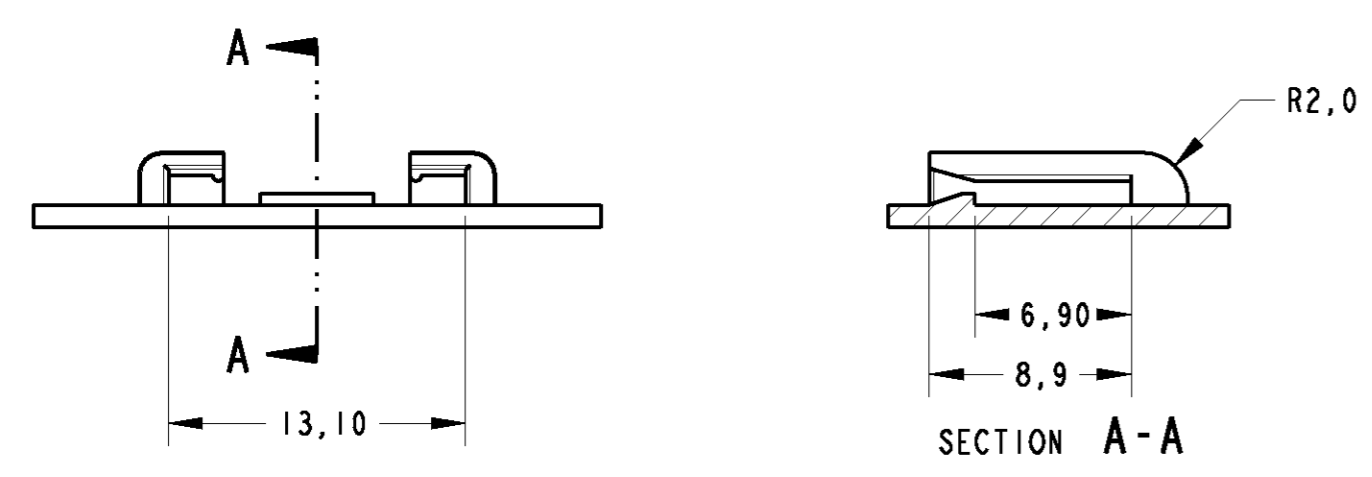


THIS DRAWING IS UNPUBLISHED. RELEASED FOR PUBLICATION .19
 © COPYRIGHT 19 BY AMP INCORPORATED. ALL RIGHTS RESERVED.

LOC		DIST		REVISIONS			
P	LTR	DESCRIPTION	DATE	DBN	APVD		
	0	ERA 96-67109-001		MLO	JRG		
	A	REVISED BY ECO-06-015538	26JUL2006	RKTL	PLF		



PERSPECTIVE VIEW
SCALE 2:1



DETALHE DO ALOJAMENTO NO CONECTOR (174940 OU SIMILAR)
CONNECTOR LODGING DETAIL (174940 OR SIMILAR)

△ - PARA CHAPA PLASTICA DE ESPESSURA 1,5
- FOR PLASTIC PLATE 1.5 THICKNESS

CAD
DO NOT REVISE
EXCEPT BY CAD

		ZINCADO NEGRO(BLACK ZINC PLATE)	AÇO(STEEL)SAE 1070	493136-1
		FINISH	MATERIAL	PART NUMBER
<small>THIS DRAWING IS A CONTROLLED DOCUMENT FOR AMP INCORPORATED. IT IS SUBJECT TO CHANGE AND THE CONTROLLING ENGINEERING ORGANIZATION SHOULD BE CONTACTED FOR THE LATEST REVISION.</small>		DWN 24-MAR-97 M.L. OGAWA	AMP AMP do BRASIL LTDA. São Paulo, Brasil	
DIMENSIONS: mm		CHK J.GOLDSCHIMDT	NAME	
TOLERANCES UNLESS OTHERWISE SPECIFIED: 0 PLC ± 1 PLC ±0,3 2 PLC ±0,2 3 PLC ± 4 PLC ± ANGLES ± FINISH -		APVD H.VASCONCELLOS	CLIP	
MATERIAL SEE TABLE		PRODUCT SPEC -	SIZE A2	CAGE CODE 00779
		APPLICATION SPEC -	DRAWING NO. 493136	SCALE 5:1
		WEIGHT -	SHEET 1	OF 1
		CUSTOMER DRAWING	REV A	