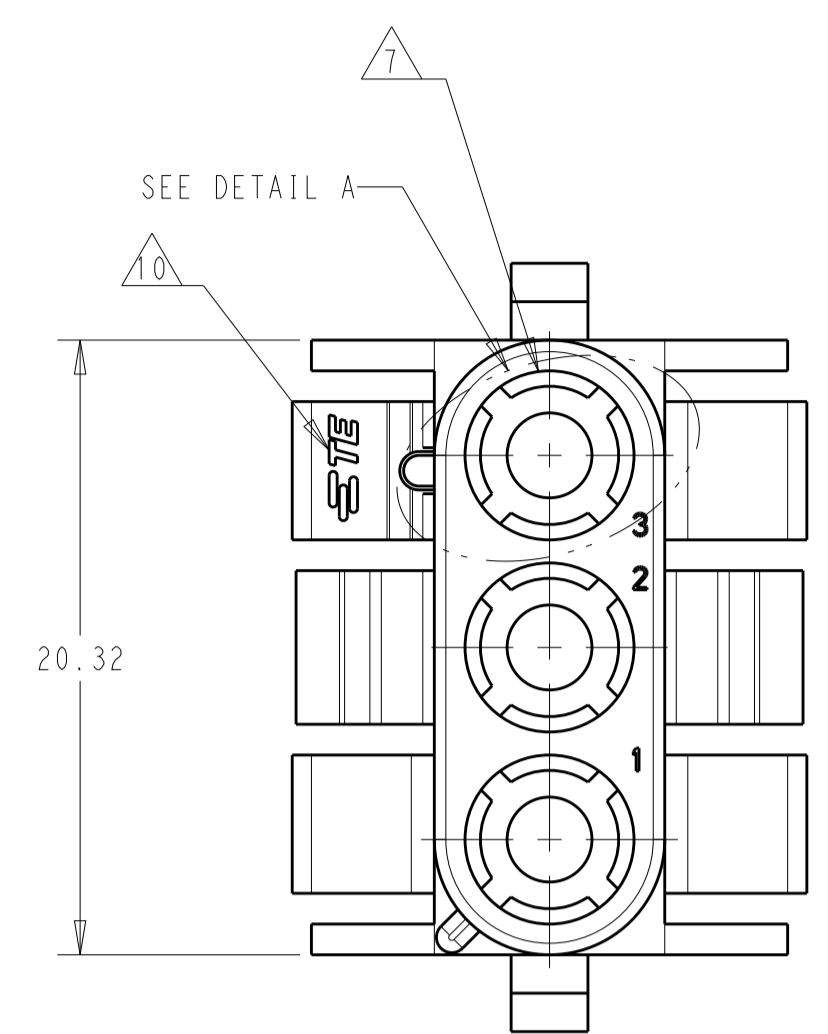
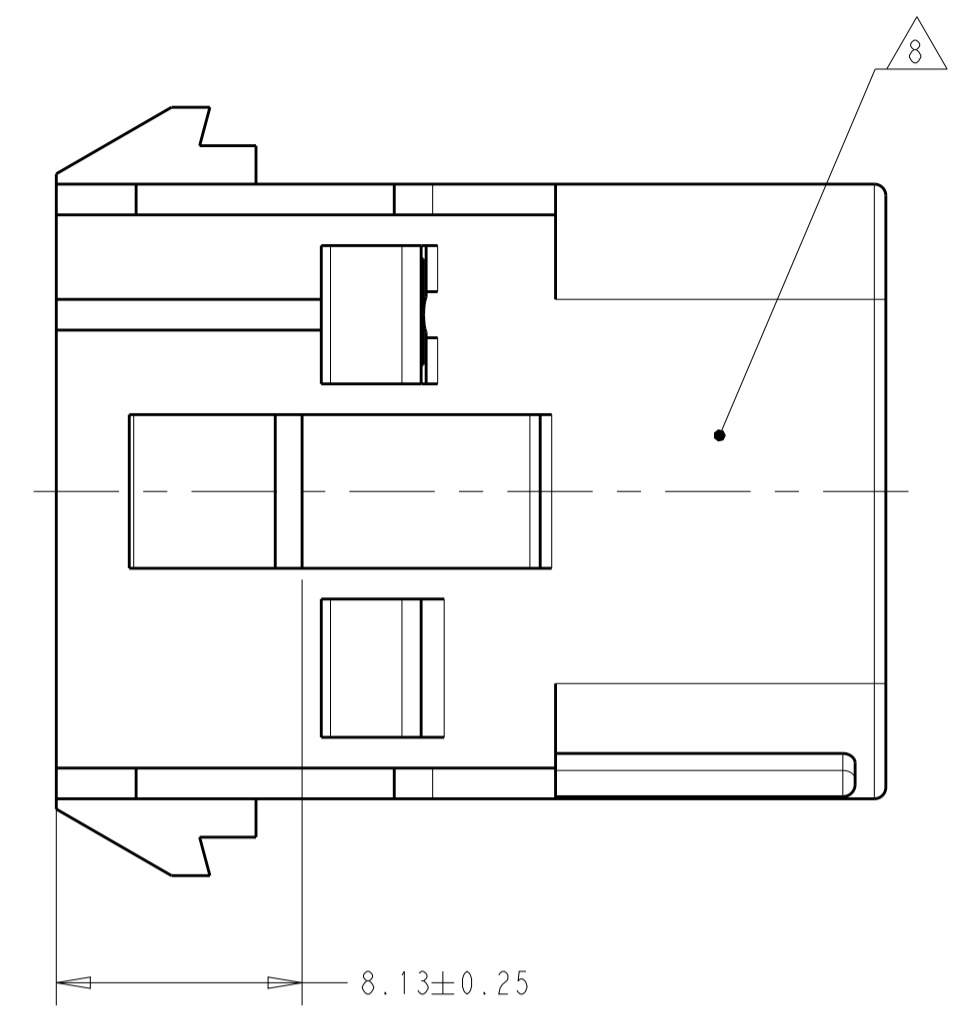
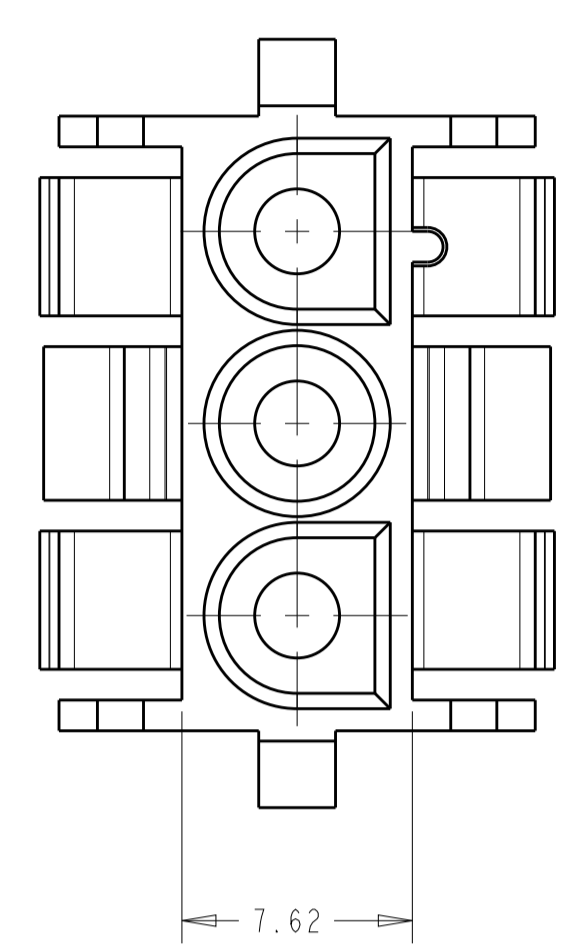
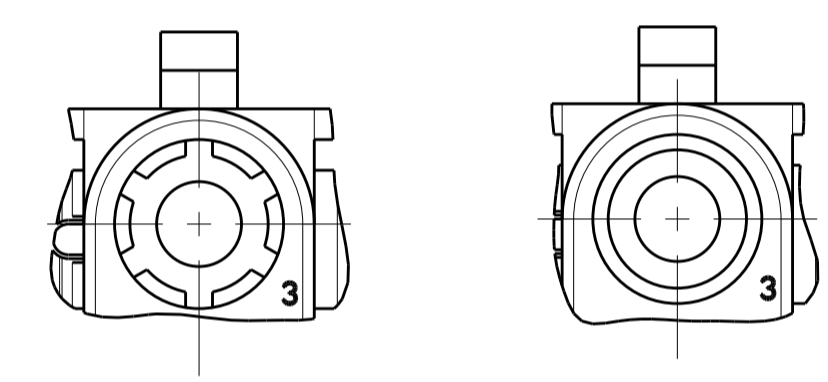


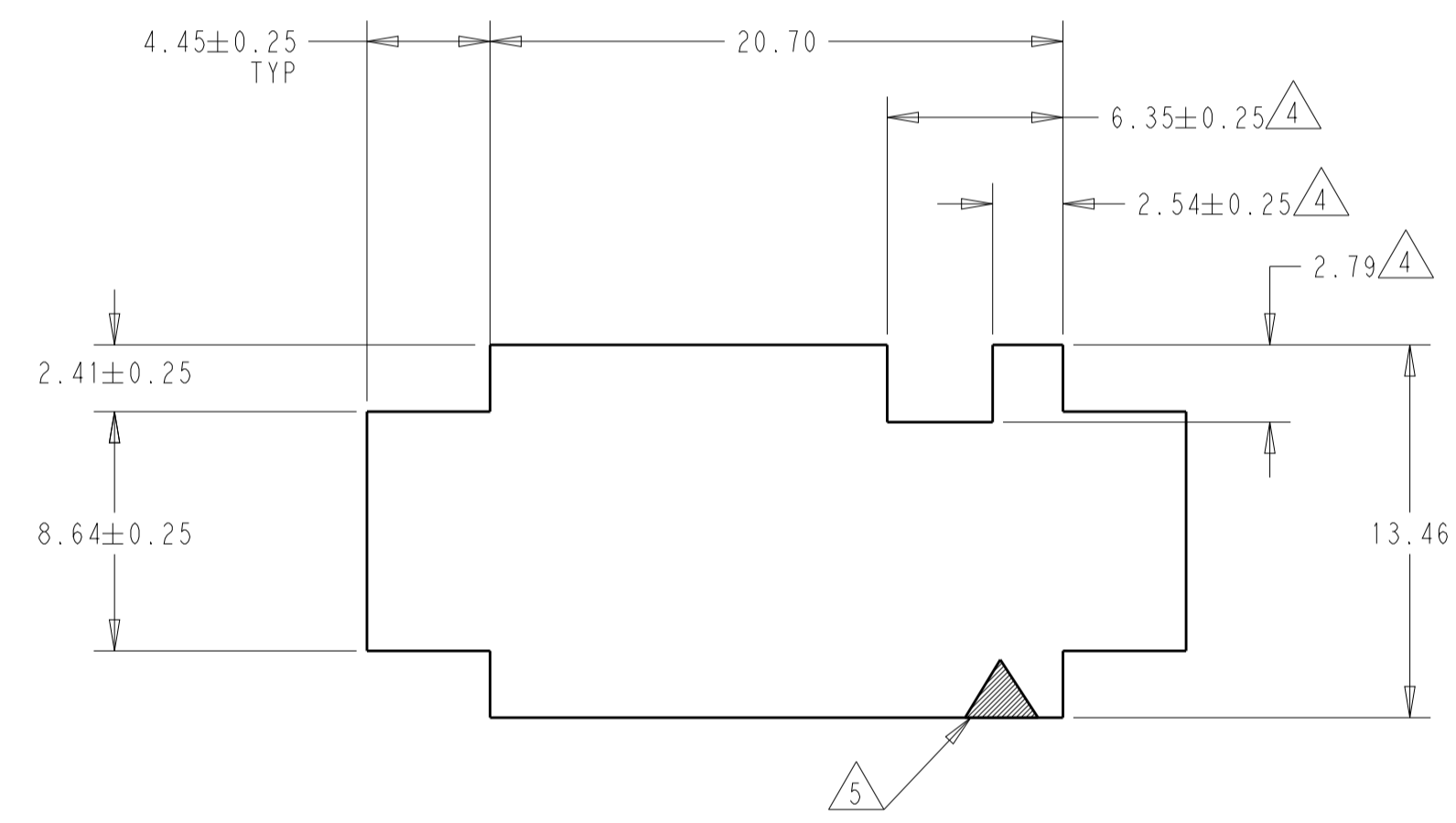
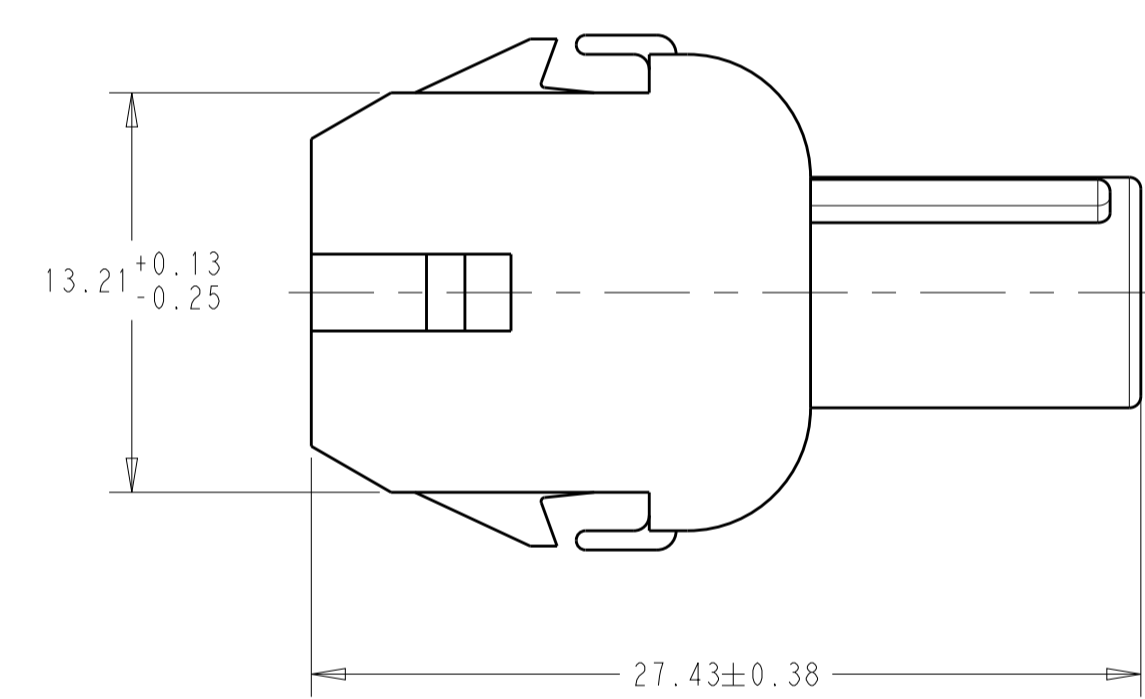
REVISIONS				
P	LTN	DESCRIPTION	DATE	APVD
AN5		REDRAWN PER ECO-19-005708	01MAY2019	BKW SF



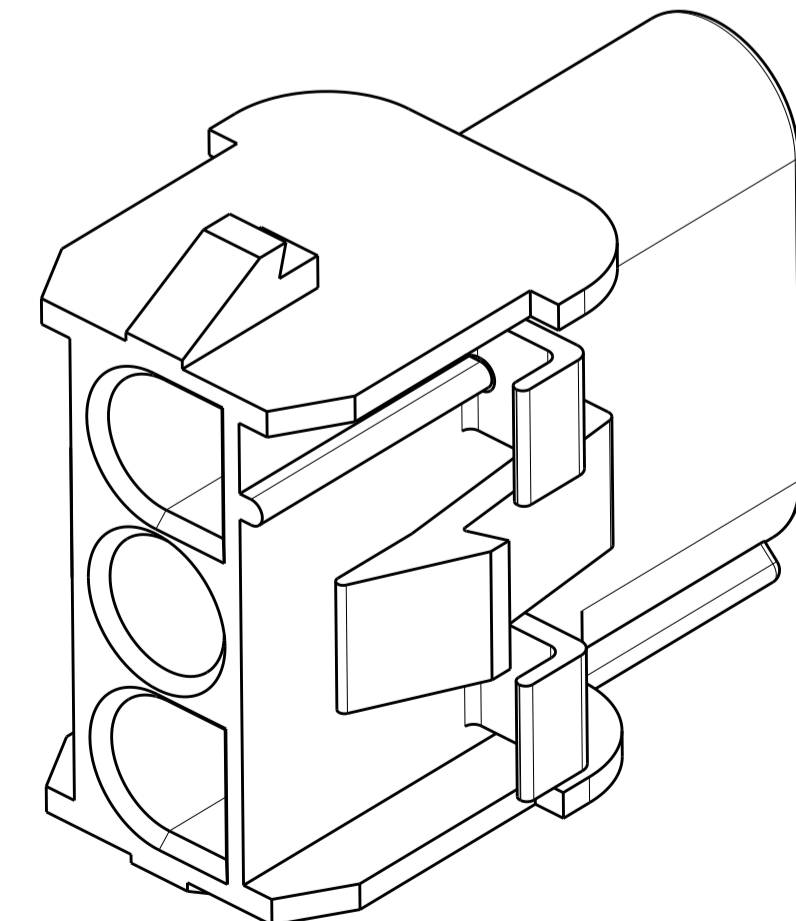
1. MATES WITH APPROPRIATE UNIVERSAL MATE-N-LOCK™ PLUG
2. RECOMMENDED PANEL THICKNESS 0.76 - 2.29.
3. PANEL MUST BE PUNCHED SO THAT THE HOUSING ENTERS THE PANEL IN THE SAME DIRECTION AS THE PUNCH.
4. OPTIONAL FOR KEYING HOUSING IN PANEL.
5. CIRCUIT NUMBER 1 LOCATION.
6. DIMENSIONS SHOWN REPRESENT PRODUCT IN DRY, AS MOLDED, CONDITION. ADDITIONAL 2% GROWTH DUE TO SUBSEQUENT MOISTURE ABSORPTION MAY OCCUR AND SHOULD BE ACCOUNTED FOR.
7. FOUR RIBS EQUALLY SPACED, NO SPECIFIC ORIENTATION. NO RIBS OR SIX RIBS EQUALLY SPACED, NO SPECIFIC ORIENTATION, OPTIONAL.
8. UNDERWRITERS RECOGNIZED COMPONENT LOGO AND CSA CERTIFICATION LOGO TO BE LOCATED ONCE EACH ON SIDE OF HOUSING.
9. OBSOLETE PARTS: OBSOLETE CIS STREAMLINING PER D.RENAUD/D.SINISI
10. TRADEMARK LOCATION: AMP OR TE



DETAIL A  
OPTIONAL CONSTRUCTIONS



RECOMMENDED PANEL CUT OUT

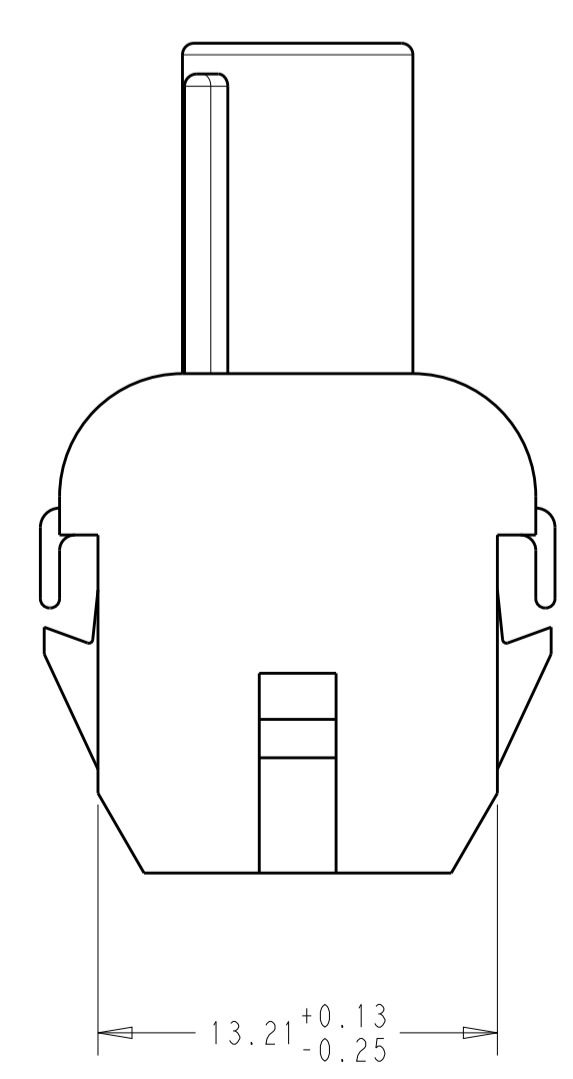
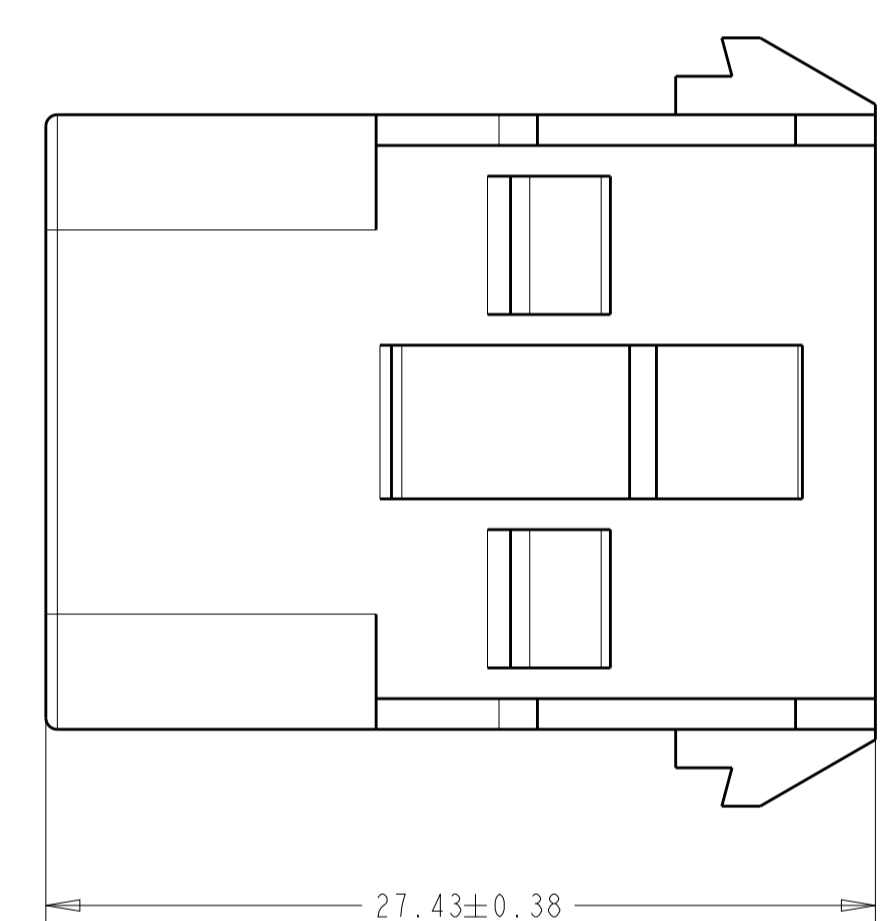
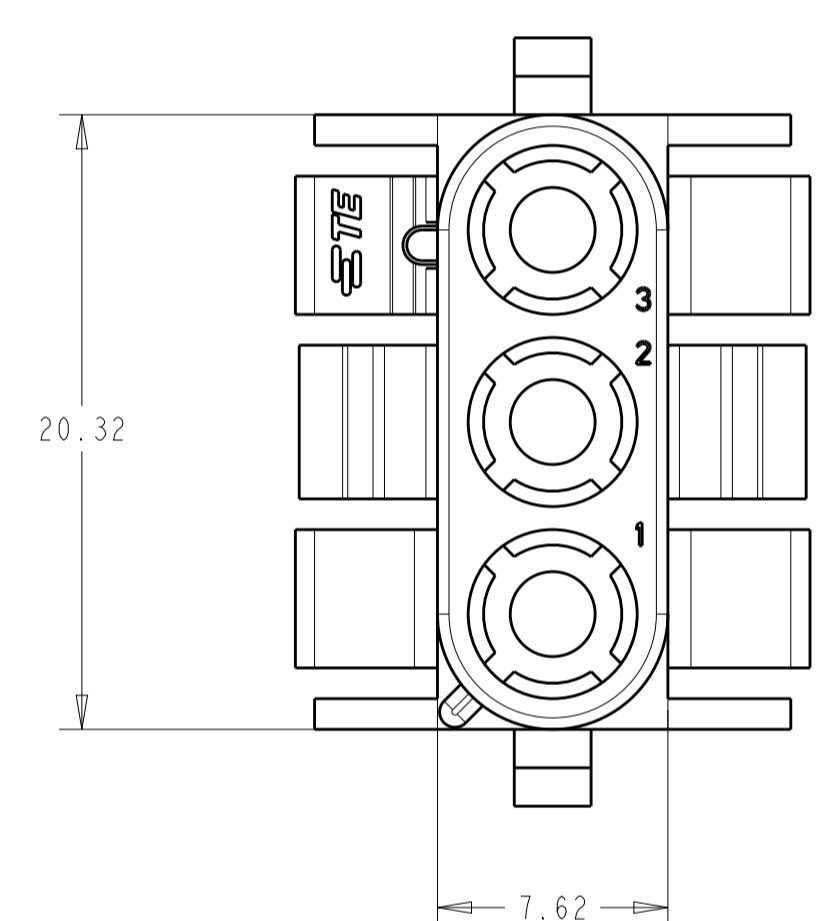
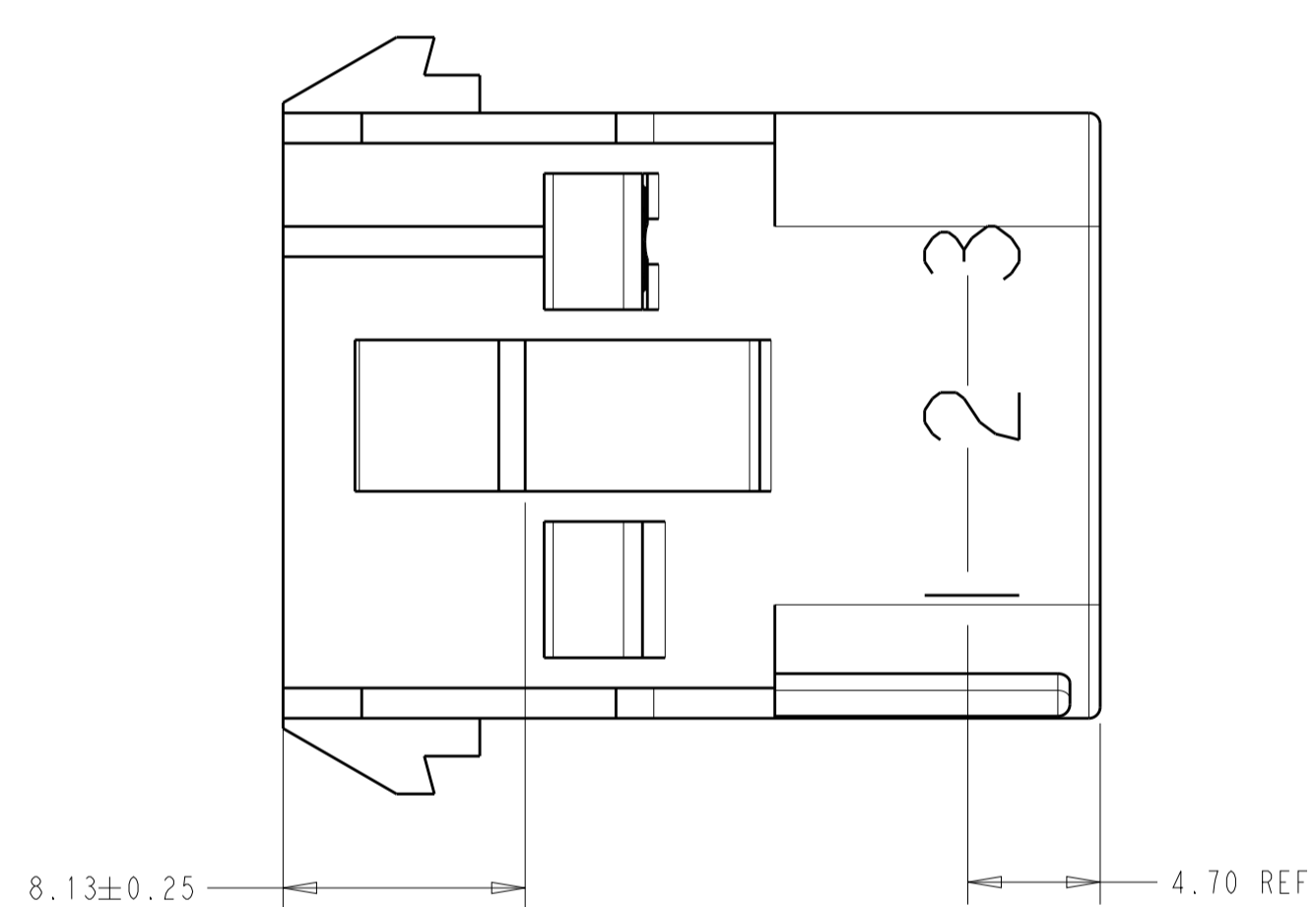
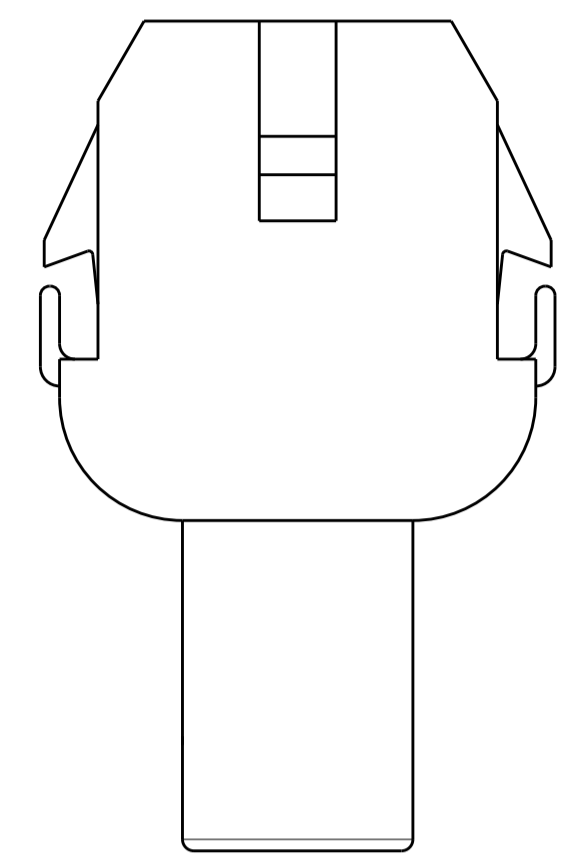


	BLACK	1-480701-9
	GRAY	1-480701-8
OBSOLETE	<del>VIOLET</del>	<del>1-480701-7</del>
	BLUE	1-480701-6
	GREEN	1-480701-5
	YELLOW	1-480701-4
OBSOLETE	<del>ORANGE</del>	<del>1-480701-3</del>
	RED	1-480701-2
	BROWN	1-480701-1
	NATURAL	1-480701-0
	COLOR	PART NUMBER

THIS DRAWING IS A CONTROLLED DOCUMENT.		DWN: B. WEAVER 01MAY2019 CHK: S. FERNANDES 01MAY2019 APVD: T. BENCHOFF 01MAY2019	<b>STE</b> TE Connectivity	
DIMENSIONS: mm TOLERANCES UNLESS OTHERWISE SPECIFIED: 0 PLC ± 1 PLC ± 2 PLC ± 3 PLC ±0.13 4 PLC ± ANGLES 40°/30°		NAME: CAP, 3 CIRCUIT, UNIVERSAL MATE-N-LOCK PRODUCT SPEC: APPLICATION SPEC: WEIGHT:	SIZE: A CAGE CODE: 00779 DRAWING NO: 480701	RESTRICTED TO:
MATERIAL: NYLON UL94V-2 FINISH:		CUSTOMER DRAWING		SCALE: 4:1 SHEET: 1 OF 2 REV: AN5

REVISIONS				
P.	LTN	DESCRIPTION	DATE	APVD
-	-	SEE SHEET 1	-	-

1. STAMP NUMBERS 3.18 HIGH AT WIRE END OF HOUSING (12 POINT DAVID TYPE).
2. CHARACTERS TO BE STAMPED ON HOUSING IN A MANNER AS TO BE READ FROM WIRE END ONLY.
3. VIOLET, BLACK, BROWN, AND BLUE COLORED BLOCKS TO BE STAMPED WITH WHITE CHARACTERS. ALL OTHER COLORED BLOCKS TO BE STAMPED WITH BLACK CHARACTERS.



NATURAL	2-480701-0
COLOR	PART NUMBER

THIS DRAWING IS A CONTROLLED DOCUMENT.		DWN B. WEAVER 01MAY2019	
DIMENSIONS: mm		CHK S. FERNANDES 01MAY2019	
TOLERANCES UNLESS OTHERWISE SPECIFIED:		APVD T. BENCHOFF 01MAY2019	NAME CAP, 3 CIRCUIT, UNIVERSAL MATE-N-LOK
0 PLC ±	1 PLC ±	PRODUCT SPEC	SIZE
2 PLC ±	3 PLC ±	APPLICATION SPEC	CAGE CODE
4 PLC ±	ANGLES ±	WEIGHT	DRAWING NO
FINISH ±	±0°30'	CUSTOMER DRAWING	RESTRICTED TO
MATERIAL NYLON UL94V-2			A   00779   480701
			SCALE 4:1 SHEET 2 OF 2 REV AN5