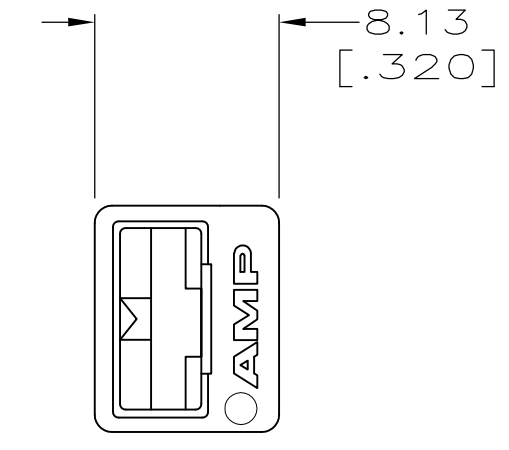
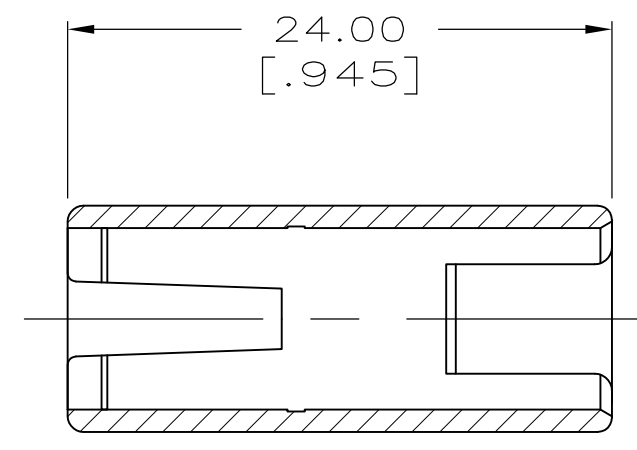
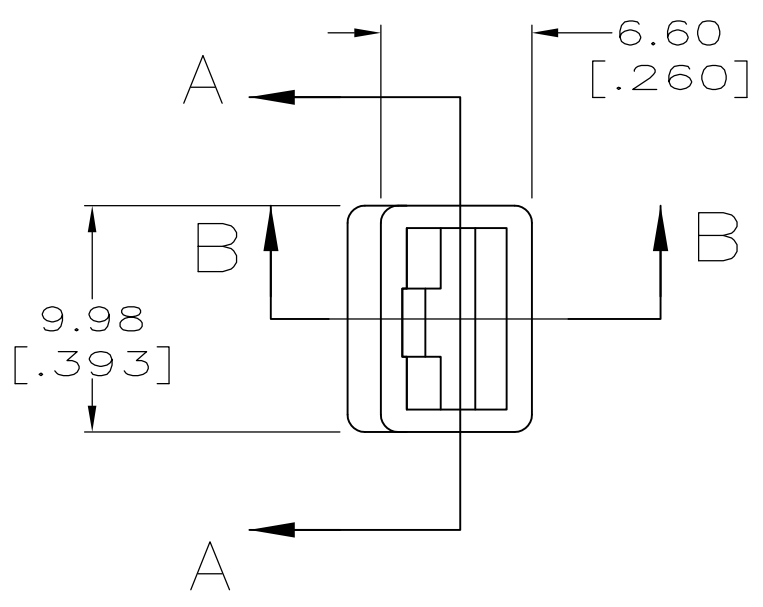
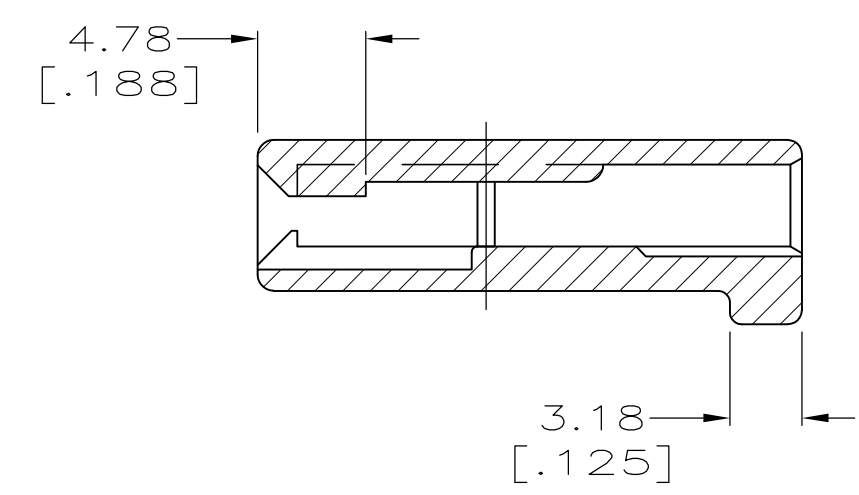


THIS DRAWING IS UNPUBLISHED. RELEASED FOR PUBLICATION
 © COPYRIGHT - By - ALL RIGHTS RESERVED.

LOC	DIST	REVISIONS			
P	LTR	DESCRIPTION	DATE	DWN	APVD
AF	50	U2	REVISED PER ECR-19-008977	18JUL2019	BDA DS



SECTION A-A



SECTION B-B

1 PREPRODUCTION ONLY: AGENCY APPROVAL IS PENDING.

RED	NYLON VO	1-480054-5	1
BLACK	NYLON VO	1-480054-4	1
NATURAL	NYLON VO	1-480054-3	1
RED	6/6 NYLON	480054-5	
BLACK	6/6 NYLON	480054-4	
NATURAL	6/6 NYLON	480054-3	
BLACK	CYCOLAC	480054-2	
COLOR	MATERIAL	PART NO.	

OBSOLETE

THIS DRAWING IS A CONTROLLED DOCUMENT.		DWN	JR RUTH	08/JAN/99	TE Connectivity								
DIMENSIONS: mm [INCHES]		CHK	MS FEHER	08/JAN/99									
		APVD	S HEADER	08/JAN/99									
TOLERANCES UNLESS OTHERWISE SPECIFIED: 0 PLC ± - 1 PLC ± - 2 PLC ± 0.38 [.015] 3 PLC ± - 4 PLC ± - ANGLES ± -		NAME		HOUSING, RECEPT, FASTIN-FASTON, SINGLE CIRCUIT, 6.35 [.250] SERIES									
MATERIAL	SEE TABLE	FINISH	SEE TABLE	WEIGHT	-	SIZE	A3	CAGE CODE	00779	DRAWING NO	C-480054	RESTRICTED TO	-
CUSTOMER DRAWING						SCALE	3:1	SHEET	1 OF 1	REV	U2		