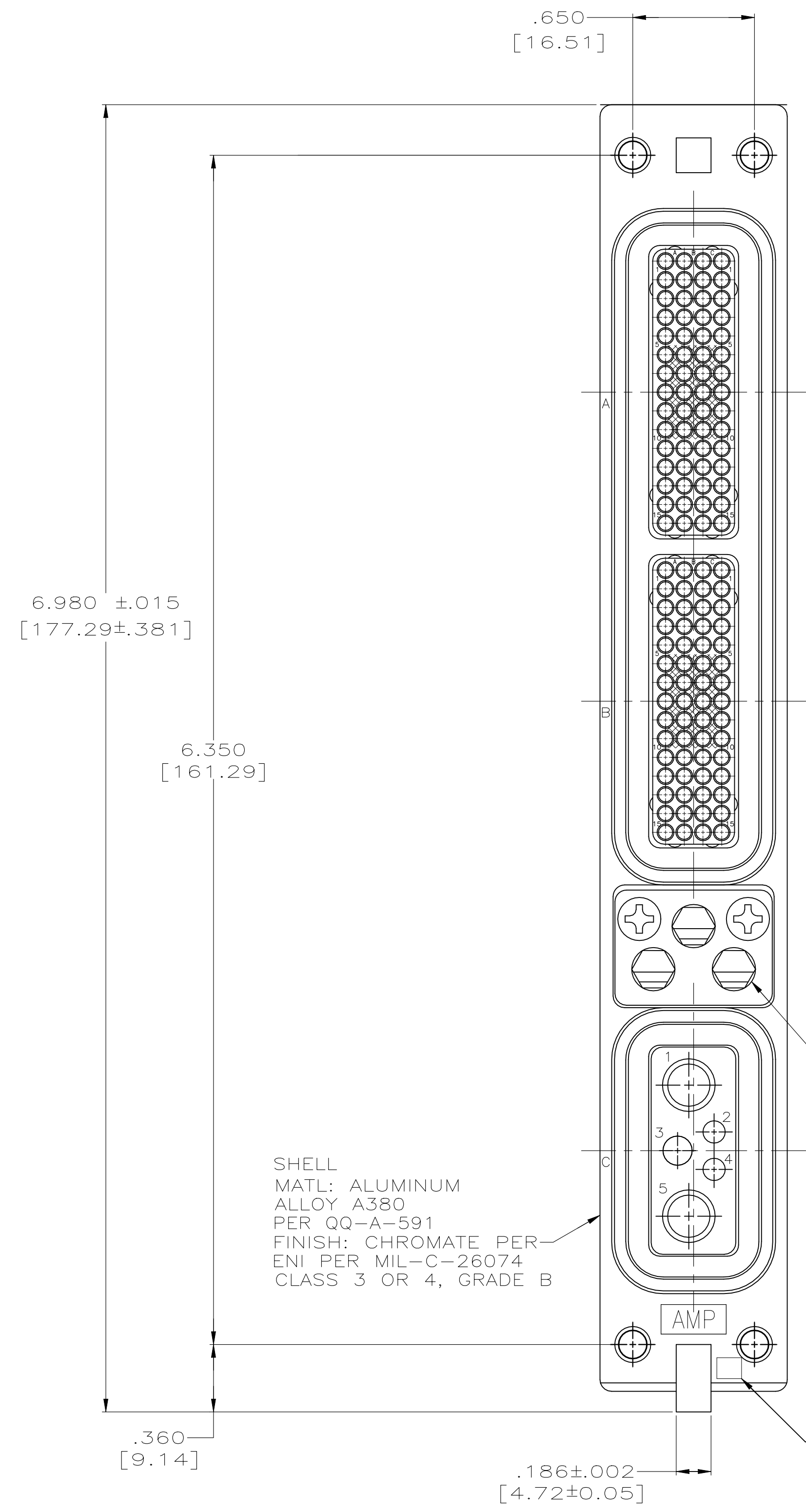
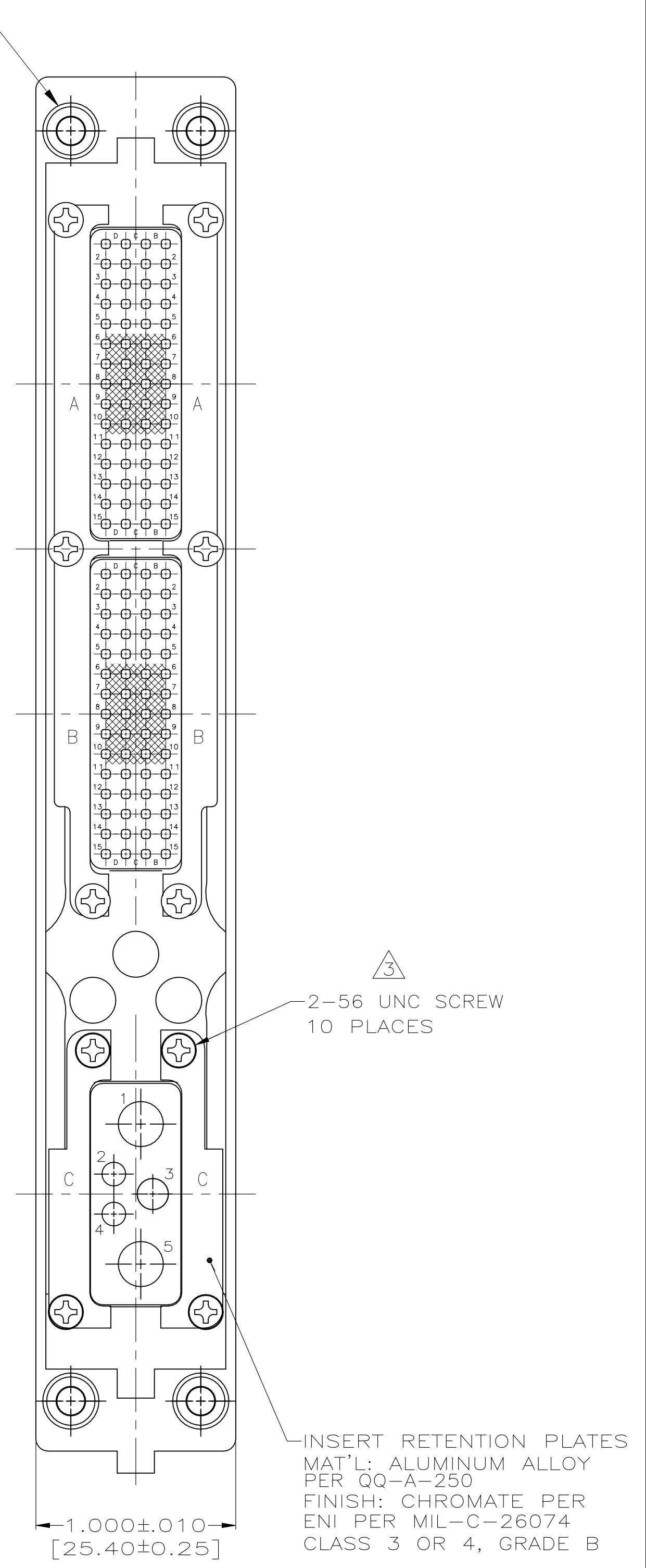
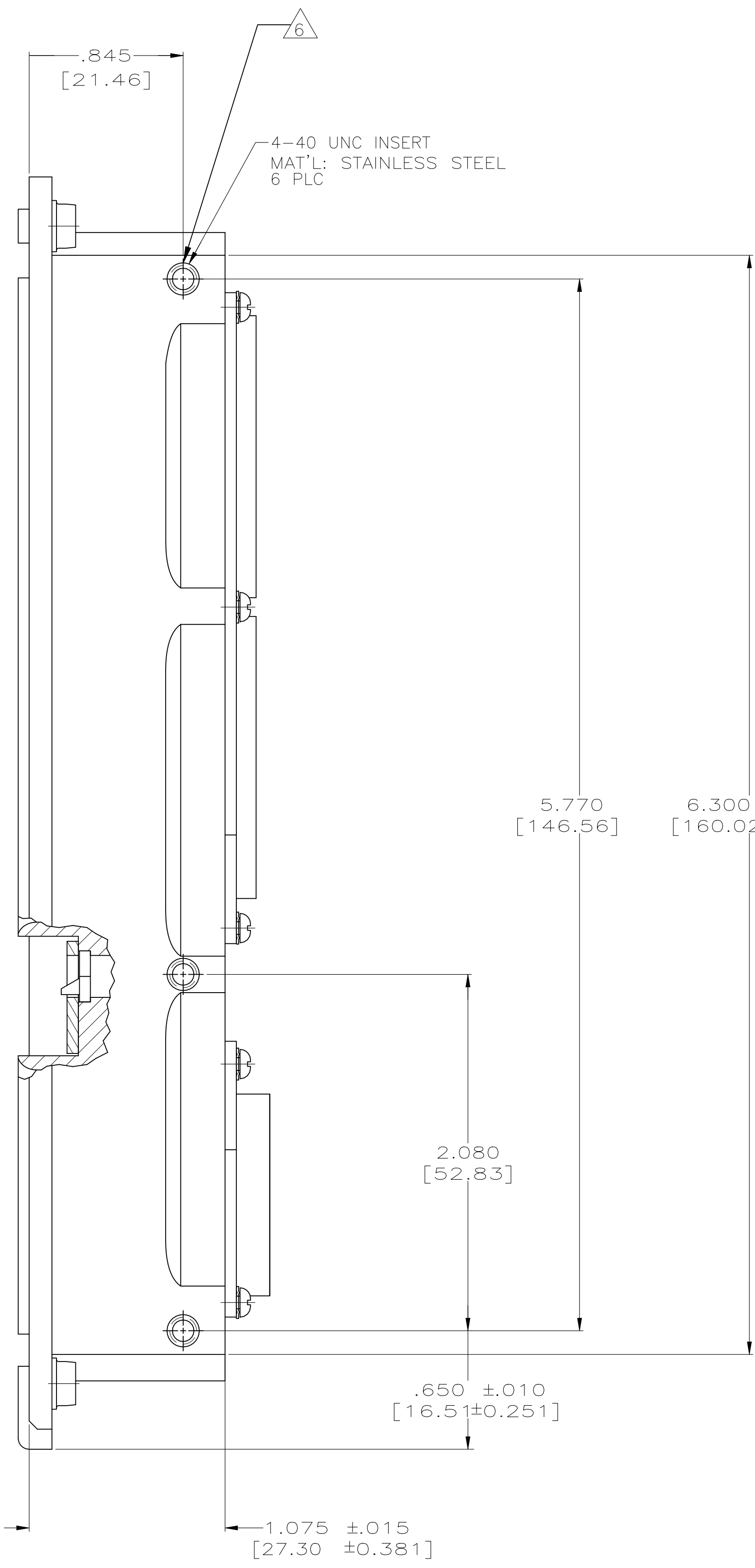


REVISIONS					
P	LTR	DESCRIPTION	DATE	DN	APVD
D	REV PER ECO	17-011000	7-31-17	CT	EO
E	REV PER ECN	22-150903	4-26-22	AM	FN



SHELL
 MAT'L: ALUMINUM ALLOY A380 PER QQ-A-591
 FINISH: CHROMATE PER ENI PER MIL-C-26074 CLASS 3 OR 4, GRADE B

POLARIZATION KEYWAYS
 MAT'L: ZINC ALLOY PER ASTM-B-86
 RETAINER PLATE
 MAT'L: ALUMINUM ALLOY PER AMS-QQ-A-250
 FINISH: BLUE ANODIZED PER MIL-A-8625



- PARTS MEET THE REQUIREMENTS OF THE ARINC 600 SPECIFICATION.
- NO CONTACTS ARE INCLUDED WITH THE CONNECTOR
- RETAINER PLATE SCREWS ARE PAN HEAD STYLE.
- KEYING HARDWARE SUPPLIED UNASSEMBLED.
- DUST COVER (NOT SHOWN) INSTALLED FOR SHIPPING MATERIAL: CONDUCTIVE THERMOPLASTIC.
- SELF LOCKING ON INTERNAL THREAD #4-40 WITH 5 LB-IN MAXIMUM THREADING TORQUE

NOTES	C MODULE	B MODULE	A MODULE	PART NUMBER
2, 3, 6	REAR RELEASE 13C2 PIN	FRONT RELEASE 60 SOCKET	FRONT RELEASE 60 SOCKET	448705-2
2, 3	REAR RELEASE 13C2 PIN	FRONT RELEASE 60 SOCKET	FRONT RELEASE 60 SOCKET	448705-1

THIS DRAWING IS A CONTROLLED DOCUMENT.		DIN N. FRITZ 12-3-92	STE TE Connectivity	
DIMENSIONS: INCHES		CHK S. WRIGHT 12-4-92		
TOLERANCES UNLESS OTHERWISE SPECIFIED:		APVD	NAME	
0 PLC ± -		PRODUCT SPEC		RECEPTACLE ASSEMBLY, SIZE ONE ARINC 600, FRONT RELEASE
1 PLC ± -		APPLICATION SPEC		
2 PLC ± -		SIZE		
3 PLC ± .005 [0.13]		CAGE CODE DRAWING NO		
4 PLC ± -		WEIGHT 0.000000		RESTRICTED TO
ANGLES ± -		A1 00779 C=448705		SCALE 2:1 SHEET 1 of 1 REV E
MATERIAL SEE CALLOUT		FINISH SEE CALLOUT		CUSTOMER DRAWING