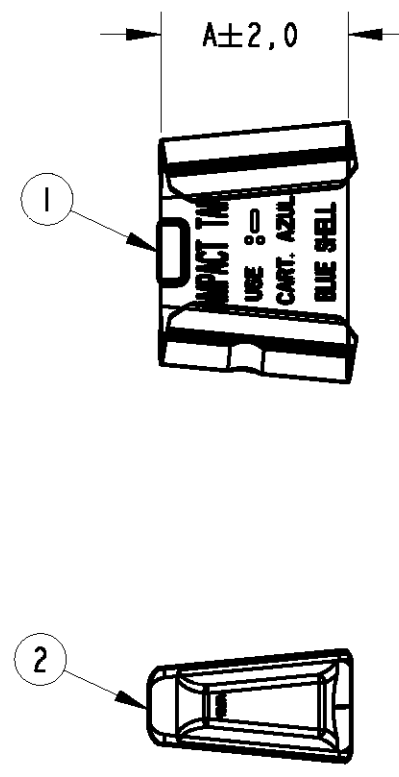
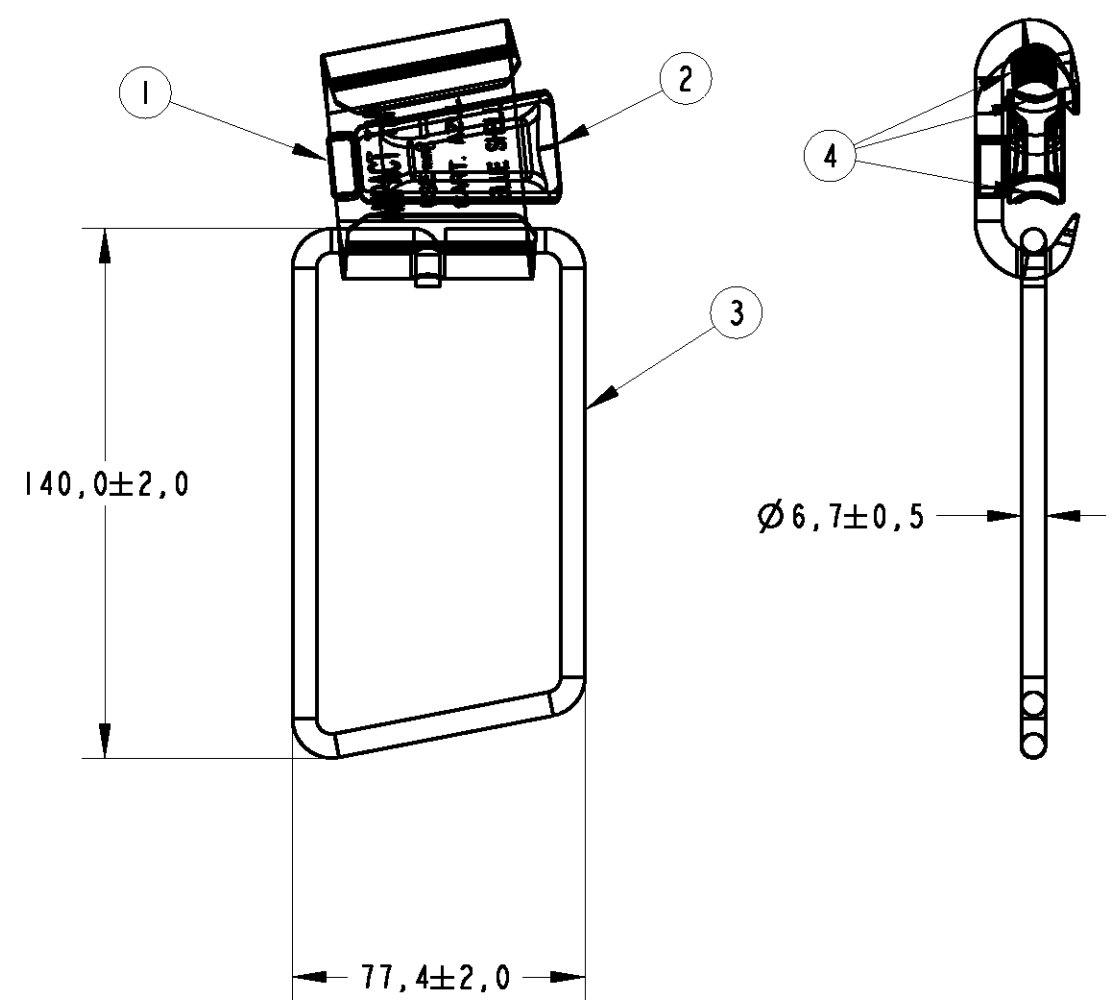


THIS DRAWING IS UNPUBLISHED. RELEASED FOR PUBLICATION .19 .
 © COPYRIGHT 19 BY AMP INCORPORATED. ALL RIGHTS RESERVED.

LOC	DIST	REVISIONS			
P	LTR	DESCRIPTION	DATE	DWN	APVD
AP	-	D	REVISED BY EC LE10-0149/04	11AUG2004	GO WB



- 1 - SUPPLIED IN INDIVIDUAL PLASTIC PACKAGING.
- 2 - COMPONENTS DIMENSIONS AND MAJOR RUN CABLE:

PN. ASS'Y	DIM. "A"	DIM. "B"	RUN CABLE
444749-1	50,8	54,0	336,4 MCM
444749-2	41,2	50,8	95 mm ²
444749-3	41,2	50,8	150 mm ²
444749-4	50,8	54,0	185mm ²

- 1 - FORNECIDO EM EMBALAGEM PLÁSTICA INDIVIDUAL.
- 2 - DIMENSÕES DOS COMPONENTES E CABOS PRINCIPAIS USUAIS.

OBSOLETE

REQ. PER ASSY	ITEM	DESCRIPTION	MATERIAL	FINISH			
1	4	SYNTHETIC INHIBITOR	—	—			
1	3	STIRRUP LARGE	COPPER	TIN PLATED			
1	2	AMPACT WEDGE MEMBER BLUE I	ALUMINIUM ALLOY	UNPLATED			
1	2	AMPACT WEDGE MEMBER BLUE II	ALUMINIUM ALLOY	UNPLATED			
1	1	AMPACT "C" MEMBER BLUE I	ALUMINIUM ALLOY	UNPLATED			
1	1	AMPACT "C" MEMBER BLUE II	ALUMINIUM ALLOY	UNPLATED			
-4	-3	-2	-1	ITEM	DESCRIPTION	MATERIAL	FINISH
444749							

<small>THIS DRAWING IS A CONTROLLED DOCUMENT FOR AMP INCORPORATED. IT IS SUBJECT TO CHANGE AND THE CONTROLLING ENGINEERING ORGANIZATION SHOULD BE CONTACTED FOR THE LATEST REVISION.</small>		DWN W. BELLINI JR. 24OCT96 CHK J.A. LA SALVIA APVD J. ROOSDORP	AMP AMP do Brasil Ltda. São Paulo, Brasil
DIMENSIONS: mm 	TOLERANCES UNLESS OTHERWISE SPECIFIED: 0 PLC ± 1 PLC ± 2 PLC ± 3 PLC ± 4 PLC ± ANGLES ±	PRODUCT SPEC - APPLICATION SPEC - WEIGHT -	NAME AMPACT FOR STIRRUP ASS'Y SIZE A3 CAGE CODE 00779 DRAWING NO 444749
MATERIAL SEE TABLE	FINISH SEE TABLE	CUSTOMER DRAWING	SCALE 1:2 SHEET 1 OF 1 REV D