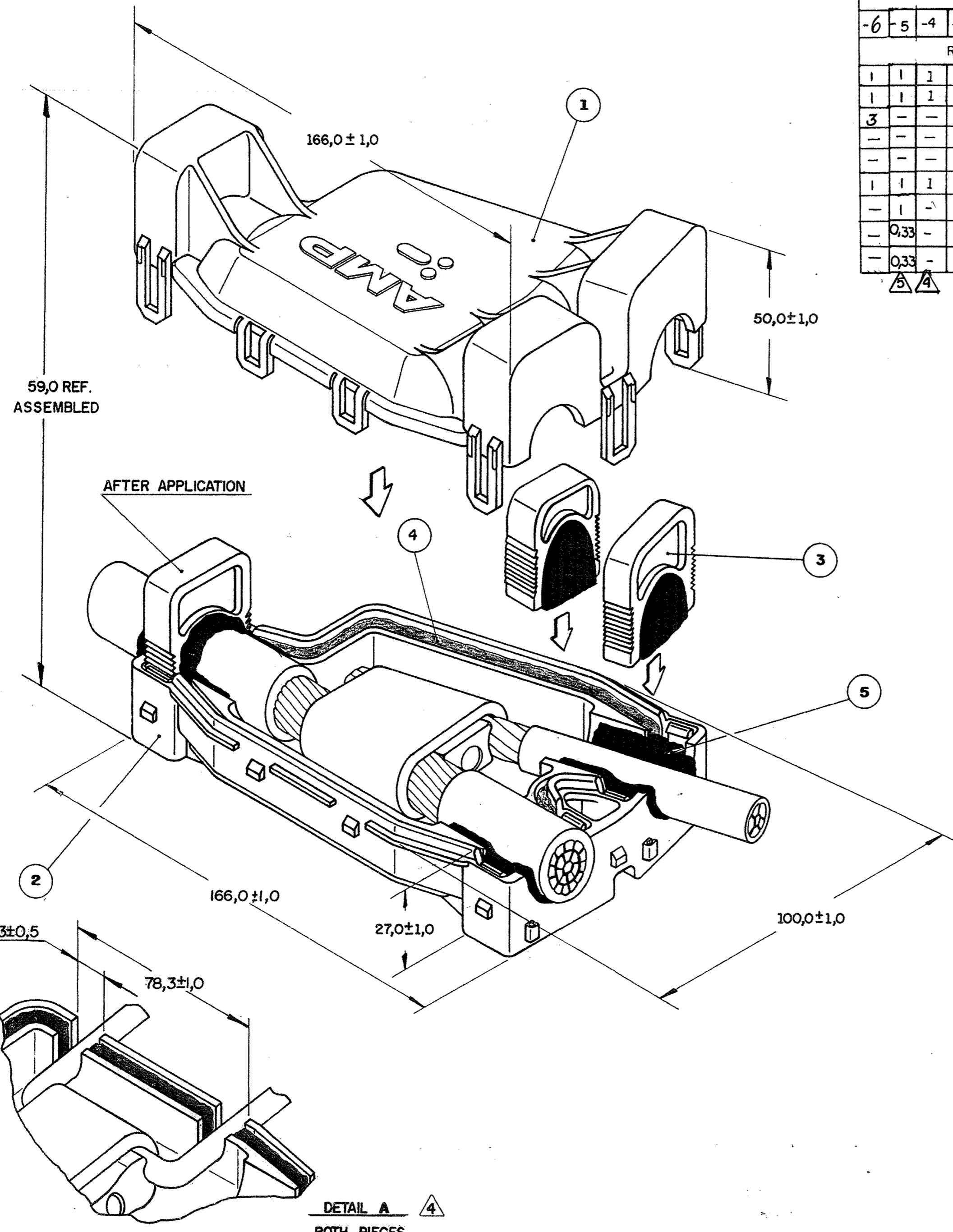


SHEET 1 OF 1
C 444 423

DWG NO. 444 423						DO NOT SCALE		METRIC		3rd ANGLE PROJECTION	
-6	-5	-4	-3	-2	-1	DIMENSIONS IN mm.					
REQ. PER ASSY						ITEM	DESCRIPTION	MATERIAL	FINISH		
1	1	1	1	1	1	①	COVER, LARGE	PLASTIC UV RESISTANT			
1	1	1	1	1	1	②	BODY, LARGE				
3	-	-	-	3	3	③	CABLE CLAMP, LARGE				
-	-	-	-	13g	13g	④	SEALANT		TYP. QUANTITIES Δ		
-	-	-	-	80g	60g	⑤	SEALANT, PAD				
1	1	1	1	1	1	-	PLASTIC BAG				
-	1	-	-	-	-	-	PLASTIC BAG				
-	0,33	-	-	-	-	⑥	INSTRUCTION SHEET				
-	0,33	-	-	-	-	⑦ Δ	SPECIAL APPLICATION PROC.				



NOTES:

- 1 - SUPPLIED IN INDIVIDUAL PLASTIC BAG.
- 2 - USED FOR AMPACT BLUE SERIES.
- Δ - TYPICAL QUANTITIES JUST FOR REFERENCE
- Δ - USED FOR STIRRUP ASSEMBLY (STIRRUP NOT SUPPLIED), SEE DETAIL A
- Δ - FOR CPFL CUSTOMER ONLY.

W/O STIRRUP SLOT	SEE TABLE	444423-6	
W/O STIRRUP SLOT	SEE TABLE	444423-5	
W/STIRRUP SLOT	SEE TABLE	444423-4	
W/O STIRRUP SLOT	SEE TABLE	444423-3	
W/STIRRUP SLOT	SEE TABLE	444423-2	
W/O STIRRUP SLOT	SEE TABLE	444423-1	
REMARKS	FINISH	MATERIAL	P.N.
CUSTOMER DWG for REFERENCE ONLY			
THIS DRAWING IS UNPUBLISHED. RELEASED FOR PUBLICATION.			
COPYRIGHT © 1984 BY AMP DO BRASIL LTDA S.P. ALL INTERNATIONAL RIGHTS RESERVED. AMP PRODUCTS MAY BE COVERED BY U.S. AND FOREIGN PATENTS AND/OR PATENTS PENDING.			
TOLERANCES UNLESS OTHERWISE STATED		INS DIA RANGE	WIRE RANGE
DEC ±0,3			SCALE
ANGLES ±1°			
DR <i>FALLO</i> 18-07-84		AMP AMP do BRASIL LTDA. São Paulo, Brasil	
CHK <i>J. A. LA SALVA</i> 18-07-84		DESCRIPTION PROTECTIVE COVER, MEDIUM VOLTAGE LARGE SIZE ASS'Y	
DE.			
H. REVISOR BY <i>EPO</i> 05-01-92		DWC NO	
ISS	REVISION RECORD	APP	M.E. Diniz
ECH	CHK	DATE	
A2		C 444 423	
SHEET			1 OF 1