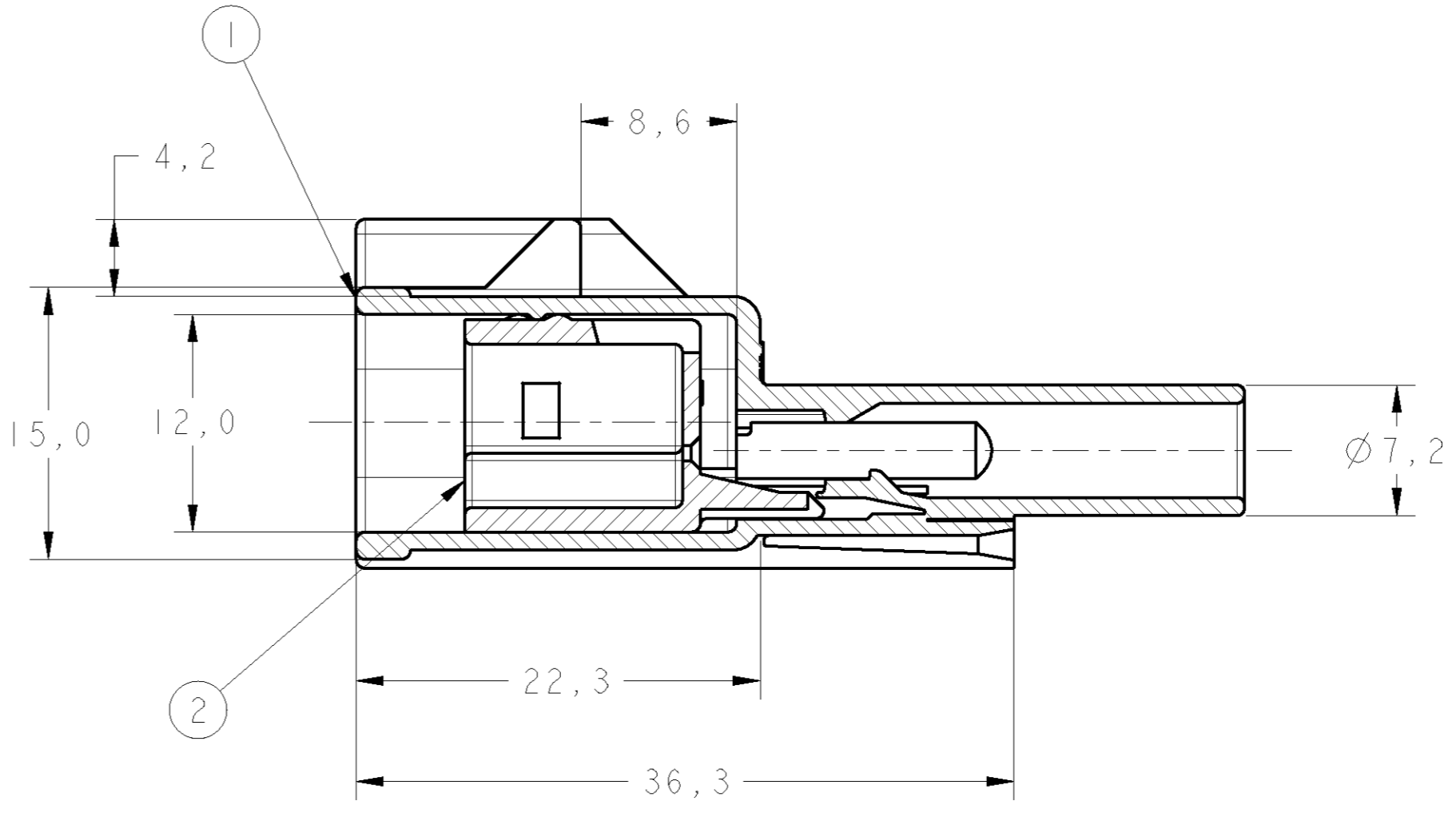
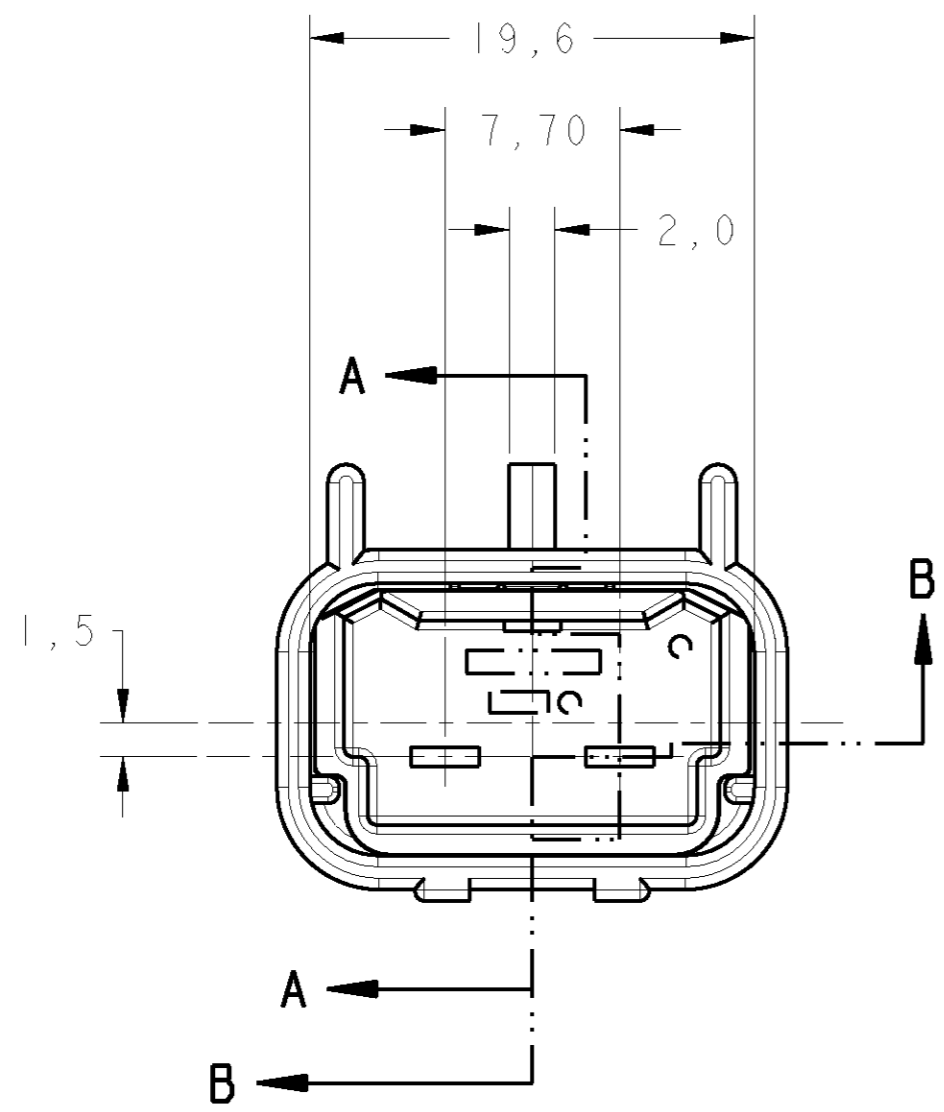
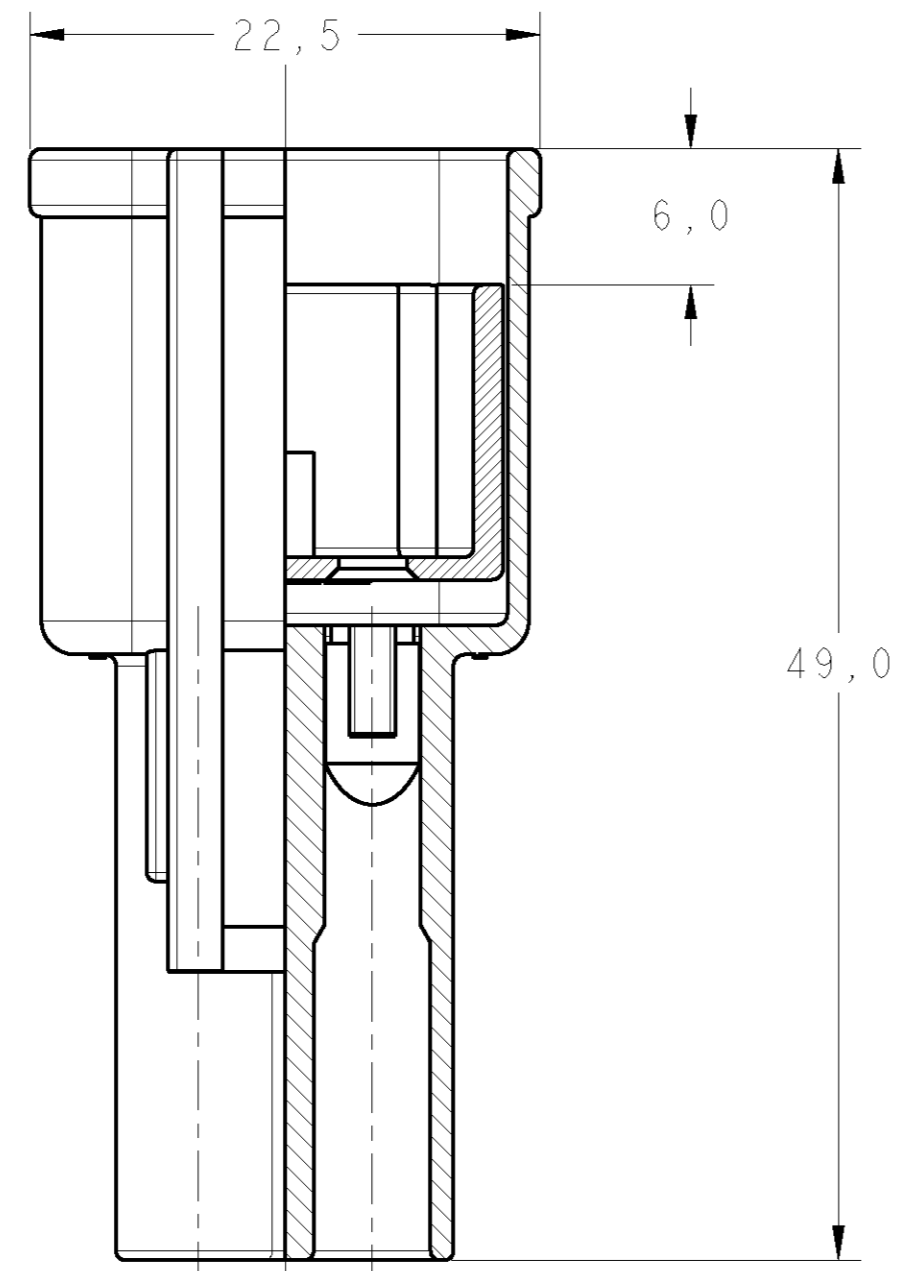


THIS DRAWING IS UNPUBLISHED. RELEASED FOR PUBLICATION 20
 © COPYRIGHT 20 BY TYCO ELECTRONICS CORPORATION. ALL RIGHTS RESERVED.

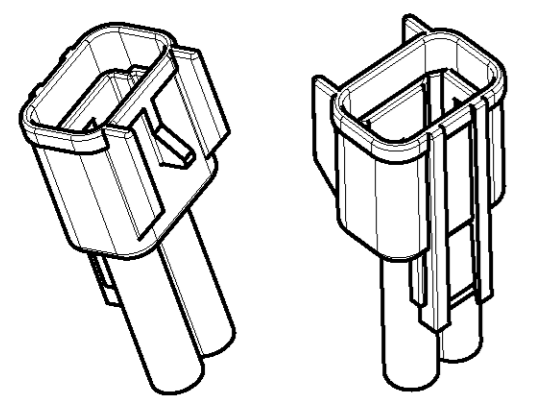
LOC		DIST		REVISIONS			
P	LTR	DESCRIPTION	DATE	DWN	APVD		
AP	-						
A2		REDRAW BY CAD ECO-09-008963	24APR2009	NCL	CGM		
A3		REVISED BY ECO-10-001967	04FEB2010	RKTL	CGM		



SECTION A-A



SECTION B-B



PERSPECTIVE VIEWS
SCALE 1:1

I- CONTRA PEÇA NÚMERO: 444241
 - MATING PART NUMBER: 444241

GRAVAÇÕES MARKINGS
LOGOTIPO TE TE LOGO
CÓDIGO PAÍS PRODUTOR MANUFACTURER COUNTRY CODE
NOMENCLATURA MATERIAL MATERIAL NOMENCLATURE
NÚMERO COMPONENTE TE TE COMPONENT NUMBER
NÚMERO CAVIDADE CAVITY NUMBER
IDENTIFICAÇÃO CIRCUITO CIRCUIT IDENTIFICATION
PAÍS PRODUTOR MANUFACTURER COUNTRY

REQ. PER ASSY	ITEM	DESCRIPTION	MATERIAL	FINISH	
	1	2	SPACER, 2 POSN., JUNIOR POWER TIMER	PA 6.6	AMARELO / YELLOW
	1	1	HOUSING, 2 POSN., JUNIOR POWER TIMER TAB.	PA 6.6	PRETO / BLACK
444245	-1	ITEM	DESCRIPTION	MATERIAL	FINISH

THIS DRAWING IS A CONTROLLED DOCUMENT FOR TYCO ELECTRONICS CORPORATION IT IS SUBJECT TO CHANGE AND THE CONTROLLING ENGINEERING ORGANIZATION SHOULD BE CONTACTED FOR THE LATEST REVISION.		DWN NCLAPRESA 24APR2009 CHK - 24APR2009 APVD CGMARTINS 24APR2009	Tyco Electronics TYCO ELECTRONICS Brasil LTDA. Sao Paulo, Brasil
DIMENSIONS: mm 	TOLERANCES UNLESS OTHERWISE SPECIFIED: 0 PLC ± 1 PLC ±0,3 2 PLC ± 3 PLC ± 4 PLC ± ANGLES ±° FINISH	PRODUCT SPEC APPLICATION SPEC WEIGHT -	NAME HOUSING ASSY., 2 POSN., JUNIOR POWER TIMER TAB. SIZE CAGE CODE DRAWING NO RESTRICTED TO A200779 C-444245 -
SEE TABLE	SEE TABLE	CUSTOMER DRAWING	SCALE 3:1 SHEET 1 OF 1 REV A3