
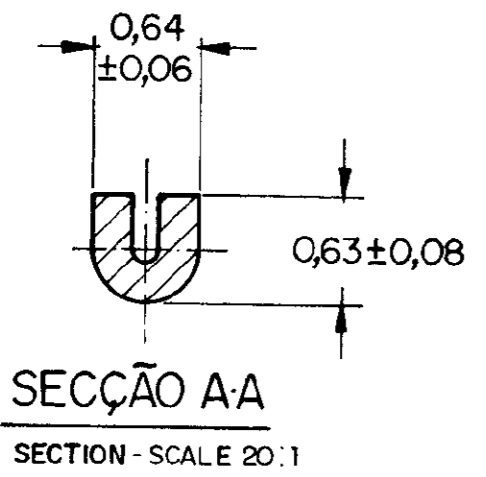
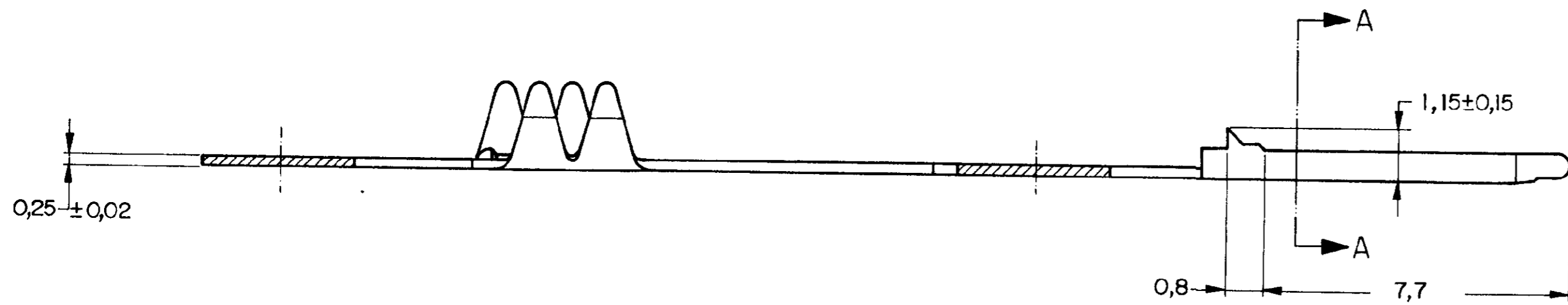
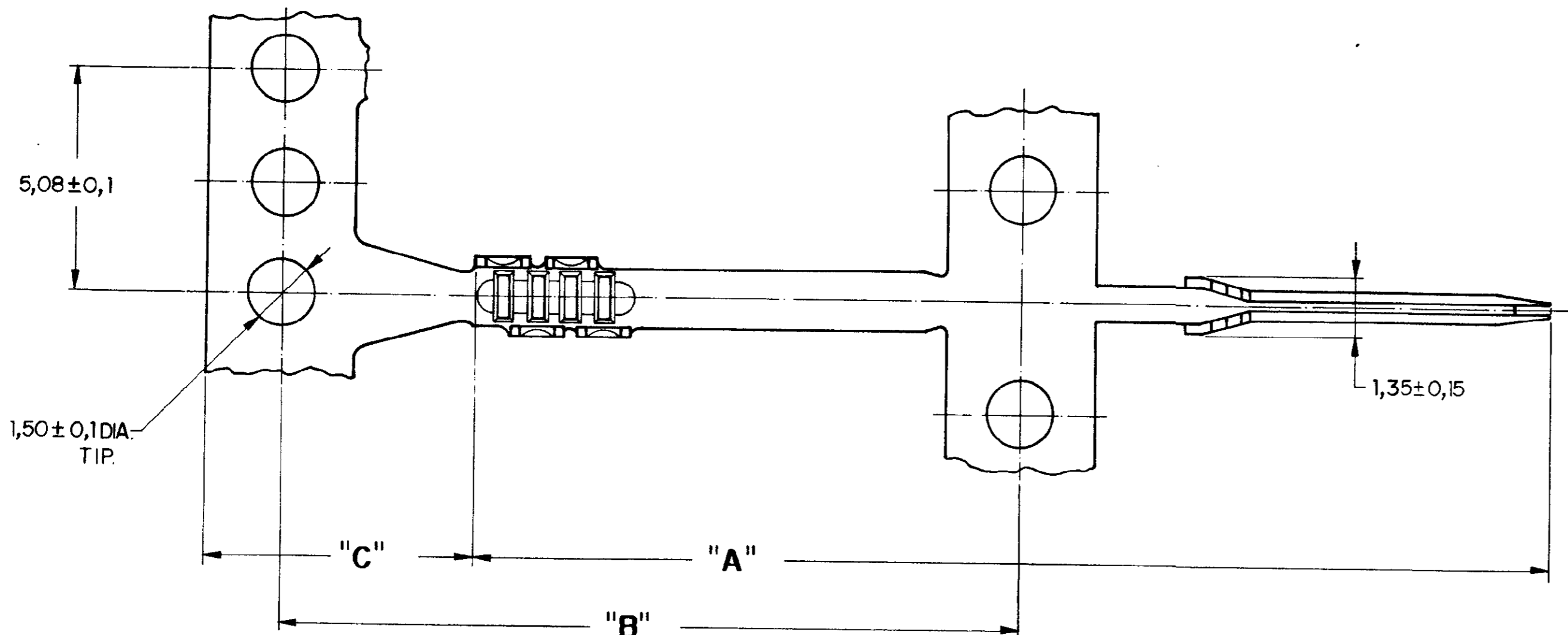


C444194

DWG NO	DO NOT SCALE			 3rd ANGLE PROJECTION
	DIMENSIONS IN mm.			
PART NUMBER	DIMENSION "A"	DIMENSION "B"	DIMENSION "C"	
444 194 - 1	26,4	16,9	5,0	
444 194 - 2	26,4	16,9	5,0	



LATÃO / BRASS		444 194 - 2
PRÉ-ESTANHADO / PRE-TIN		444 194 - 1
FINISH	MATERIAL	PART NUMBER
<b>CUSTOMER DWG</b> for REFERENCE ONLY		
<small>THIS DRAWING IS UNPUBLISHED AND NOT TO BE REPRODUCED OR TRANSMITTED IN ANY FORM OR BY ANY MEANS, ELECTRONIC OR MECHANICAL, INCLUDING PHOTOCOPYING, RECORDING, OR BY ANY INFORMATION STORAGE AND RETRIEVAL SYSTEM.</small>		
<small>TOLERANCES UNLESS OTHERWISE STATED: DEC: ±0,2 ANGLES: ±10</small>		
<small>SCALE: 10:1</small>		
<b>AMP</b> AMP do BRASIL LTDA. São Paulo, Brasil		
DESCRIPTION: TERMINAL FFC 063 LONG		
A2 DWG. NO. C 444194		SHEET 1 of 1

REVISION RECORD	ECN	DR	DATE	APP
A ADICIONADO 444194-2	164-97	MRS. J. GOMES	01-02-93	J. GOMES
O ERA P92-29310	-1-	PF	01-02-93	J. GOMES