

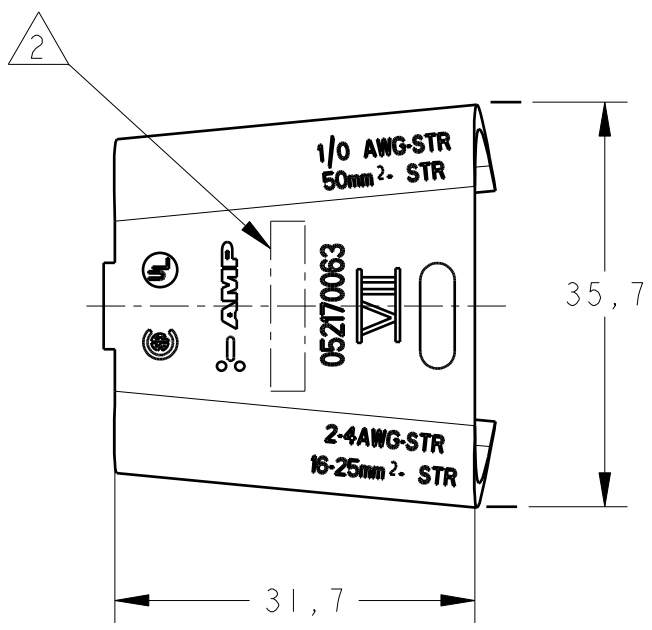
THIS DRAWING IS UNPUBLISHED.

RELEASED FOR PUBLICATION

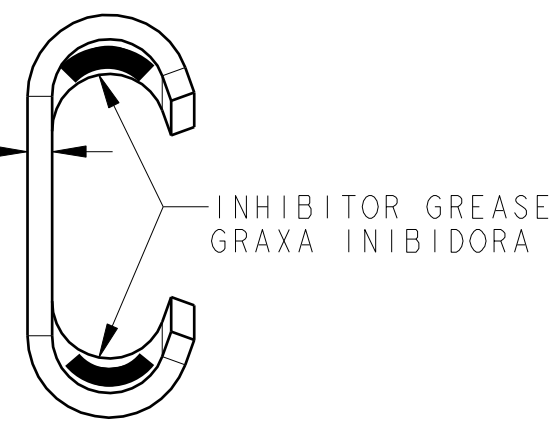
20

© COPYRIGHT 20 BY TYCO ELECTRONICS CORPORATION. ALL RIGHTS RESERVED.

LOC	DIST	REVISIONS						
		P	LTR	DESCRIPTION	DATE	DWN	APVD	
AP	-			H1	REDRAW BY ECR-05-010312	01SEP2005	GO	WB
				H2	ECO-07-020223	08JAN2008	GO	WB
				H3	ECO-09-003259	11MAR2009	GO	WB

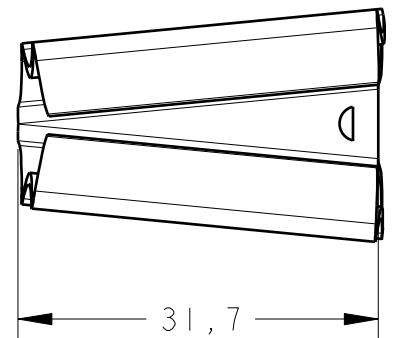


2,10 ±0,15

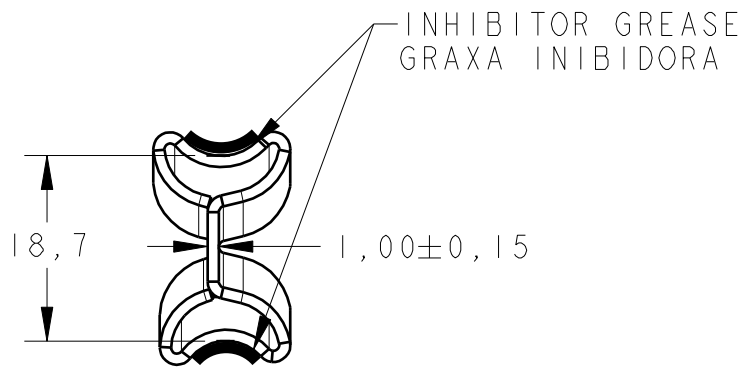


INHIBITOR GREASE GRAXA INIBIDORA

"C" MEMBER



"WEDGE" MEMBER



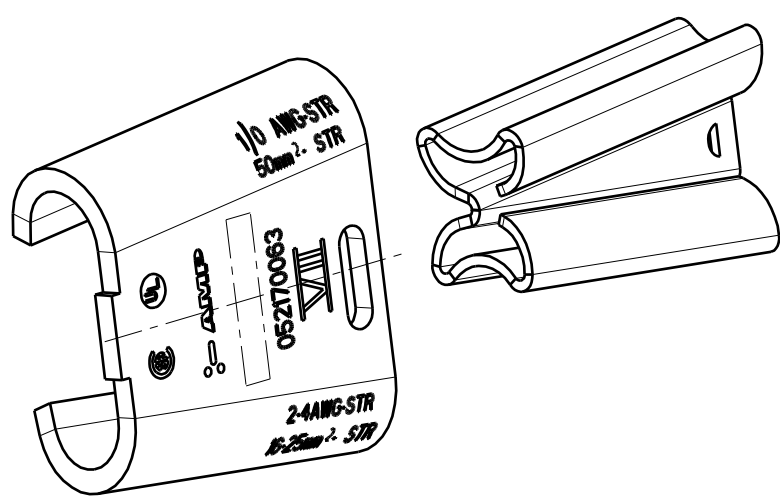
INHIBITOR GREASE GRAXA INIBIDORA

18,7

- 1 - SUPPLIED IN INDIVIDUAL PLASTIC PACKAGING.
- 2 - DASH ACCORDING TO MARKET
 - 1 - EXTERNAL MARKET
 - 2 - LOCAL MARKET
- 3 - DASH -3 IS THE SAME DASH -2 FOR ELEKTRO CUSTOMER ONLY.

- 1 - FORNECIDO EM EMBALAGEM PLASTICA INDIVIDUAL.
- 2 - TRAÇO DE ACORDO COM O MERCADO
 - 1 - MERCADO EXTERNO
 - 2 - MERCADO LOCAL
- 3 - TRAÇO -3 É IGUAL AO TRAÇO -2. SOMENTE PARA O CLIENTE ELEKTRO.

16,78	14,02	10,11	4,66	8,30	4,66	ESTANHADO TIN PLATED	LIGA DE COBRE COPPER ALLOY	444033-3
16,78	14,02	10,11	4,66	8,30	4,66	ESTANHADO TIN PLATED	LIGA DE COBRE COPPER ALLOY	444033-2
16,78	14,02	10,11	4,66	8,30	4,66	ESTANHADO TIN PLATED	LIGA DE COBRE COPPER ALLOY	444033-1
MAX.	MIN.	MAX.	MIN.	MAX.	MIN.			
SOMA DOS DIÂMETROS SUM		CABO PRINCIPAL TOP GROVE		CABO DERIVAÇÃO BOTTOM GROVE		FINISH	MATERIAL	PART NUMBER
DIÂMETRO LIMITE DOS CABOS WIRE DIAMETER LIMITE								



THIS DRAWING IS A CONTROLLED DOCUMENT FOR TYCO ELECTRONICS CORPORATION IT IS SUBJECT TO CHANGE AND THE CONTROLLING ENGINEERING ORGANIZATION SHOULD BE CONTACTED FOR THE LATEST REVISION.

DIMENSIONS: mm	TOLERANCES UNLESS OTHERWISE SPECIFIED:	DWN: G. DE OLIVEIRA 01SEP2005	Tyco Electronics São Paulo - Brasil
	0 PLC ± 1 PLC ±1,5 2 PLC ± 3 PLC ± 4 PLC ± ANGLES ±	CHK: WALTER BELLINI JR. 01SEP2005	
MATERIAL: SEE TABLE	FINISH: SEE TABLE	APVD: RUY P. LEMF 01SEP2005	NAME: U.D. CONNECTOR ASS'Y, TYPE VII, REINFORCED
		PRODUCT SPEC: 108-37019	SIZE: A3
		APPLICATION SPEC: 411-37014	CAGE CODE: 00779
		WEIGHT: -	DRAWING NO: C-444033
CUSTOMER DRAWING			RESTRICTED TO: -
SCALE: -			SHEET: 1 OF 1
			REV: H3