

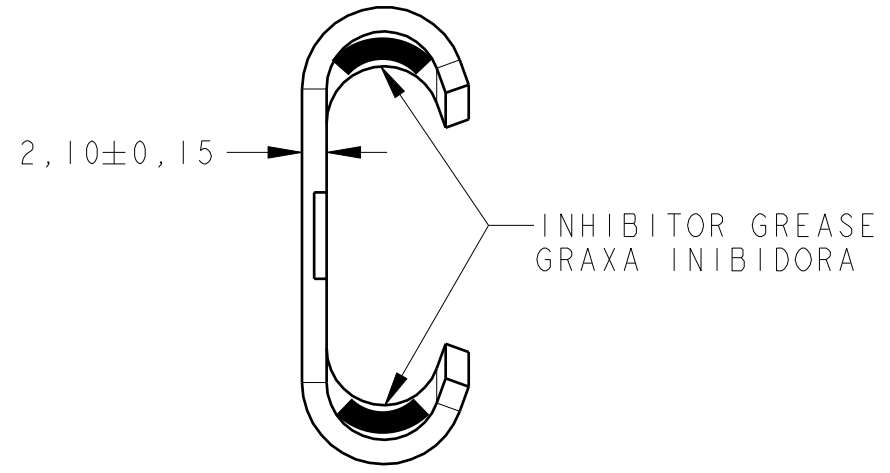
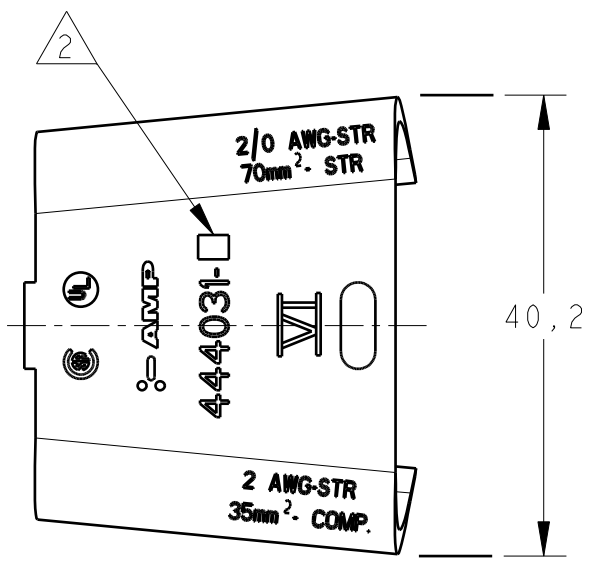
THIS DRAWING IS UNPUBLISHED.

RELEASED FOR PUBLICATION

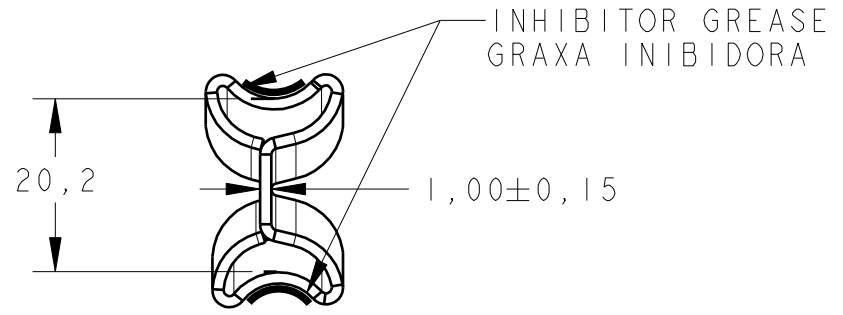
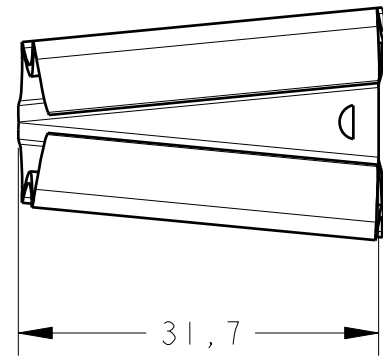
20

© COPYRIGHT 20 BY TYCO ELECTRONICS CORPORATION. ALL RIGHTS RESERVED.

LOC	DIST	REVISIONS					
		P	LTR	DESCRIPTION	DATE	DWN	APVD
AP	-		G1	REDRAW BY ECR-05-010312	31AUG2005	GO	WB
			G2	ECO-07-020223	08JAN2008	GO	WB
			G3	ECO-09-003259	11MAR2009	GO	WB



"C" MEMBER

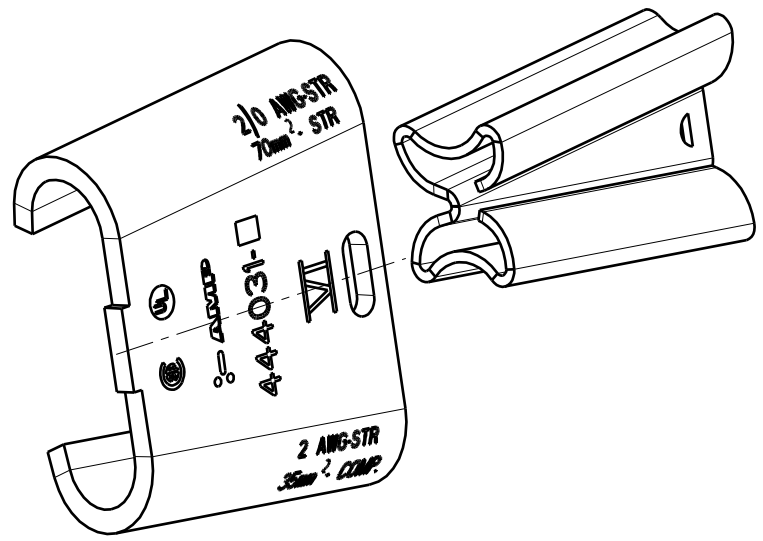


"WEDGE" MEMBER

- 1 - SUPPLIED IN INDIVIDUAL PLASTIC PACKAGING.
- △2 - DASH ACCORDING TO MARKET
 - 1 - EXTERNAL MARKET
 - 2 - LOCAL MARKET
- △3 - DASH -3 IS THE SAME DASH 2. FOR ELEKTRO CUSTOMER ONLY.

- 1 - FORNECIDO EM EMBALAGEM PLASTICA INDIVIDUAL.
- △2 - TRAÇO DE ACORDO COM O MERCADO
 - 1 - MERCADO EXTERNO
 - 2 - MERCADO LOCAL
- △3 - TRAÇO -3 É IGUAL AO TRAÇO -2. SOMENTE PARA O CLIENTE CPFL.

18,72	16,79	10,61	8,01	9,36	6,54	ESTANHADO TIN PLATED	LIGA DE COBRE COPPER ALLOY	444031-3 △3
18,72	16,79	10,61	8,01	9,36	6,54	ESTANHADO TIN PLATED	LIGA DE COBRE COPPER ALLOY	444031-2
18,72	16,79	10,61	8,01	9,36	6,54	ESTANHADO TIN PLATED	LIGA DE COBRE COPPER ALLOY	444031-1
MAX.	MIN.	MAX.	MIN.	MAX.	MIN.			
SOMA DOS DIÂMETROS SUM		CABO PRINCIPAL TOP GROVE		CABO DERIVAÇÃO BOTTOM GROVE		FINISH	MATERIAL	PART NUMBER
DIÂMETRO LIMITE DOS CABOS WIRE DIAMETER LIMITE								



THIS DRAWING IS A CONTROLLED DOCUMENT FOR TYCO ELECTRONICS CORPORATION IT IS SUBJECT TO CHANGE AND THE CONTROLLING ENGINEERING ORGANIZATION SHOULD BE CONTACTED FOR THE LATEST REVISION.

DIMENSIONS:	TOLERANCES UNLESS OTHERWISE SPECIFIED:	DWN	31AUG2005	Tyco Electronics Brasil Ltda São Paulo - Brasil			
mm		CHK	31AUG2005				
		APVD	31AUG2005				
		PRODUCT SPEC					
		APPLICATION SPEC		NAME			
				U.D.CONNECTOR ASS'Y, TYPE VI, REINFORCED.			
MATERIAL	SEE TABLE	FINISH	SEE TABLE	SIZE	CAGE CODE	DRAWING NO	RESTRICTED TO
				A3	00779	C=444031	-
CUSTOMER DRAWING				SCALE	SHEET	OF	REV
				-	1	1	G3